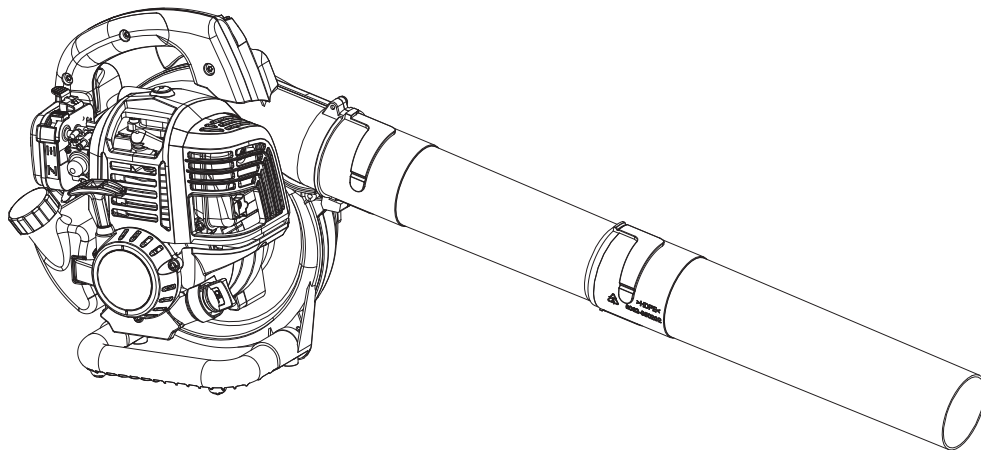




4-Cycle 1.62 cu in. (26.5 cc) Engine Handheld Blower

Operator's manual

Model: BL4QL-L



For customer support, please call 1-800-261-3981 or send email to:

Service@senixtools.com

SAVE THIS MANUAL FOR FUTURE REFERENCE.

8458-9502014-001

CONTENTS

TECHNICAL DATA.....2
 IMPORTANT SAFETY INSTRUCTIONS.....3
 SAFETY & INTERNATIONAL SYMBOLS.....5
 USING THE RIGHT OIL.....8
 USING THE RIGHT FUEL.....8
 FUELING THE UNIT.....9
 STARTING AND STOPPING.....10
 HOLDING THE UNIT.....11
 TIPS FOR BEST RESULTS.....11
 CHECKING THE OIL LEVEL.....12
 MAINTENANCE SCHEDULE.....12
 CHANGING THE OIL.....13
 MAINTAINING THE AIR FILTER.....13
 ADJUSTING THE IDLE SPEED.....14
 MAINTAINING THE SPARK PLUG.....14
 CLEANING AND STORAGE.....15
 TROUBLESHOOTING.....16
 PARTS.....17
 WARRANTY.....19

TECHNICAL DATA

Model Number:	BL4QL-L
Engine Type:	Air-Cooled, 4-Cycle
Displacement:	1.62 cu in. (26.5 cc)
Spark Plug Gap:	0.025 in. - 0.31 in. (0.6 - 0.8 mm)
Lubrication:	SAE 30 Oil
Crankcase Lubrication Capacity:	2.03 oz. (60 ml)
Fuel Tank Capacity:	9.47 oz. (280 ml)
Approximate unit weight (no fuel):	9.26 lbs. (4.2 kg)
Air Blowing Speed:	125 MPH (55 m/s)
Volume of Air Moved:	410 CFM (697 m ³ /h)

The purpose of safety symbols is to attract your attention to possible dangers. The safety symbols, and their explanations, deserve your careful attention and understanding. The safety warnings do not by themselves eliminate any danger. The instructions or warnings they give are not substitutes for proper accident prevention measures.

! DANGER: Signals an **EXTREME** hazard. Failure to obey a safety **DANGER** symbol **WILL** result in serious injury or death to yourself or to others.

! WARNING: Crude oil, gasoline, diesel fuel and other petroleum products can expose you to chemicals including toluene and benzene, which are known to the State of California to cause cancer and birth defects or other reproductive harm. These exposures can occur in and around oil fields, refineries, chemical plants, transport and storage operations such as pipelines, marine terminals, tank trucks and other facilities and equipment. For more information go to: www.P65Warnings.ca.gov/petroleum.

! WARNING: Signals a **SERIOUS** hazard. Failure to obey a safety **WARNING** symbol **CAN** result in serious injury to yourself or to others.

! CAUTION: Signals a **MODERATE** hazard. Failure to obey a safety **CAUTION** symbol **MAY** result in property damage or injury to yourself or to others.

Note: Advises you of information or instructions vital to the operation or maintenance of the equipment.

SPARK ARRESTOR NOTE

NOTE: For users on U.S. Forest Land and in the states of California, Maine, Oregon and Washington. All U.S. Forest Land and the state of California (Public Resources Codes 4442 and 4443), Oregon and Washington require, by law that certain internal combustion engines operated on forest brush and/or grass-covered areas be equipped with a spark arrestor, maintained in effective working order, or the engine be constructed, equipped and maintained for the prevention of fire. Check with your state or local authorities for regulations pertaining to these requirements. Failure to follow these requirements could subject you to liability or a fine. This unit is factory equipped with a spark arrestor. If it requires replacement, contact a Sears Parts & Repair Service Center to install the appropriate muffler assembly. For location and purchase information call 1-888-331-4569.

CALIFORNIA PROPOSITION 65
! WARNING: This product contains a chemical known to the state of California to cause cancer, birth defects or other reproductive harm.

Read the operator’s manual and follow all warnings and safety instructions. Failure to do so can result in serious injury to the operator and/or bystanders.

IMPORTANT SAFETY INSTRUCTIONS

READ ALL INSTRUCTIONS BEFORE OPERATING

WARNING: When using the unit, all safety instructions must be followed. Please read these instructions before operating the unit in order to ensure the safety of the operator and any bystanders. Please keep these instructions for later use.

- Read the instructions carefully. Be familiar with the controls and proper use of the unit.
- Do not operate this unit when tired, ill or under the influence of alcohol, drugs or medication.
- Never allow children to operate the unit. Teens must be trained, accompanied and supervised by an adult. Never allow adults to operate the unit without proper instruction.
- All guards and safety attachments must be installed properly before operating the unit.
- Inspect the unit before use. Replace damaged parts. Check for fuel leaks. Make sure all fasteners are in place and secure. Replace parts that are cracked, chipped, or damaged in any way. Do not operate the unit with loose or damaged parts.
- Be aware of risk of injury to the head, hands and feet.
- Carefully inspect the area before starting the unit. Remove rocks, broken glass, nails, wire, string and other objects that may be thrown or become entangled with the unit.
- Clear the area of children, bystanders and pets; keep them outside a 50-foot (15 m) radius, at a minimum. Even then, they are still at risk from thrown objects. Encourage bystanders to wear eye protection. If you are approached, stop the unit immediately.
- Squeeze the throttle control and check that it returns automatically to the idle position. Make all adjustments or repairs before using the unit.
- Do not change the engine governor settings or overspeed the engine.
- This unit is intended for occasional, household use only.

SAFETY WARNINGS FOR GAS UNITS

WARNING: Gasoline is highly flammable and its vapors can explode if ignited. Take the following precautions:

- Store fuel only in containers specifically designed and

approved for the storage of such materials.

- Always stop the engine and allow it to cool before filling the tank. Never remove the fuel tank cap or add fuel when the engine is hot. Always loosen the fuel tank cap slowly to relieve any pressure in the tank before fueling.
- Always add fuel in a clean, well-ventilated outdoor area where there are no sparks or flames. DO NOT smoke.
- Never operate the unit without the fuel cap securely in place.
- Avoid creating a source of ignition for spilled fuel. Wipe up any spilled fuel from the unit immediately, before starting the unit. Move the unit at least 30 ft. (9.1 m) from the fueling source and site before starting the engine. DO NOT smoke.
- Never start or run the unit inside a closed room or building. Breathing exhaust fumes can kill. Operate this unit only in a wellventilated outdoor area.

WHILE OPERATING

- Wear safety glasses or goggles that meet current ANSI / ISEA Z87.1 standards and are marked as such. Wear ear/hearing protection when operating this unit. Wear a face mask or dust mask if the operation is dusty.
- Wear heavy long pants, boots, gloves and a long sleeve shirt. Do not wear loose clothing, jewelry, short pants, sandals or go barefoot. Secure hair above shoulder level.
- Use the unit only in daylight or good artificial light.
- Avoid accidental starting. Be in the starting position whenever pulling the starter rope. The operator and unit must be in a stable position while starting. Refer to Starting and Stopping.
- Use the right tool. Only use this tool for its intended purpose.
- Always hold the unit with both hands when operating. Keep a firm grip on both handles or grips.
- Do not overreach. Always keep proper footing and balance. Take extra care when working on stairs, steep slopes or inclines. To avoid serious injury, do not operate the unit while on a ladder or a roof.
- Keep hands, face, and feet away from all moving parts. Do not touch or try to stop moving parts.
- Do not touch the engine or muffler. These parts get extremely hot from operation, even after the unit is turned off.
- Do not operate the unit faster than the speed needed to

SAFETY

do the job. Do not run the unit at high speed when not in use.

- Do not force the unit. It will do a better, safer job when used at the intended rate.
- Always stop the unit when operation is delayed or when walking from one location to another.
- Before setting the unit down, always make sure the engine is off and all moving parts have stopped.
- If you strike or become entangled with a foreign object, stop the unit immediately and check for damage. Do not operate the unit before repairing damage. Do not operate the unit with loose or damaged parts.
- Turn the engine off and disconnect the spark plug for maintenance or repair.
- Use only original equipment manufacturer (OEM) replacement parts and accessories for this unit. Use of any other parts or accessories could lead to serious injury to the user, or damage to the unit, and void the warranty.
- Keep the unit clean. Carefully remove vegetation and other debris that could block moving parts.
- To reduce fire hazard, replace a faulty muffler and spark arrestor. Keep the engine and muffler free from grass, leaves, excessive grease or carbon build up.
- If the unit starts to vibrate abnormally, stop the unit immediately. Inspect the unit for the cause of the vibration. Vibration is generally an indicator of trouble.

BLOWER SAFETY

- Do not insert anything into the air openings, blower tube or nozzle. Do not operate the unit if any of the air openings or tubes are blocked. Keep the air openings free from dust, lint, hair and anything else that may reduce airflow.
- Do not operate the unit without the blower tube securely attached.
- Do not use the unit to spray liquids, especially flammable or combustible liquids, such as gasoline. Do not use the unit in areas where such liquids are present.
- Do not use the unit for spreading chemicals, fertilizer or any other substance that may contain toxic materials.
- Do not set the unit down on any surface while the unit is running. Debris can be picked up by the air intake and thrown out the discharge opening, resulting in damage to the unit or property or causing serious injury to bystanders or the operator.
- During operation, never point the unit in the direction of people, animals, windows or automobiles. Always direct blowing debris away from people, animals, windows or

automobiles.

- Use extra caution when blowing debris near solid objects, such as trees, walls, fences, etc. When possible, blow away from such objects, not toward them.
- Take care when working near valuable plants. The force of the blown air could damage tender plants.
- Never attempt to clear a clogged air intake opening while the unit is running.
- Keep hair, fingers and all other body parts away from moving parts and openings.












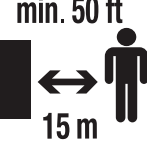




OTHER SAFETY WARNINGS

- Maintain the unit with care.
- All service, other than the maintenance procedures described in this manual, should be performed by a Sears or other qualified service dealer.
- Never remove, modify or make inoperative any safety device furnished with the unit.
- Before inspecting, servicing, cleaning, storing, transporting or replacing any parts on the unit:
 1. Stop the unit.
 2. Make sure all moving parts have stopped.
 3. Allow the unit to cool.
 4. Disconnect the spark plug wire.
- Secure the unit while transporting.
- Never store the unit with fuel in the tank, inside a building where fumes may reach an open flame (pilot lights, etc.) or sparks (switches, electrical motors, etc.).
- Store the unit in a dry place, secured or at a height to prevent unauthorized use or damage. Keep the unit out of the reach of children.
- Never douse or squirt the unit with water or any other liquid.
- Keep handles dry and clean (free from debris, oil and grease).
- Clean the unit after each use. Refer to Cleaning and Storage. Do not use solvents or strong detergents.
- Keep these instructions. Refer to them often and use them to instruct other users. If you loan this unit to others, also loan them these instructions.

SAVE THESE INSTRUCTIONS

SAFETY & INTERNATIONAL SYMBOLS

This operator's manual describes safety and international symbols and pictographs that may appear on this product. Read the operator's manual for complete safety, assembly, operating and maintenance and repair information.

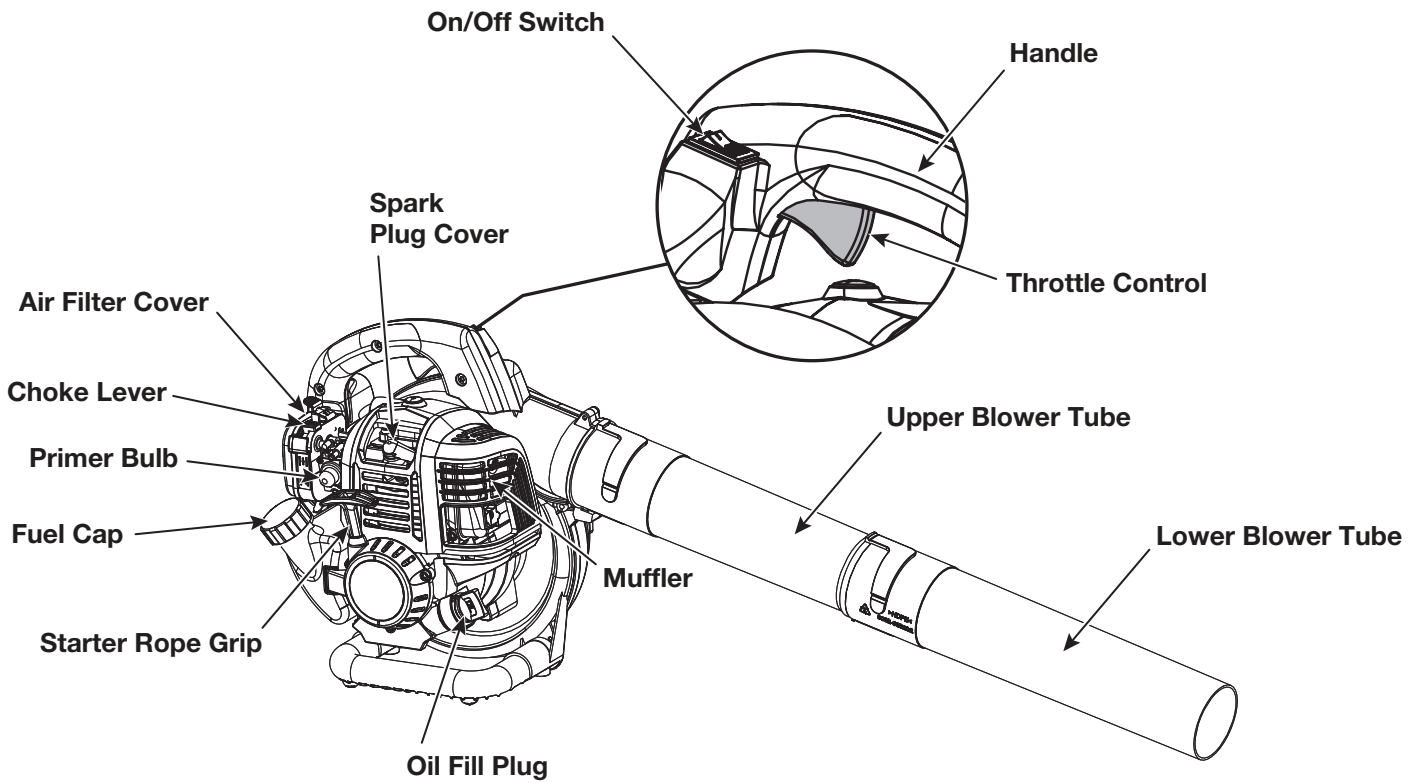
	SAFETY ALERT SYMBOL Indicates danger, warning or caution. May be used in conjunction with other symbols or pictographs.		ON/OFF STOP CONTROL ON / START / RUN
	READ OPERATOR'S MANUAL WARNING: Read the operator's manual(s) and follow all warnings and safety instructions. Failure to do so can result in serious injury to the operator and/or bystanders.		ON/OFF STOP CONTROL OFF or STOP
	WEAR EYE AND HEARING PROTECTION WARNING: Thrown objects and loud noise can cause severe eye injury and hearing loss. Wear eye protection meeting current ANSI / ISEA Z87.1 standards and ear protection when operating this unit. Use a full face shield when needed.		PRIMER BULB Push primer bulb, fully and slowly, 10 times.
	WEAR HAND PROTECTION Wear heavy duty work gloves to protect hands.		CHOKE CONTROL 1. • RUN choke position 2. • PARTIAL choke position 3. • FULL choke position
	WEAR FOOT PROTECTION Wear boots with slip-resistant and puncture-resistant soles.		THROWN OBJECTS CAN CAUSE SEVERE INJURY WARNING: Small objects can be propelled at high speed, causing injury.
	UNLEADED FUEL Always use clean, fresh unleaded fuel.		KEEP BYSTANDERS AWAY WARNING: Keep all bystanders, especially children and pets, at least 50 feet (15 m) from the operating area.
	OIL Refer to operator's manual for the proper type of oil.		HOT SURFACE WARNING: Do not touch a hot muffler or cylinder. You may get burned. These parts get extremely hot from operation. When turned off, they remain hot for a short time.
	DO NOT USE E85 FUEL IN THIS UNIT WARNING: It has been proven that fuel containing greater than 10% ethanol will likely damage this engine and void the warranty.		BLOWERS – ROTATING IMPELLER BLADES CAN CAUSE SEVERE INJURY WARNING: Stop the unit and allow the impeller to stop before changing tubes, cleaning or performing any maintenance. Keep hands and feet away from moving parts.

COMPONENT LOCATION

COMPONENT LOCATION

APPLICATIONS

- Cleaning yards, garages, driveways, porches, patios, around walls, fences and more



INCLUDED PARTS

Quantity	Item	Quantity	Item
1	Operator's Manual	1	60 ml bottle
1	Torx wrench	1	Warranty statement
1	Spark plug wrench	1	EPA warrantly letter

ASSEMBLY

WARNING: To avoid serious personal injury and damage to the unit, shut the unit off before removing or installing blower tubes or nozzles.

WARNING: To prevent serious personal injury, never operate the unit without the upper blower tube firmly installed.

INSTALLING THE BLOWER TUBE(S)

Always install the upper blower tube. The lower blower tube is optional.

Installing the Upper Blower Tube

1. Align the slots on the upper end of the upper blower tube with the bumps on the blower outlet (Fig. 1).
2. Insert the upper blower tube into the blower outlet (Fig. 1).
3. While holding the handle, twist the upper blower tube clockwise until it locks into place (Fig. 1).

Installing the Lower Blower Tube

1. Align the slots on the lower blower tube with the bumps on the lower end of the upper blower tube (Fig. 2).
2. Install the lower blower tube onto the upper blower tube (Fig. 2).
3. While holding the upper blower tube, twist the lower blower tube clockwise until it locks into place (Fig. 2).

REMOVING THE BLOWER TUBE(S)

Removing the Upper Blower Tube

1. Twist the upper blower tube counterclockwise until it unlocks from the blower outlet (Fig. 3).
2. Remove the upper blower tube from the blower outlet.

Removing the Lower Blower Tube

1. While holding the upper blower tube, twist the lower blower tube counterclockwise until it unlocks from the blower tube.
2. Remove the lower blower tube from the upper blower tube.

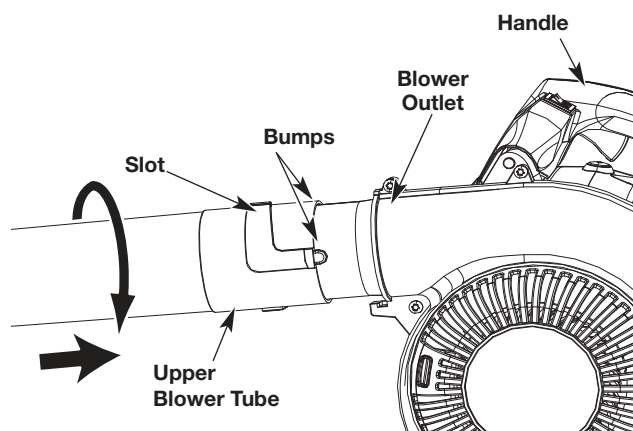


Fig. 1

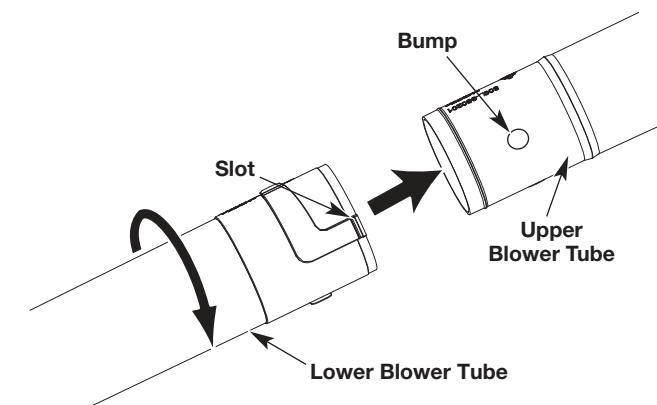


Fig. 2

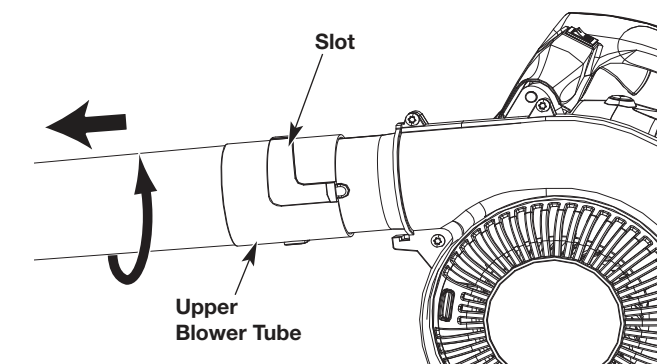


Fig. 3

OIL AND FUEL

USING THE RIGHT OIL

Use a high-quality SAE 30 weight oil. **DO NOT** use dirty oil. Failure to use clean oil of the correct type can cause premature engine wear and failure.

ADDING OIL: INITIAL USE

WARNING: OVERFILLING THE CRANKCASE MAY CAUSE SERIOUS PERSONAL INJURY. Check the oil level before each use. The importance of maintaining the proper oil level cannot be overemphasized. Change the oil according to the Maintenance Schedule.

Note: This unit was shipped without oil in the crankcase. Oil must be added before starting the unit.

Note: This unit comes with a 2.03 fluid oz. (60 ml) container of oil.

1. Set the unit on a flat, level surface.

2. Unscrew the oil fill plug (Fig. 4).

3. Pour the entire container of oil into the oil fill hole (Fig. 4).

DO NOT overfill. Refer to *Checking the Oil Level*.

Note: Never add oil to the fuel tank. This unit has a four-cycle engine. **DO NOT** mix oil with gasoline.

4. Wipe up any oil that may have spilled.

5. Reinstall the oil fill plug.

Note: Make sure the O-ring is in place on the oil fill plug (Fig. 4).

USING THE RIGHT FUEL

The use of old fuel is the most common cause of performance problems. Use only fresh, clean unleaded gasoline.

Note: This unit has a four-cycle engine. **DO NOT** mix oil with gasoline.

Definition of Blended Fuels

Today's fuels are often a blend of gasoline and oxygenates such as ethanol, methanol or MTBE (ether). Alcohol-blended fuel absorbs water. As little as 1% water in the fuel can make fuel and oil separate, forming acids when stored. ALWAYS use fresh fuel (less than 30 days old).

Note: Dispose of old fuel according to federal, state and local regulations.

Using Blended Fuels

If using a blended fuel:

- Always use fresh unleaded gasoline
- Use the fuel additive STA-BIL® or an equivalent

WARNING: DO NOT USE E85 FUEL IN THIS UNIT. It has been proven that fuel containing greater than 10% ethanol will likely damage this engine and void the warranty.

Using Fuel Additives

Use a fuel additive, such as STA-BIL Fuel Stabilizer or an equivalent, to inhibit corrosion and minimize gum deposits. Add 0.8 oz. (23 ml) of fuel additive per gallon of fuel, according to the instructions on the container. NEVER add fuel additives directly to the unit's fuel tank.

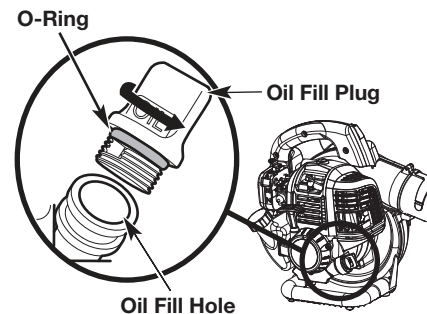




Fig. 4

FUELING THE UNIT

 **WARNING:** Gasoline is extremely flammable. Ignited vapors may explode. Always stop the engine and allow it to cool before filling the fuel tank. Do not smoke while filling the tank. Keep sparks and open flames at a distance from the area.

 **WARNING:** Remove the fuel cap slowly to avoid injury from fuel spray. Never operate the unit without the fuel cap securely in place.

 **WARNING:** Add fuel in a clean, well ventilated outdoor area. Wipe up any spilled fuel immediately. Avoid creating a source of ignition for spilled fuel. Do not start the engine until fuel vapors dissipate.

1. Position the unit with the fuel cap facing up.
2. Slowly remove the fuel cap.
3. Place the fuel container spout into the fuel tank fill hole and fill the tank.

Note: Do not overfill the tank.

4. Wipe up any fuel that may have spilled.
5. Reinstall the fuel cap.
6. Move the unit at least 30 ft. (9.1 m) from the fuel container and the fueling site before starting the engine.

STARTING AND STOPPING

STARTING AND STOPPING

WARNING: Operate this unit only in a well-ventilated outdoor area. Carbon monoxide exhaust fumes can be lethal in a confined area.

WARNING: Avoid accidentally starting the unit. To avoid serious injury, the operator and the unit must be in a stable position when pulling the starter rope (Fig. 7).

WARNING: When starting the unit, make sure it is not directed toward people, animals, windows, automobiles or loose debris.

WARNING: Be sure to read the fuel information in the safety rules before you begin. If you do not understand the safety rules, do not attempt to fuel your unit.

STARTING INSTRUCTIONS

1. Check the oil level. Refer to *Checking the Oil Level*.
 2. Fill the fuel tank. Refer to *Fueling the Unit*.
- Note:** There is no need to turn the unit on. The On/Off switch is in the ON (I) position at all times (Fig. 5).
3. Slowly press and release the primer bulb **10 times** (Fig. 6).
 4. Move the choke lever to the Full Choke position (Fig. 6).
 5. **DO NOT** squeeze the throttle control. Crouch in the starting position (Fig. 7).
 6. **DO NOT** squeeze the throttle control. Pull the starter rope with a controlled and steady motion 3 to 5 times to start the engine (Fig. 7).
 7. Allow the engine to warm up less than 10 seconds, then squeeze the throttle control to return the choke to the Choke Off position and operate the blower.

IF... the engine does not start, begin the starting procedure with step 3.

IF... the engine fails to start after a few attempts, squeeze the throttle control to return move the choke to the Choke Off position. Pull the starter rope with a controlled and steady motion 3 to 8 times. The engine should start. If it does not, repeat this instruction.

IF THE UNIT WAS RUN FOR 10-15 MINUTES AND THE ENGINE IS HOT... perform steps 3, 5, 6, 7 to restart the engine. Squeeze and hold the throttle control. Run the unit for 2-5 minutes, or as needed. The unit may be used during this time.

If the engine speed fluctuates, move the the choke lever to the Full Choke position and run the unit for 2-5 minutes, or as needed. The unit may be used during this time. Then squeeze and hold the throttle control to operate the blower.

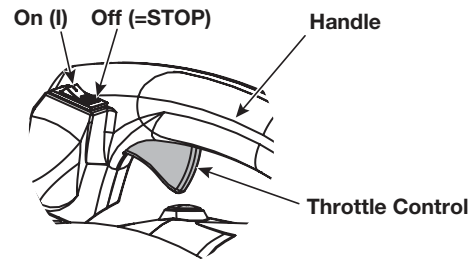


Fig. 5

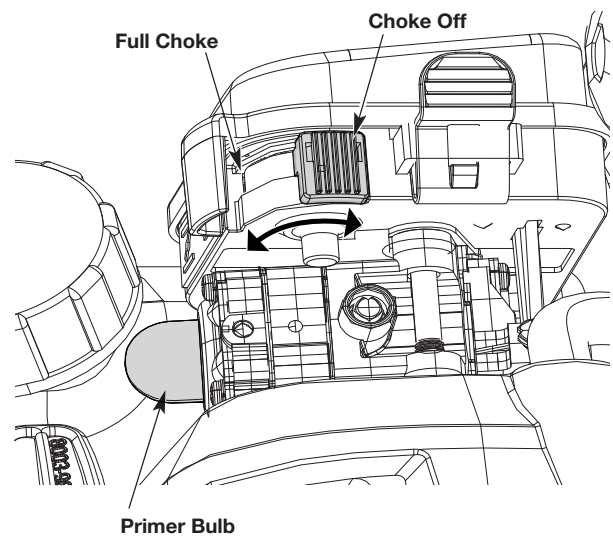


Fig. 6

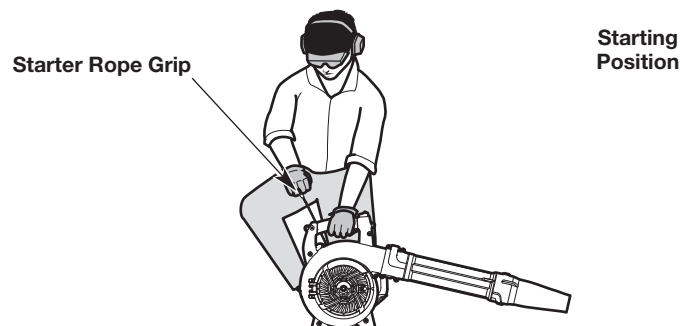


Fig. 7

STOPPING INSTRUCTIONS

1. Release the throttle control and allow the engine to idle.
2. Press and hold the On/Off switch in the OFF (STOP) position until the engine comes to a complete stop (Fig. 5).

OPERATION

! WARNING: Clear the area of children, bystanders, and pets. At a minimum, keep all children, bystanders, and pets outside a 15 m (50 ft) radius; outside the 15 m (50 ft) zone, there is still a risk of injury from thrown objects. Bystanders should be encouraged to wear eye protection. If you are approached, stop the engine.

! WARNING: To prevent serious personal injury, never operate the unit without the upper blower tube firmly installed.

! WARNING: Always wear eye, hearing, hand, foot and body protection to reduce the risk of injury when operating this unit. Wear a face mask or dust mask if the operation is dusty.

! WARNING: To reduce the risk of injury associated with contacting rotating parts, stop the engine before installing or removing attachments. Do not operate without guards in place. Always disconnect the spark plug before performing maintenance or accessing movable parts.

OPERATING TIPS

- While vacuuming or blowing debris, hold the unit with the muffler side facing away from your body and clothes.
- To reduce the risk of hearing loss associated with sound level(s), hearing protection is required.
- To reduce the risk of injury associated with contacting rotating parts, stop the engine before installing or removing attachments. Do not operate without guard(s) in place.
- Operate power equipment only at reasonable hours—not early in the morning or late at night when people might be disturbed. Comply with times listed in local ordinances. Usual recommendations are 9:00 a.m. to 5:00 p.m., Monday through Saturday.
- To reduce noise levels, limit the number of pieces of equipment used at any one time.

- To reduce noise levels, operate power blowers at the lowest possible throttle speed to do the job.
- Use rakes and brooms to loosen debris before blowing.
- In dusty conditions, slightly dampen surfaces when water is available.
- Conserve water by using power blowers instead of hoses for many lawn and garden applications, including areas such as gutters, screens, patios, grills, porches, and gardens.
- Watch out for children, pets, open windows, or freshly washed cars. Blow debris away safely.
- Use the full blower nozzle extension so the air stream can work close to the ground.
- After using blowers and other equipment, CLEAN UP! Dispose of debris in trash receptacles.

HOLDING THE UNIT

- Stand in the operating position (Fig. 8). Stand up straight. Do not bend over.
- Keep feet apart and firmly planted.
- Hold the unit in front of, and away from, your body (Fig. 8).

! WARNING: To prevent serious personal injury or damage to the unit, **DO NOT** hold the unit at your side (Fig. 8). The engine may be extremely hot. **DO NOT** block the air intake.

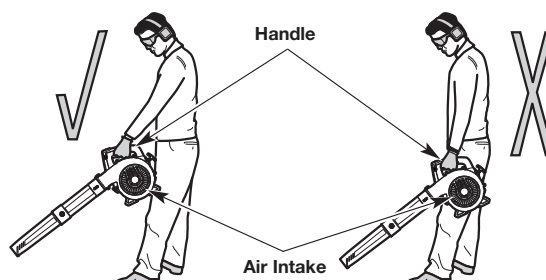


Fig. 8

MAINTENANCE

MAINTENANCE

GENERAL RECOMMENDATIONS

The warranty on this unit does not cover items that have been subjected to operator abuse or negligence. To receive full value from the warranty, the operator must maintain unit as instructed in this manual. Various adjustments will need to be made periodically to properly maintain your unit.

WARNING: To avoid serious personal injury, always stop the engine and allow it to cool before cleaning or maintaining the unit. Never perform cleaning or maintenance while the unit is running. Disconnect the spark plug wire to prevent the unit from starting accidentally.

WARNING: Wear protective clothing and observe all safety instructions to prevent serious personal injury.

CHECKING THE OIL LEVEL

WARNING: OVERFILLING THE CRANKCASE MAY CAUSE SERIOUS PERSONAL INJURY. Check the oil level before each use. The importance of maintaining the proper oil level cannot be overemphasized.

1. Stop the engine and allow it to cool.
 2. Set the unit on a flat, level surface, such as a workbench or table.
- Note:** Failure to keep the engine level may result in oil overflow.
3. Clean the area around the oil fill plug (Fig. 11) to prevent debris from entering the oil fill hole.
 4. Unscrew the oil fill plug.
 5. Look into the oil fill hole; use a flashlight if necessary. **Add oil to the oil fill hole until the oil level is visible on the first thread of the oil reservoir** (Fig.10). If the oil level is too low, add oil to the oil fill hole until the oil level touches the bottom thread of the oil fill hole.

Note: DO NOT overfill the crankcase.

6. Wipe up any oil that may have spilled.
7. Reinstall the oil fill plug.

Note: Make sure the O-ring is in place on the oil fill plug (Fig. 9).

MAINTENANCE SCHEDULE

Perform these required maintenance procedures at the frequency stated in the table. These procedures should also be a part of any seasonal tune-up. Some maintenance procedures may require special tools or skills. If unsure about these procedures, take the unit to a Sears or other qualified service dealer. Call 1-800-261-3981 for more information.

Note: Maintenance, replacement, or repair of the emission control devices and system may be performed by a qualified service dealer.

Call 1-800-261-3981 for more information.

Note: Please read the California/EPA statement that came with the unit for a complete listing of terms and coverage for the emissions control devices, such as the spark arrestor, muffler, carburetor, etc.

FREQUENCY	MAINTENANCE REQUIRED
Every 10 hours	<ul style="list-style-type: none">• Clean and re-oil the air filter. Refer to Maintaining the Air Filter.
After the first 10 hours and at 38 hours	<ul style="list-style-type: none">• Change the oil. Refer to Changing the Oil.• Have the rocker arm clearance checked by a Sears or other qualified service dealer.• Check the spark plug condition and gap. Refer to Maintaining the Spark Plug.

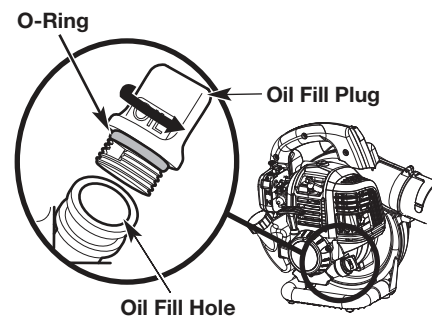


Fig. 9

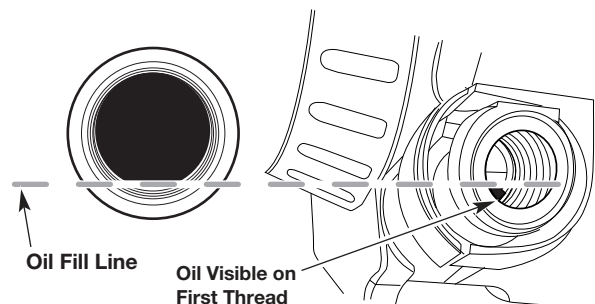


Fig. 10

CHANGING THE OIL

Change the oil while the engine is still warm. The oil will flow freely and carry away more impurities.

1. Clean the area around the oil fill plug (Fig. 9) to prevent debris from entering the oil fill hole.
2. Unscrew the oil fill plug.
3. Tip the unit vertically to pour the oil out of the oil fill hole and into a container (Fig. 11). Allow ample time for complete drainage.

Note: Dispose of the old oil according to federal, state and local regulations.

4. Wipe up any oil that may have spilled.
5. Pour 2.03 fl.oz. (60 ml) of SAE 30 oil into the oil fill hole.

Note: DO NOT overfill. Refer to Checking the Oil Level.

6. Wipe up any oil that may have spilled.
7. Reinstall the oil fill plug.

Note: Make sure the O-ring is in place on the oil fill plug (Fig. 9).

MAINTAINING THE AIR FILTER

Failure to maintain the air filter can result in poor performance or can cause permanent damage to the engine. Engine failure due to improper air filter maintenance is not covered by the product warranty.

Cleaning the Air Filter

1. Open the air filter cover: press in the lock tab and swing the air filter cover to the right (Fig. 12).
2. Remove the air filter (Fig. 12).
3. Wash the air filter in detergent and water. Rinse the air filter thoroughly and allow it to dry.
4. Lightly coat the air filter with clean SAE 30 oil.
5. Squeeze the air filter to spread and remove excess oil.
6. Reinstall the air filter (Fig. 12).

Note: Operating the unit without the air filter and air filter cover will VOID the warranty.

7. Close the air filter cover: insert the tabs on the air filter cover into the slots on the backplate. Swing the air filter cover to the left and press it closed until the lock tab snaps into place (Fig. 12).

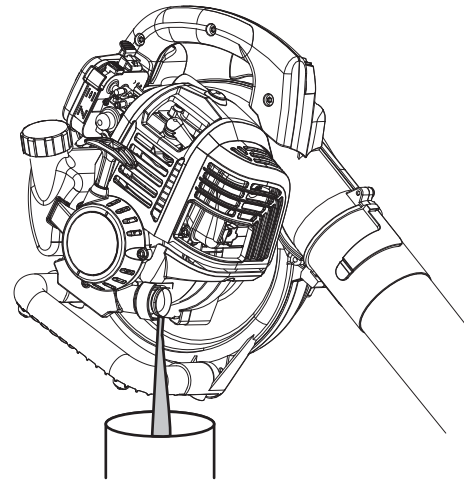


Fig. 11

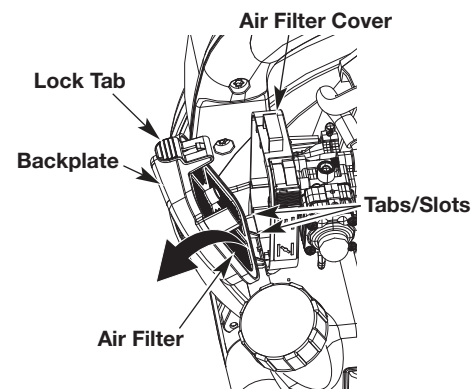


Fig. 12

MAINTENANCE

ADJUSTING THE IDLE SPEED

If the engine will not idle properly:

1. Start the engine. Refer to Starting and Stopping.
2. Let the engine idle. If the engine stops, increase the idle speed. Use a small Phillips screwdriver to turn the idle speed screw clockwise, 1/8 of a turn at a time, until the engine idles smoothly (Fig. 13).

MAINTAINING THE SPARK PLUG

1. Stop the engine and allow it to cool.
2. Grasp the spark plug boot firmly and pull it from the spark plug (Fig. 14).
3. Clean around the spark plug. Remove the spark plug from the cylinder head with a 5/8-inch socket, turning counterclockwise.

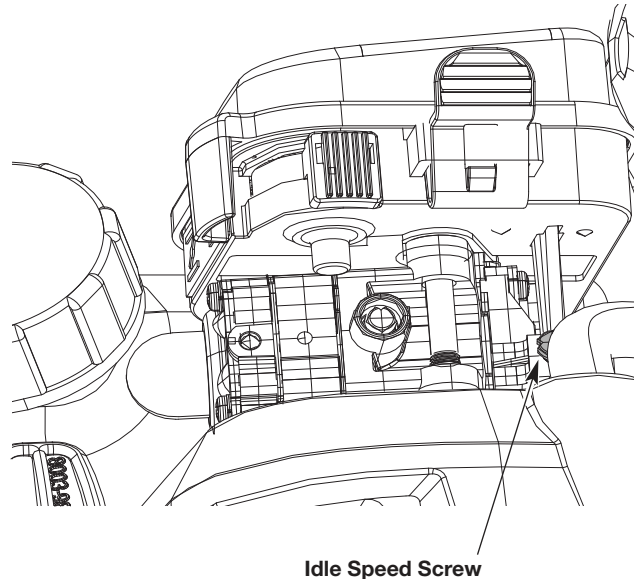


WARNING: Do not sand blast, scrape or clean spark plug electrodes. Grit in the engine could damage the cylinder.

4. Inspect the spark plug. If the spark plug is cracked, fouled or dirty, replace it with replacement part **Newstar AM5C**, or a **NGK CMR5H**, or an equivalent spark plug.
5. Use a feeler gauge to set the air gap at **0.025 - 0.31 in. (0.6 mm - 0.8 mm)** (Fig. 15).
6. Install the spark plug in the cylinder head. Tighten the spark plug with a 5/8-inch socket, turning it clockwise until snug.

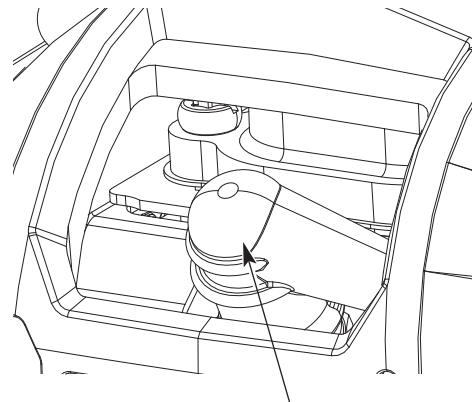
Note: If using a torque wrench, torque to:
159 in.·lb. (18 N·m). Do not over tighten.

7. Reattach the spark plug boot.



Idle Speed Screw

Fig. 13



Spark Plug Boot

Fig. 14

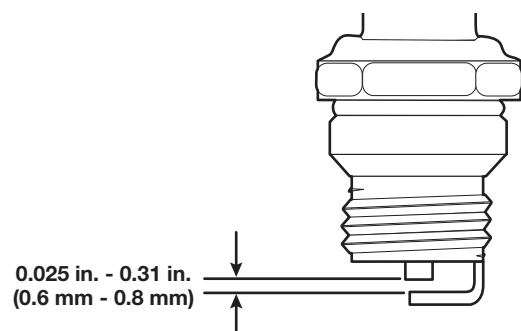



Fig. 15

CLEANING AND STORAGE

CLEANING

 **WARNING:** To avoid serious personal injury, always stop the engine and allow it to cool before cleaning or maintaining the unit.

Use a small brush to clean the outside of the unit. Do not use strong detergents. Household cleaners that contain aromatic oils such as pine and lemon, and solvents such as kerosene, can damage plastic. Wipe off any moisture with a soft cloth.

STORAGE

- Never store a fueled unit where fumes may reach an open flame or spark.
- Allow the engine to cool before storing.
- Lock up the unit to prevent unauthorized use or damage.
- Store the unit in a dry, well-ventilated area.
- Store the unit out of the reach of children.

Long-term Storage

1. Remove the fuel cap, tip the unit and drain the fuel into an approved container. Reinstall the fuel cap.
2. Start the engine and allow it to run until it stalls. This ensures that all fuel has been drained from the carburetor.
3. Allow the engine to cool. Remove the spark plug and put 5 drops of any high-quality motor oil into the cylinder. Pull the starter rope slowly to distribute the oil. Reinstall the spark plug.
4. Thoroughly clean the unit and inspect it for any loose or damaged parts. Repair or replace damaged parts and tighten loose screws, nuts or bolts.

Preparing the Unit for Use after Long-term Storage

1. Remove the spark plug. Tip the unit and drain all of the oil from the cylinder into an approved container. Reinstall the spark plug.
2. Change the oil. Refer to Changing the Oil.

Note: Do not use fuel that has been stored for more than 30 days. Dispose of old fuel and oil according to federal, state and local regulations.

FUEL SYSTEM

Empty the fuel system before storage for 30 days or longer. Drain the gas tank, start the engine and let it run until the fuel lines and carburetor are empty. Use fresh fuel next season. Under OIL AND FUEL section of this manual, see message labeled IMPORTANT regarding the use of blended and E85 fuel in your engine.

Fuel stabilizer is an acceptable alternative in minimizing the formation of fuel gum deposits during storage. Add stabilizer to gasoline in fuel tank or fuel storage container. Follow the mix instructions found on stabilizer container. Run engine at least 3 minutes after adding stabilizer.

ENGINE

- Remove spark plug and pour 1 teaspoon of engine oil through the spark plug opening.
- Slowly pull the starter rope 8 to 10 times to distribute oil.
- Replace spark plug with new one of recommended type and heat range.
 - Clean air filter.
 - Check entire unit for loose screws, nuts, and bolts. Replace any damaged, broken, or worn parts.
 - At the beginning of the next season, use only fresh fuel.

OTHER

- Do not store gasoline from one season to another.
- Replace your gasoline can if it starts to rust.

TROUBLESHOOTING

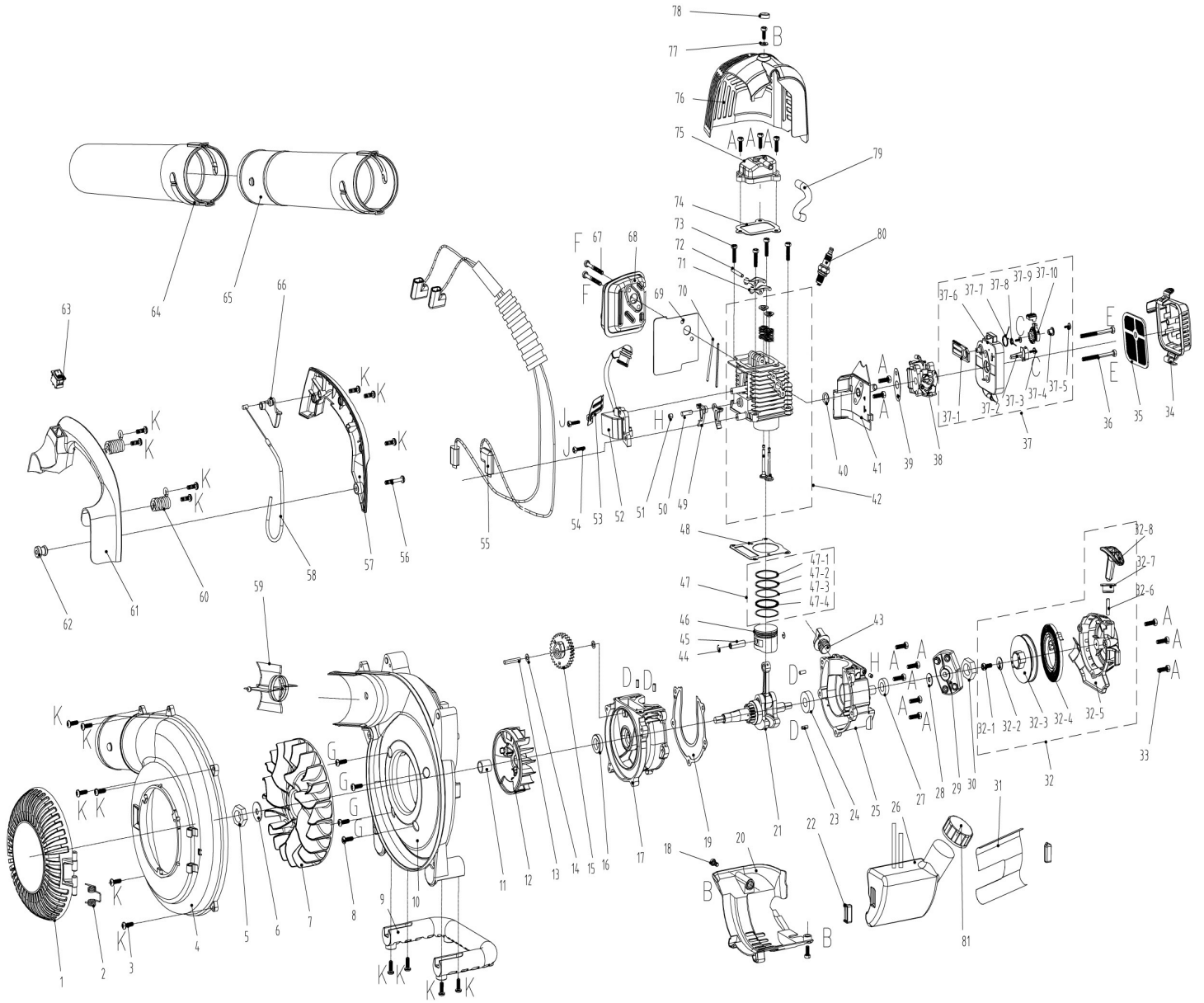
TROUBLESHOOTING

PROBLEM	SOLUTION
THE ENGINE WILL NOT START	
The fuel tank is empty	Fill the fuel tank with fresh fuel
The primer bulb was not pressed enough	Press the primer bulb 10 times
The fuel is old (over 30 days)	Drain the fuel tank and add fresh fuel
The spark plug is fouled	Replace the spark plug
The engine is hot	Refer to the IF... THE ENGINE IS HOT instructions in the Starting and Stopping section
THE ENGINE WILL NOT IDLE	
The air filter is dirty	Clean or replace the air filter
The fuel is old (over 30 days)	Drain the fuel tank and add fresh fuel
The idle speed is incorrect	Adjust the idle speed
THE ENGINE WILL NOT ACCELERATE	
The fuel is old (over 30 days)	Drain the fuel tank and add fresh fuel
The air filter is dirty	Clean or replace the air filter
THE ENGINE LACKS POWER OR STALLS	
The fuel is old (over 30 days)	Drain the fuel tank and add fresh fuel
The air filter is dirty	Clean or replace the air filter
The spark plug is fouled	Replace the spark plug

If further assistance is required, take the unit to a qualified service dealer.

PARTS

EXPLODED VIEW



PARTS

No.	Part #	Description	Qty.
1	202030001505	Fan hood	1
2	207019900465	Spring	1
3	207310100310	Screw	17
4	202016003554	Left housing	1
5	207320100023	Nut	1
6	207059900192	Big washer	1
7	207109900127	Fan blade	1
8	207310100739	Screw	4
9	202024002261	Hand shank	1
10	202016003560	Right housing	1
11	202015000306	Spindle cover	1
12	201088000018	Flywheel	1
13	201026000354	Pin roll	1
14	207059900215	Washer	2
15	202002000046	Timing gears	1
16	202999001063	Oil seal	1
17	201126000054	Crank case	1
18	207310100736	Screw	3
19	299999000404	Crankcase washer	1
20	202030001470	Crankcase cover	1
21	201038000006	Bent axle	1
22	202017000036	Shock pad	2
23	207350100042	Cylindrical pin	4
24	207390200006	Bearing 6001	1
25	201126000054	Crank case	1
26	199124000183	Oil box assembly	1
27	202999001495	Oil seal	1
28	201999000919	Grinding pad	1
29	199999001067	Starter bowl assembly	1
30	207320100024	Hexagon nut	1
31	201999001246	Insulating film	1
32	199096000077	Start assembly	1
33	207310100310	Screw	13
34	202083001017	Filter cover	1
35	299999000359	Air filter screen	1
36	207310100741	Screw	2
37	207019900457	Air filter	1
37-1	202999001771	Choke valve board	1
37-2	202099000015	Slide block	1
37-3	207310100322	Flange tapping screw	2
37-4	207289900150	Axle sleeve	1
37-5	207310100179	Self tapping screw	1
37-6	202090000200	Air filter holder	1
37-7	207019900457	Torsional spring	1
37-8	201999000762	Spring	1
37-9	202004000879	Dial button	1

No.	Part #	Description	Qty.
37-10	201999001385	Choke button	1
38	199064000051	Carburetor	1
39	299999000246	Enter air washer	2
40	299999000412	Enter air washer	1
41	202094000235	Inlet air pipe	1
42	199999001376	Cylinder components	1
43	199999001285	Oil dipstick components	1
44	207269900052	Piston pin check ring	2
45	201999001277	Piston pin	1
46	201109000039	Piston	1
47	201110000044	Piston ring	1
48	299999000244	Cylinder pad	1
49	201999000685	Low Arm	2
50	207199900092	Pin roll	1
51	207310100610	Screw	2
52	199037000036	Igniter	1
53	201999001212	Wind screen	1
54	207310100734	Screw	2
55	199999001084	Stopping wire	1
56	207310101122	Screw	1
57	202024002262	Right The handle	1
58	199081000092	Power wire	1
59	202037000006	Fender bracket	1
60	207019900460	Torsional spring	2
61	202024002263	Left The handle	1
62	202017000055	Shock pad	1
63	207180200023	The rocker switch	1
64	202094000239	Blowpipe 1	1
65	202094000240	Blowpipe 2	1
66	202004000880	Throttle trigger	1
67	207310100740	Screw	2
68	199113000045	Muffler assembly	1
69	299999000367	Muffler pad	1
70	201091000024	Tappet	2
71	199999000116	Rocker assembly	2
72	207199900091	pin roll	1
73	207310100738	Screw	4
74	299999000364	Head gasket	1
75	201058000226	Cylinder head	1
76	202030001508	Cover shell	1
77	201999001165	Washer	1
78	202023000084	Rubber stopper	1
79	202094000222	Breather pipe	1
80	199999001291	Sparking plug	1
81	202165000585	Fuel tank cap	1

For replacement parts, email: parts@SENIXtools.com.

WARRANTY**LIMITED TWO-YEAR WARRANTY**

3-year limited warranty on all Senix X5 series outdoor battery powered equipment and charger. 3-year limited warranty on all Senix X5 batteries.*

FOR THREE YEARS from the original date of retail purchase this Senix product is warranted against defects in materials or workmanship on power tools and chargers. Defective product will receive free repair.*

FOR THREE YEARS from the original date of retail purchase this Senix product is warranted against defects in materials or workmanship on batteries. Defective product will receive free repair.*

This warranty does not cover normal wear of parts and components such as cutting chain, line or blades nor does this warranty cover product transportation cost for warranty or service.

Warranty is subject to the following conditions:

- Warranty applies to the original purchaser at retail and is not transferrable*
- Warranty Registration at www.senixtools.com
- The tool has not been misused, abused, neglected, altered, modified or repaired by anyone other than an authorized service center
- Only genuine Senix accessories have been used with or on this product
- The tool has been subjected to normal wear and tear
- The tool has not been used for trade or professional purposes
- The tool has not been used for rental purposes
- This warranty only covers defects arising under normal usage and does not cover any malfunction, failure or defect resulting from misuse, abuse (including overloading the product, exposure to water or rain) accidents, neglect or lack of proper installation and improper maintenance or storage.

To locate your nearest Senix service provider call toll free at **800-261-3981** or email us at service@senixtools.com.

Additional Limitations

Any implied warranty granted under state law, including warranties of merchantability or fitness for a particular purpose, are limited to three years from the date of purchase on power tools and chargers and seven years on batteries. The manufacturer is not responsible for direct, indirect, incidental or consequential damages. Some states and provinces do not allow limitations on how long an implied warranty lasts and/or do not allow the exclusion or limitation of incidental damages, so the above limitations and exclusions may not apply to you. This warranty gives you specific legal rights, and you may also have other rights which vary from state to state or province to province.

The YAT USA declines any responsibility in regard to civil liability arising from abusive use or not in conformity with proper use and maintenance of the machine as described in the operator's manual.

YAT USA is not responsible for direct, indirect, incidental or consequential damages.

After the purchase, the manufacturer recommends proper maintenance of the machine and to read the operator's manual before using the machine.

*Original purchase receipt may be required for proof of purchase

For customer service contact us toll free at **1-800-261-3981** or Senixtools.com.

YAT USA, Inc. 9048 E Bahia Dr, suite 105, Scottsdale, AZ 85260

