

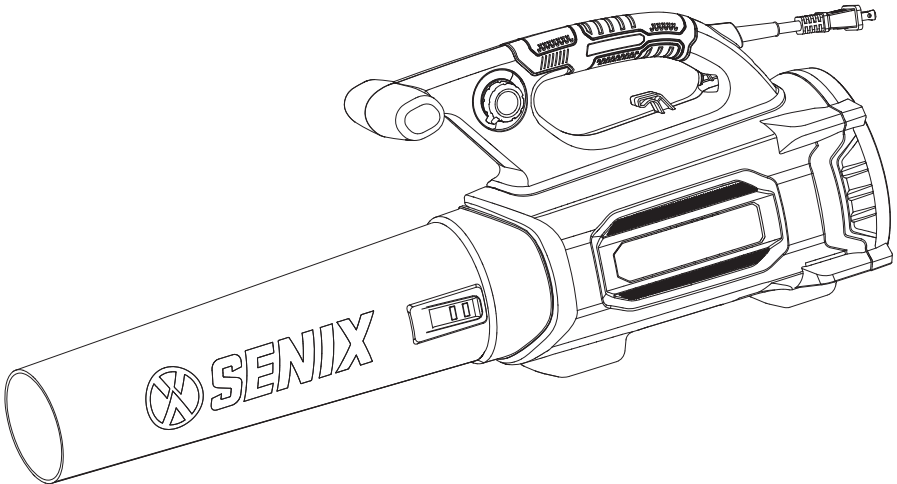


**EN Operator's manual  
ELECTRIC CORDED LEAF BLOWER**

Model / Modelo / Modèle:  
BLAE12-M

**ES Manual del operador  
SOPLADOR DE HOJAS ELÉCTRICO  
ALÁMBRICO**

**FR Manuel de l'utilisateur  
SOUFFLEUR DE FEUILLES ÉLECTRIQUE  
À FIL**



**EN**

For customer service please find all information on [www.senixtools.com](http://www.senixtools.com) or call 800-261-3981

CAUTION: BEFORE USING THIS PRODUCT, READ THIS MANUAL AND FOLLOW ALL ITS SAFETY RULES AND OPERATING INSTRUCTIONS.

ORIGINAL INSTRUCTIONS

**ES**

Toda la información relacionada con el servicio al cliente la puede encontrar en [www.senixtools.com](http://www.senixtools.com) o llamando al 800-261-3981

PRECAUCIÓN: ANTES DE USAR ESTA HERRAMIENTA, LEA ESTE MANUAL Y SIGA TODAS LAS MEDIDAS DE SEGURIDAD E INSTRUCCIONES DE USO.

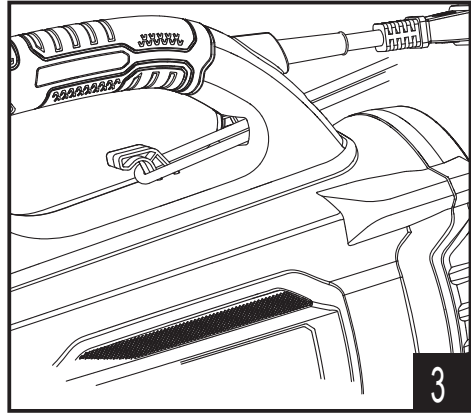
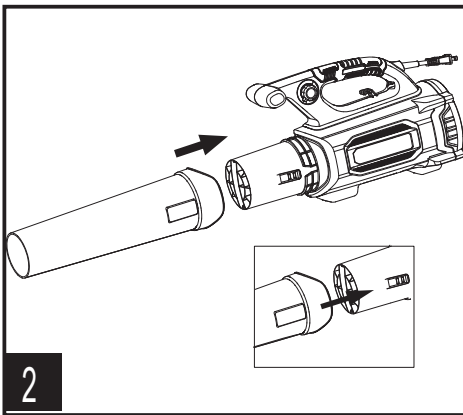
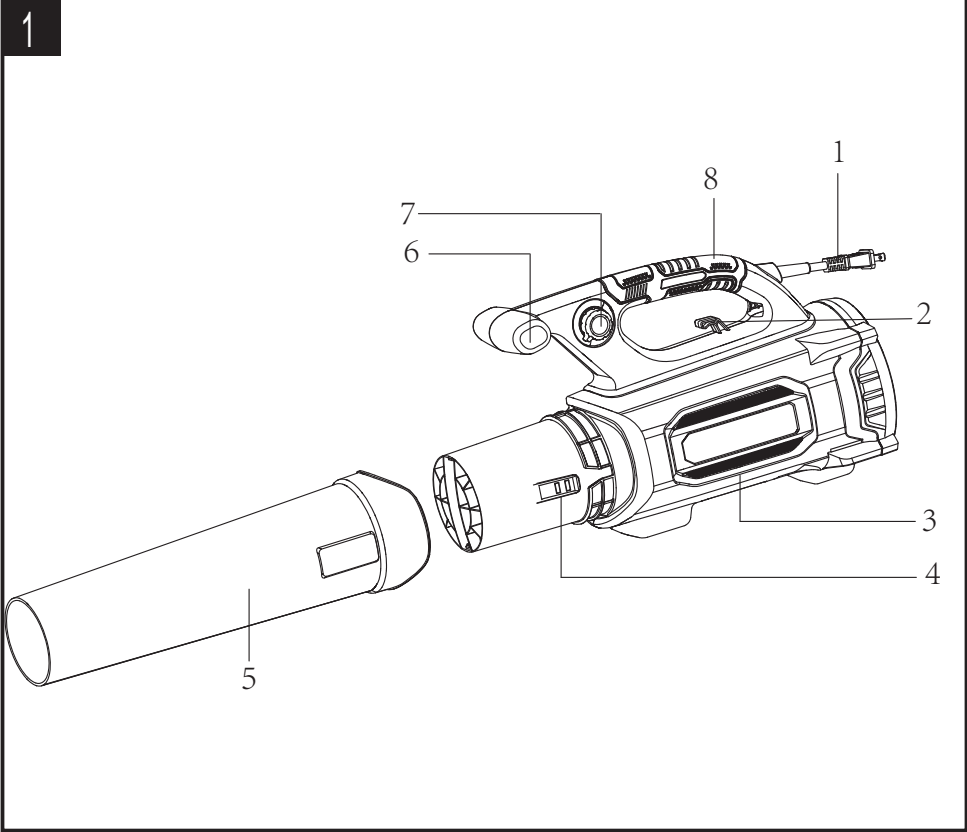
INSTRUCCIONES ORIGINALES

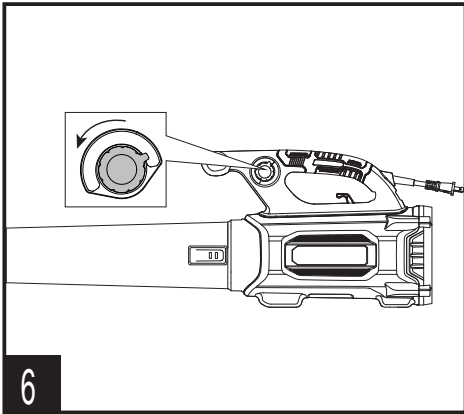
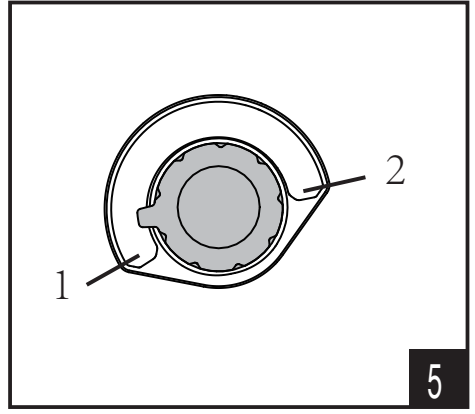
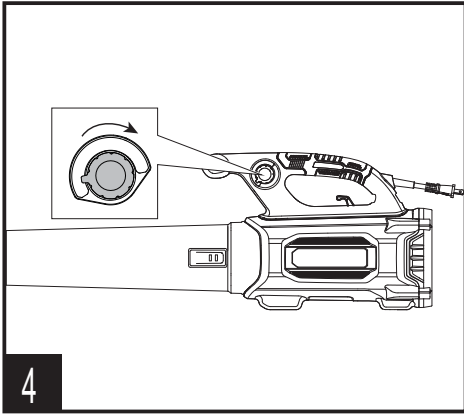
**FR**

Pour le service d'assistance à la clientèle, veuillez trouver toutes les informations sur [www.senixtools.com](http://www.senixtools.com) ou appeler le 800-261-3981.

ATTENTION : AVANT D'UTILISER CE PRODUIT, LISEZ CE MANUEL ET SUIVEZ TOUTES LES RÈGLES DE SÉCURITÉ ET LES CONSIGNES D'UTILISATION.

INSTRUCTIONS ORIGINALES

















# TABLE OF CONTENTS

SAFETY & INTERNATIONAL SYMBOLS .....	5
SAFETY INSTRUCTIONS.....	7
KNOW YOUR UNIT.....	12
SPECIFICATIONS* .....	12
ASSEMBLY .....	12
OPERATION.....	12
MAINTENANCE .....	13
TROUBLESHOOTING .....	13
WARRANTY .....	13



## SAFETY & INTERNATIONAL SYMBOLS



Some of the following symbols may be used on this product. Please study them and learn their meaning. Proper interpretation of these symbols will allow you to operate the product better and safer.

SYMBOL	NAME	DESIGNATION/ EXPLANATION
V	Volts	Voltage
A	Amperes	Current
Hz	Hertz	Frequency (cycles per second)
Wh	Watt Hour	Energy Storage Capacity
Ah	Amp Hour	Current Capacity
~	Alternating Current	Type or a characteristic of current
	Class II Construction	Double-insulated construction
RPM	Rotating Speed	Revolutions per minute
/min	Per Minute	Revolutions, strokes, surface speed, orbits, etc., per minute
	Wet Conditions Alert	Do not expose to rain or use in damp locations.
	Read The Operator's Manual	To reduce the risk of injury, user must read and understand operator's manual before using this product.
	Eye Protection	Always wear eye protection with side shields marked to comply with ANSI Z87.1.

	Safety Alert	Precautions that involve your safety.
	Long Hair	Failure to keep long hair away from the air inlet could result in personal injury.
	Loose Clothing	Failure to keep loose clothing from being drawn into air intake could result in personal injury.
	Keep Bystanders Away	Keep all bystanders at least 50 ft. away.
	Blower Tubes	Do not operate without tubes in place.
	Impeller Blades	Rotating impeller blades can cause severe injury.
	The power	Always keep the power cable away from heat sources, oils or sharp edges. Immediately remove plug from the mains if the cable is damaged or entangled.
	The power	WARNING! Turn the machine OFF and disconnect it from the power supply before inspecting, cleaning, changing accessories or conducting any other maintenance task.

The following signal words and meanings are intended to explain the levels of risk associated with this product.

SYMBOL	SIGNAL	MEANING
	DANGER	Indicates an imminently hazardous situation, which, if not avoided, will result in death or serious injury.
	WARNING	Indicates a potentially hazardous situation, which, if not avoided, could result in death or serious injury.

	CAUTION	Indicates a potentially hazardous situation, which, if not avoided, may result in minor or moderate injury.
	CAUTION	(Without Safety Alert Symbol) Indicates a situation that may result in property damage.

## **WARNING!**

- To avoid serious personal injury, do not attempt to use this product until you have read this Owner's Manual thoroughly and understand it completely. If you do not understand the warnings and instructions in this Owner's Manual, do not use this product. Call 800-261-3981 for assistance.



The operation of any power tool can result in foreign objects being thrown into your eyes, which can result in severe eye damage. Before operating a power tool, always wear safety goggles, safety glasses with side shields, or a full face shield when needed. We recommend a Wide Vision Safety Mask for use over eyeglasses or standard safety glasses with side shields. Always use eye protection that is marked to comply with ANSI Z87.1.

## SAFETY INSTRUCTIONS

### **WARNING!**

Read and understand all instructions before using this product. Failure to follow all instructions listed below may result in electric shock, fire, and/or serious personal injury.

### **BEFORE USING**

Do not leave appliance(blower) when plugged in. Unplug from outlet when not in use and before servicing.

- Use extra care when cleaning on stairs.
- Do not use on wet surfaces.
- Do not allow to be used as a toy. Close attention is necessary when used by or near children.
- Use only as described in this manual. Use only manufacturer's recommended attachments.
- Keep hair, loose clothing, fingers and all body parts away from openings and moving parts.
- Do not use with a damaged plug. If the tool is not working as it should, or if it has been dropped, damaged, left outdoors, or dropped into water, return it to an authorized service center.
- Don't expose to rain when operating the machine.
- Store indoors. Do not expose to

rain or water.

### **WHEN USING (THIS APPLIANCE)**

Do not unplug by pulling on cord. To unplug, grasp the plug, not the cord. Turn off all controls before unplugging.

- Do not operate power tools in an explosive atmosphere, such as in the presence of flammable liquids, gases, or dust. Power tools create sparks that may ignite the dust or fumes.
- Never allow children to operate the equipment. Never allow adults to operate the equipment without proper instruction.
- Do not charge the unit outdoors.
- Wear heavy long pants, boots, and gloves. Avoid loose garments or jewelry that could get caught in moving parts of the machine or its motor.
- Do not force the tool. Use the correct tool for your application. The correct tool will work more efficiently and safely when it is used at the rate that it was designed to work at.
- Do not operate the equipment while barefoot or when wearing sandals or similar lightweight footwear.
- Wear protective footwear that will protect your feet and improve your footing on slippery surfaces.

- Secure long hair so it is above shoulder level to prevent entanglement in any moving parts.
- Keep firm footing and balance. Do not overreach. Overreaching can result in loss of balance.
- Do not allow children or untrained individuals to use this unit.
- Do not use the tool if the switch does not turn it on or off. Any tool that cannot be controlled with the switch is dangerous, and must be repaired.
- Keep all bystanders, children, and pets at least 50 ft. (15 m) away.
- For household use only.
- Do not operate this unit when you are tired, ill, or under the influence of alcohol, drugs, or medication.
- Do not operate in poor lighting.
- Keep all parts of your body away from any moving parts and all hot surfaces of the unit.
- Do not put any object into openings. Do not use with any opening blocked. Keep openings free of dust, lint, hair, and anything that may reduce air flow.
- Check the work area before each use. Remove all objects that can be thrown or become entangled in the machine, such as rocks, broken glass, nails, wire, or string.
- Use only identical manufacturer's

replacement parts and accessories. Use of any other parts may create a hazard or cause product damage.

## **CHILD SAFETY**

Tragic accidents can occur if the operator is not aware of the presence of children.

- Keep children out of the working area and under the watchful care of a responsible adult.
- Do not allow children under the age of 14 to operate this blower. Children who are 14 years of age and older must read and understand the operating instructions and safety rules in this manual and must be trained and supervised by a parent.
- Stay alert and turn the blower off if a child or any other person enters the working area.
- Use extreme care when approaching blind corners, doorways, shrubs, trees, or other objects that may obscure your view of a child who may run into the path of the blower.



## **WARNING!** (PROPOSITION 65)

Some dust created by power sanding, sawing, grinding, drilling, and other construction activities contains chemicals known to cause cancer, birth defects or other reproductive harm. Some examples of these chemicals are:

- Lead from lead-based paints
- Crystalline silica from bricks and cement and other masonry products, and
- Arsenic and chromium from chemically treated lumber.

Your risk of exposure to these chemicals varies depending on how often you do this type of work. To reduce your exposure to these chemicals, work in a well-ventilated area, and work with approved safety equipment, such as dust masks that are specially designed to filter out microscopic particles.

## **ELECTRICAL SAFETY**

- Ground fault circuit interrupter (GFCI) protection should be provided on the circuit(s) or outlet(s) to be used for the blower. Receptacles are available having built-in GFCI protection and may be used for this measure of safety.

- To prevent electric shock, use only with an extension cord suitable for outdoor use, such as SW-A, SOW-A, STW-A, STOW-A, SJW-A, SJOW-A, SJTW-A, or SJTOW-A. Before use, check that the extension cord is in good condition. When using an extension cord, make sure to use one heavy enough to carry the current your product will draw. For lengths less than 50 ft (15 m), a No.14 AWG (or greater) extension cord should be used. An undersized cord will cause a drop in line voltage resulting in loss of power and overheating.

## **WARNING!**

Electric shock may cause SEVERE INJURY or DEATH. Heed these warnings:

- Do not allow any part of the electric blower to make contact with water while it is in operation. If the appliance becomes wet while turned off, wipe dry before starting.
- Do not use an extension cord over 100 ft. (30 m).
- Do not touch the appliance or its plug with wet hands or while standing in water. Wearing rubber boots offers some protection.

## EXTENSION CORD CHART

Extension Cord Length	Up to 50 ft. (15 m)	+50 ft. - 100 ft. (+15 m - 30 m)
Wire Gauge (A.W.G.):	16	14

- To reduce the risk of electric shock, this appliance has a polarized plug (i.e. one blade is wider than the other). Use this appliance only with a polarized UL-, CSA- or ETL rated extension cord for outdoor, all-weather use. The appliance plug will fit into a polarized extension cord only one way.

If the appliance plug does not fit fully into the extension cord, reverse the plug. If the plug still does not fit, obtain a correct polarized extension cord. A polarized extension cord will require the use of a polarized wall outlet. The extension cord plug will fit into the polarized wall outlet only one way. If the plug does not fit fully into the wall outlet, reverse the plug. If the plug still does not fit, contact a qualified electrician to install the proper wall outlet. Do not modify the appliance plug, extension cord receptacle or extension cord plug in any way.

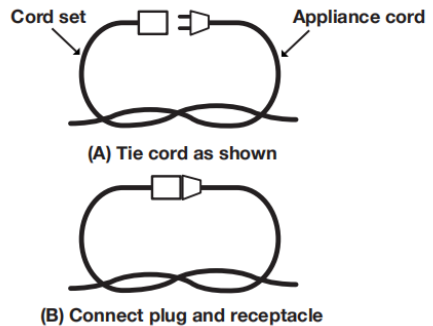
Warning – To reduce the risk of personal injury due to a loose electrical

connection between the appliance's plug and extension cord, firmly and fully attach the appliance plug to the extension cord. Periodically check the connection while operating to ensure it is fully attached. Do not use an extension cord that provides a loose connection. A loose connection may result in overheating, fire, and increases the risk of a burning.

Maintain Appliance With Care – Inspect extension cords periodically and replace if damaged.

- To prevent the appliance cord from disconnecting from the extension cord during operation, make a knot with the two cords as shown in Table 1.

Table 1. Method of Securing Extension Cord



- Do not abuse the cord. Never pull the blower by the cord or yank the cord to disconnect it from the

receptacle. Keep the cord away from heat, oil, and sharp edges.

## **PREPARATION**

Before beginning assembly of product, make sure all parts are present. Compare parts with package contents list and hardware contents list. If any part is missing or damaged, do not attempt to assemble the product.

Estimated Assembly Time: 5 minutes

This appliance is provided with double insulation. Use only identical replacement parts. See instructions for Servicing of Double-Insulated Appliances.

In a double-insulated appliance, two systems of insulation are provided instead of grounding.

No grounding means is provided on a double-insulated appliance, nor should a means for grounding be added to the appliance. Servicing a double-insulated appliance requires extreme care and knowledge of the system, and should be done only by qualified service personnel.

Replacement parts for a double-insulated appliance must be identical to the parts they replace.

# KNOW YOUR UNIT

## APPLICATIONS

Model: BLAE12-M

As a leaf blower:

- blowing leaves, grasses, twigs and pine needles

1	Power plug
2	Cord lock
3	Blower
4	Tube latch
5	Blower tube
6	Auxiliary handle
7	Cruise control trigger
8	Handle

# SPECIFICATIONS\*

Model:	BLAE12-M
Rated Voltage	120 V ~ 60 Hz
Rated Current	12 A
Max No-load Speed	17500 RPM ± 10%
Speed Settings	Variable Speed
Air Volume	690 CFM
Air Speed	115 MPH
Weight	6.8 lbs

The recommended ambient temperature range:

Blower Storage Temperature Range	32° F (0°C) ~ -158°F (70°C)
Blower Operation Temperature Range	32° F (0°C) ~ 104°F (40°C)

# ASSEMBLY

1. Unpack all parts and lay them on a flat, stable surface.
2. Remove all packing materials and shipping devices, if applicable.
3. The scope of delivery varies depending on the country and purchased variant:  
Model of BLAE12-M
  - Blower x1
  - Blower tube x1
  - Instruction manual x1
4. If you find that parts are missing or show damage do not use the product but contact your dealer. Using an incomplete or damaged product represents a hazard to

people and property.

5. Ensure that you have all the accessories and tools needed for assembly and operation. This also includes suitable personal protective equipment.



## WARNING:

Wear protective gloves for this assembly work and always lay the product on a flat and stable surface while assembling.



Follow the assembly instructions step-by-step and use the pictures provided as a visual guide to easily assemble the product!



Do not connect to the power supply before the power tool is completely assembled or adjusted!

# ASSEMBLING THE BLOWER TUBE



## WARNING:

To prevent accidental starting that could cause serious personal injury, always disconnect the power supply from the tool when assembling parts.

Align the blower tube with the tube housing assembly. Insert the blower tube to the tube housing. Make sure the well match between blower tube release button and the tube latch (Fig. 2).

# OPERATION



## NOTE:

This appliance is intended for outdoor, residential use only. Do not use it indoors or for commercial or industrial purposes. This appliance is for household use only.



## WARNING:

This appliance can throw debris, possibly causing serious personal injury to you or bystanders.

- Do not blow hard objects such as nails, bolts, or rocks.
- Do not operate the blower near bystanders or pets.
- Use extra care when cleaning debris from stairs or other tight areas.
- Wear safety goggles or other suitable eye protection, hearing protection, long pants, and shoes.

## CONNECTING TO A POWER SOURCE

Use only an extension cord recommended for outdoor use. Insert the power plug of the blower into the extension cord. Secure the extension cord to the appliance using the molded in cord-lock feature (Fig. 3). Plug the extension cord into the power supply.

## USING THE BLOWER

Make sure the cruise control trigger at position 1 then connect the blower to the power supply (Fig. 5). Twist the cruise control trigger clockwise can switch on the blower (Fig. 4). Once the blower is on, continue to twist cruise control trigger clockwise to increase the speed (Fig. 4). When the trigger at position 2, the blower comes to the maximum speed (Fig. 5). Twist the cruise control trigger counterclockwise to speed down till coming to a complete stop (Fig. 6).

## OPERATING THE BLOWER

- To keep from scattering debris, blow around the outer edges of a debris pile. Never blow directly into the center of a pile.
- To reduce sound levels, limit the number of pieces of equipment used at any one time.
- Use rakes and brooms to loosen debris before blowing. In dusty conditions, slightly dampen surfaces when water is available.
- Conserve water by using power blowers instead of hoses for many lawn and garden applications, including areas such as gutters, screens, patios, grills, porches, and gardens.
- Watch out for children, pets, open windows, or freshly washed cars, and blow debris safely away.
- After using blowers or other equipment, clean up. Dispose of debris properly.

## MAINTENANCE



### WARNING:

In order to avoid personal injury and the risk of fire and electric shock, disconnect the power supply before adjusting, inspecting, or cleaning the blower.

## CLEANING

- Disconnect the power supply.
- Brush or blow dust and debris out of the air vents using

compressed air or a vacuum. Keep the air vents free of obstructions, sawdust, and wood chips. Do not sprays, wash, or immerse the air vents in water.

- Wipe off the housing and the plastic components using a moist, soft cloth. Do not use strong solvents or detergents on the plastic housing or plastic components. Certain household cleaners may cause damage, and may cause a shock hazard.

## STORAGE

Store the appliance and extension cord indoors, in a cool dry location, out of reach of children and animals.

## TROUBLESHOOTING

If you still have questions or an unresolved issue after going through this troubleshooting guide, or just want to speak to a Kobalt product expert, please call our Kobalt customer service department at 800-261-3981.

PROBLEM	POSSIBLE CAUSE	SOLUTION
The blower will not blow.	Blocked tube	Clear the blockage.
The blower doesn't start.	Unplugged power supply	Plug in power supply.
	The switch is defective.	Have the switch replaced by an authorized service center.

# WARRANTY

## LIMITED TWO-YEAR WARRANTY

2-year limited warranty on all Senix E series outdoor electric powered equipment.

FOR TWO YEARS from the original date of retail purchase this Senix product is warranted against defects in materials or workmanship on power tools. Defective product will receive free repair.\*

This warranty does not cover normal wear of parts and components such as cutting chain, line or blades nor does this warranty cover product transportation cost for warranty or service.

Warranty is subject to the following conditions:

- Warranty applies to the original purchaser at retail and is not transferrable\*
- The tool has not been misused, abused, neglected, altered, modified or repaired by anyone other than an authorized servicecenter
- Only genuine Senix accessories have been used with or on this product
- The tool has been subjected to normal wear and tear
- The tool has not been used for trade or professional purposes
- The tool has not been used for rental purposes
- This warranty only covers defects arising under normal usage and does not cover any malfunction, failure or defect resulting from misuse, abuse (including overloading the product, exposure to water or rain) accidents, neglect or lack of proper installation and improper maintenance or storage.

To locate your nearest Senix service provider call toll free at 800-261-3981 or email us at [service@senixtools.com](mailto:service@senixtools.com).

### Additional Limitations

Any implied warranty granted under state law, including warranties of merchantability or fitness for a particular purpose, are limited to three years from the date of purchase on power tools and chargers and seven years on batteries. The manufacturer is not responsible for direct, indirect, incidental or consequential damages. Some states and provinces do not allow limitations on how long an implied warranty lasts and/or do not allow the exclusion or limitation of incidental damages, so the above limitations and exclusions may not apply to you. This warranty gives you specific legal rights, and you may also have other rights which vary from state to state or province to province.

The YAT USA declines any responsibility in regard to civil liability arising from abusive use or not in conformity with proper use and maintenance of the machine as described in the operator's manual.

YAT USA is not responsible for direct, indirect, incidental or consequential damages.

After the purchase, the manufacturer recommends proper maintenance of the machine and to read the operator's manual before using the machine.

\*Original purchase receipt may be required for proof of purchase

For customer service contact us toll free at 1-800-261-3981 or [Senixtools.com](http://Senixtools.com).




YAT USA, Inc. 6441 Hendry Road, Suite A, Charlotte, NC 28269

# ÍNDICE

SEGURIDAD Y SÍMBOLOS INTERNACIONALES .....	15
INSTRUCCIONES DE SEGURIDAD .....	17
CONOZCA SU UNIDAD .....	23
ESPECIFICACIONES* .....	23
ENSAMBLAJE .....	23
OPERACIÓN .....	23
MANTENIMIENTO .....	24
SOLUCIÓN DE PROBLEMAS .....	24
GARANTÍA .....	25


# SEGURIDAD Y SÍMBOLOS INTERNACIONALES




Algunos de los siguientes símbolos pueden usarse en este producto. Estúdielos y aprenda su significado. La interpretación adecuada de estos símbolos le permitirá operar el producto mejor y de forma más segura.

SÍMBOLO	NOMBRE	DESIGNACIÓN/ EXPLICACIÓN
V	Voltios	Voltaje
A	Amperes	Corriente
Hz	Hertz	Frecuencia (ciclos por segundo)
Wh	Watts por hora	Capacidad de almacenamiento de energía
Ah	Amp por hora	Capacidad de corriente
~	Corriente alterna	Tipo o característica de la corriente
	Construcción de clase II	Construcción de doble aislamiento
RPM	Velocidad giratoria	Revoluciones por minuto
/min	Por minuto	Revoluciones, pasadas, velocidad de superficies, órbitas, etc., por minuto
	Alerta de condiciones de humedad	No exponer a la lluvia ni usar en lugares húmedos.
	Lea el manual del operador	Para reducir el riesgo de lesiones, el usuario debe leer y entender el manual del operador antes de usar este producto.

	Protección ocular	Siempre use protección ocular con protectores laterales con marca de que cumplen con la norma ANSI Z87.1.
	Alerta de seguridad	Precauciones relacionadas con su seguridad.
	Cabello largo	Si no mantiene el cabello largo alejado de la admisión de aire, se puede producir una lesión personal.
	Ropa suelta	Si no mantiene la ropa suelta alejada de la admisión de aire, se puede producir una lesión personal.
	Mantenga alejados a los transeúntes.	Mantenga a todos los transeúntes al menos a 50 pies de distancia.
	Tubos de soplado	No opere sin los tubos instalados en su lugar.
	Cuchillas del propulsor	Las cuchillas giratorias del propulsor pueden causar lesiones graves.
	Potencia	Siempre mantenga el cable de energía alejado de fuentes de calor, aceites o bordes filosos. Retire inmediatamente el enchufe de la conexión principal si el cable está dañado o enredado.
	Potencia	¡ADVERTENCIA! Apague la máquina y desconéctela del suministro de energía antes de inspeccionarla, limpiarla, cambiar accesorios o realizar otras tareas de mantenimiento.

Las siguientes palabras de señalización y sus significados pretenden explicar los niveles de riesgo asociados a este producto.

SÍMBOLO	SEÑAL	SIGNIFICADO
	PELIGRO	Indica una situación de peligro inminente que, si no se evita, provocará la muerte o lesiones graves.

	ADVERTENCIA	Indica una situación potencialmente peligrosa que, si no se evita, puede provocar la muerte o lesiones graves.
	PRECAUCIÓN	Indica una situación potencialmente peligrosa que, si no se evita, puede provocar lesiones leves o moderadas.
	PRECAUCIÓN	(Sin símbolo de alerta de seguridad) Indica una situación que puede provocar daños materiales.

## ¡ADVERTENCIA!

- Para evitar daños personales graves, no intente utilizar este producto hasta que no haya leído detenidamente este Manual de usuario y lo entienda por completo. Si no comprende las advertencias e instrucciones de este Manual de usuario, no utilice este producto. Llame al 800-261-3981 si desea asistencia.



La operación de cualquier herramienta eléctrica puede provocar el lanzamiento de objetos extraños a los ojos, lo que puede causar graves daños oculares. Antes de usar una herramienta eléctrica, utilice siempre gafas de protección, gafas de seguridad con protecciones laterales o una careta completa cuando sea necesario. Recomendamos una máscara de seguridad de visión amplia para utilizarla sobre los lentes o las gafas de seguridad estándar con protecciones laterales. Use siempre protección ocular que esté marcada para cumplir con la norma ANSI Z87.1.



## INSTRUCCIONES DE SEGURIDAD

### ¡ADVERTENCIA!

Lea todas las instrucciones antes de usar este producto. El incumplimiento de todas las instrucciones enumeradas a continuación puede provocar descargas eléctricas, incendios y/o lesiones personales graves.

### ANTES DE USAR

No deje sin vigilancia el aparato (soplador) cuando esté enchufado. Desenchúfelo del tomacorriente cuando no esté en uso y antes de realizarle operaciones de mantenimiento.

- Tenga especial cuidado al limpiar en escaleras.
- No lo utilice sobre superficies mojadas.
- No permita que se utilice como si fuera un juguete. Es necesario prestar mucha atención cuando se utiliza por niños o cerca de ellos.
- Use el aparato únicamente como se describe en este manual. Utilice únicamente los accesorios recomendados por el fabricante.
- Mantenga el cabello, la ropa suelta, los dedos y todas las demás partes del cuerpo lejos

de las partes móviles y de las aberturas.

- No usar con un enchufe dañado. Si el aparato no funciona como debería, o si se ha caído, dañado, dejado al aire libre o caído en el agua, llévelo a un centro de servicio autorizado.
- No exponer la lluvia cuando opere la máquina.
- Almacenar en interiores. No exponer a la lluvia ni al agua.

### CUANDO ESTÉ UTILIZANDO (ESTE APARATO)

No lo desenchufe tirando del cable. Para desenchufarlo, sujete el enchufe, no tire del cable. Apague todos los controles antes de desenchufar el aparato.

- No use herramientas eléctricas en ambientes explosivos, como ante la presencia de líquidos, gases o polvos inflamables. Las herramientas eléctricas generan chispas que pueden incendiar el polvo o los vapores.
- Nunca permita que los niños operen el equipo. Nunca permita que los adultos usen el aparato sin la instrucción adecuada.
- No cargue la unidad al aire libre.
- Use pantalones largos robustos, botas y guantes. Evite usar

prendas sueltas o joyas que podrían quedar atrapadas en las partes móviles del aparato o en su motor.

- No fuerce la herramienta. Use la herramienta eléctrica correcta para su aplicación. La herramienta correcta funcionará de forma más eficiente y segura cuando se utilice a la velocidad de funcionamiento para la que fue diseñada.
- No opere el equipo descalzo ni con sandalias o calzado ligero similar.
- Use un calzado protector que proteja sus pies y mejore su estabilidad en superficies resbaladizas.
- Recójase el cabello largo por encima del hombro para evitar que se pueda enredar en las partes móviles.
- Mantenga los pies firmes y en equilibrio. No extienda el cuerpo en exceso. Si se estira demasiado puede perder el equilibrio.
- No permita que los niños o las personas no instruidas en el uso de esta unidad la utilicen.
- No use la herramienta si el interruptor no lo enciende y apaga. Cualquier herramienta eléctrica que no pueda ser controlada con el interruptor es peligrosa y debe

repararse.

- Mantenga a los transeúntes, niños y mascotas al menos a 50 pies (15 m) de distancia.
- Sólo para uso doméstico.
- No utilice esta unidad cuando esté cansado, enfermo o bajo la influencia del alcohol, las drogas o los medicamentos.
- No operar cuando haya poca iluminación.
- Mantenga las partes de su cuerpo alejadas de cualquier parte móvil y de las superficies calientes de la unidad.
- No introduzca ningún objeto en las aberturas. No utilice el aparato si alguna de sus aberturas estuviera bloqueada. Mantenga las aberturas libres de polvo, pelusas, cabello y cualquier otra cosa que pueda reducir el flujo de aire.
- Examine el área de trabajo antes de cada uso. Retire todos los objetos que pudieran salir despedidos o que se puedan enganchar en el aparato, como piedras, vidrios rotos, clavos, alambres o cuerdas.
- Use únicamente piezas y accesorios de repuesto idénticos a los del fabricante. El uso de cualquier otra pieza puede crear un peligro o causar daños en el

producto.

## SEGURIDAD INFANTIL

Pueden ocurrir accidentes trágicos si el operador no es consciente de la presencia de niños.

- Mantenga a los niños fuera del área de trabajo y bajo el cuidado vigilante de un adulto responsable.
- No permita que los niños menores de 14 años utilicen este soplador. Los niños mayores de 14 años deben leer y entender las instrucciones de uso y las reglas de seguridad de este manual y deben ser entrenados y supervisados por su madre o su padre.
- Manténgase alerta y apague el soplador si un niño o cualquier otra persona entra en el área de trabajo.
- Tenga mucho cuidado al acercarse a esquinas ciegas, puertas, arbustos, árboles u otros objetos que puedan ocultar de su vista a un niño que pueda acceder al camino del soplador.

### ¡ADVERTENCIA! (PROPOSICIÓN 65)

El polvo creado por las acciones de lijar, aserrar, moler, taladrar y otras actividades de construcción contiene

sustancias químicas que se sabe que causan cáncer, defectos de nacimiento u otros daños al sistema reproductor. Algunos ejemplos de estos productos químicos son:

- Plomo de pinturas a base de plomo
- Sílice cristalina de ladrillos y cemento y otros productos de albañilería, y
- Arsénico y cromo de madera tratada químicamente.

El riesgo de exposición a estos productos químicos varía en función de la frecuencia con la que se realice este tipo de trabajo. Para reducir su exposición a estos productos químicos, trabaje en un área bien ventilada con equipos de seguridad aprobados, como máscaras antipolvo especialmente diseñadas para filtrar partículas microscópicas.

## SEGURIDAD ELÉCTRICA

- La protección del interruptor de circuito de falla a tierra (GFCI) debe proporcionarse en los circuitos o salidas que se utilizarán para el soplador. Hay receptáculos disponibles con protección GFCI integrada que pueden usarse para esta medida de protección.
- Para evitar descargas eléctricas,

use únicamente con un cable de extensión adecuado para uso al aire libre, como SWA, SOW-A, STW-A, STOW-A, SJW-A, SJOW-A, SJTW-A o SJTOW-A. Antes de su uso, compruebe que el cable de extensión está en buenas condiciones. Cuando utilice un cable de extensión, asegúrese de usar uno del calibre suficiente como para soportar la corriente que su aparato. Para longitudes inferiores a 50 pies (15 m), se debe utilizar un cable de extensión N° 14 AWG (o superior). Otros cables de extensión pueden causar una caída de tensión, provocando una pérdida de potencia y un sobrecalentamiento.

**⚠ ¡ADVERTENCIA!**

Una descarga eléctrica puede causar LESIONES GRAVES o LA MUERTE. Preste atención a estas advertencias:

- No permita que ninguna parte del soplador eléctrico entre en contacto con el agua mientras esté en funcionamiento. Si el aparato se moja mientras está apagado, séquelo antes de ponerlo en marcha.
- No utilice un cable de extensión de más de 100 pies (30 m).

- No toque el aparato o su enchufe con las manos mojadas o mientras esté en el agua. El uso de botas de goma ofrece cierta protección.

**TABLA DE CABLES DE EXTENSION**

Longitud del cable de extensión	Hasta 50 pies (15 m)	+50 ft. - 100 ft. (+15 m - 30 m)
Calibre del alambre (A.W.G.):	16	14

- Para reducir el riesgo de descarga eléctrica, este aparato tiene un enchufe polarizado (es decir, una cuchilla es más ancha que la otra). Utilice este aparato únicamente con un cable de extensión polarizado con clasificación UL, CSA o ETL para uso al aire libre y en cualquier condición climática. El enchufe de la herramienta se conecta a un cable de extensión polarizado en una sola posición. Si el enchufe no entra completamente en el cable de extensión, invierta el enchufe. Si el enchufe sigue sin entrar, obtenga un cable de extensión polarizado correcto. Un cable de extensión polarizado requerirá el uso de un

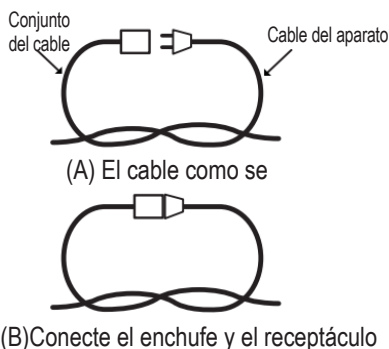
tomacorriente polarizado. Este enchufe del cable de extensión se conecta al tomacorriente polarizado en una sola posición. Si el enchufe no entra completamente en el tomacorriente, invierta el enchufe. Si el enchufe sigue sin entrar, póngase en contacto con un electricista calificado para instalar el tomacorriente adecuado. No modifique el enchufe del equipo, ni el receptáculo del cable de extensión, ni el enchufe del cable de extensión de modo alguno.

**Advertencia –** Para reducir el riesgo de lesiones personales debido a una conexión eléctrica desajustada entre el enchufe y el cable de extensión del aparato, conecte firme y completamente el enchufe del aparato al cable de extensión. Compruebe periódicamente la conexión mientras está en funcionamiento para asegurarse de que está completamente conectada. No utilice un cable de extensión con una conexión desajustada. Una conexión desajustada puede provocar un sobrecalentamiento o un incendio y aumenta el riesgo de sufrir quemaduras. Preste atención al mantenimiento del aparato: Inspeccione los cables de extensión periódicamente y sustitúyalos si

están dañados.

- Para evitar que el cable del aparato se desconecte del cable de extensión durante el funcionamiento, haga un nudo con los dos cables como se muestra en la Tabla 1.

Tabla 1. Método para asegurar un cable de extensión



- No maltrate el cable. Nunca tire del soplador por el cable ni tire del cable para desconectarlo del receptáculo. Mantenga el cable alejado del calor, el aceite y de bordes filosos.

## PREPARACIÓN

Antes de comenzar a ensamblar el producto, asegúrese de que todas las piezas estén presentes. Compare las piezas con la lista de contenidos del paquete y la lista de contenidos de los accesorios. Si falta alguna pieza o está dañada, no

intente ensamblar el producto.

Tiempo estimado de ensamblaje: 5 minutos Este aparato está provisto de doble aislamiento. Utilice únicamente piezas de repuesto idénticas. Consulte las instrucciones para el mantenimiento de los aparatos de doble aislamiento.

En un aparato con doble aislamiento, se proporcionan dos sistemas de aislamiento en lugar de la toma de tierra. No se proporciona ningún medio de conexión a tierra en un aparato con doble aislamiento, ni se debe añadir un medio de conexión a tierra al aparato. El mantenimiento de un aparato con doble aislamiento requiere un cuidado extremo y conocimientos del sistema, y debe ser realizado únicamente por personal de servicio calificado. Las piezas de repuesto de un aparato con doble aislamiento deben ser idénticas a las piezas que reemplazan.

## CONOZCA SU UNIDAD

### APLICACIONES

Modelo: BLAE12-M

Como soplador de hojas:

- Soplar hojas, pasto, ramas y agujas de pino

1	Enchufe de corriente
2	Bloqueo del cable
3	Soplador
4	Seguro del tubo
5	Tubo de soplado
6	Mango auxiliar
7	Activación de control automático
8	Asa

## ESPECIFICACIONES\*

Modelo:	BLAE12-M
Tensión nominal	120 V ~ 60 Hz
Corriente nominal	12 A
Velocidad sin carga máx	17500 RPM±10%
Configuraciones de velocidad	Velocidad variable
Volumen del aire	690 CFM
Velocidad del aire	115 MPH
Peso	6.8 lbs

Rango de temperatura ambiente recomendado:	
Rango de temperatura de almacenamiento del soplador	32° F (0°C) ~ -158°F (70°C)
Rango de temperatura de operación el soplador	32° F (0°C) ~ 104°F (40°C)

## ENSAMBLAJE

1. Desempaque todas las piezas y colóquelas en una superficie llana y estable.
2. Retire todos los materiales de embalaje y dispositivos de envío, si corresponde.
3. El alcance de la entrega varía en función del país y la variante adquirida:

Modelo de BLAE12-M.

- Soplador x1
- Tubo soplador x1

- Manual de instrucciones x1
4. Si ve que faltan partes o se ve dañado, no use el producto y póngase en contacto con el distribuidor. El uso de un producto incompleto o dañado representa un peligro para las personas y la propiedad.
  5. Asegúrese de que tiene todos los accesorios y herramientas necesarios para el ensamblaje y la operación. Esto también incluye el uso de equipos de protección personal adecuados.



### ¡ADVERTENCIA!



Póngase guantes de protección para este trabajo de ensamblaje y coloque siempre el producto sobre una superficie plana y estable cuando lo esté montando.

Siga las instrucciones de ensamblaje paso a paso y use las imágenes que se indican como guía visual para ensamblar fácilmente el producto. ¡No conecte el suministro de alimentación antes de que esté completamente ensamblada o ajustada!

## ENSAMBLAJE DEL TUBO SOPLADOR



### ADVERTENCIA:

Para evitar una puesta en marcha accidental que pueda causar lesiones personales graves, desconecte siempre el suministro de alimentación de la herramienta cuando ensamble las piezas.

Alinee el tubo del soplador con el conjunto de la carcasa del tubo. Inserte el tubo del soplador en la carcasa del tubo. Asegúrese que el pozo coincida con el botón de liberación del tubo de soplado y el seguro del tubo (Fig. 2).

## OPERACIÓN



### NOTA:

Este aparato está destinado a un uso residencial en exteriores. No lo utilice en interiores o con fines comerciales o industriales. Este aparato es solamente para uso doméstico.



### ADVERTENCIA:

Este aparato puede arrojar escombros, posiblemente causando graves lesiones personales a usted o a los transeúntes.

- No sople objetos duros como clavos, pernos o rocas.
- No opere el soplador cerca de los transeúntes o las mascotas.
- Tenga máximo cuidado al limpiar escombros de escaleras y otras áreas angostas.
- Utilice gafas de seguridad u otra protección ocular adecuada, protección auditiva, pantalones largos y calzado.

## CONEXIÓN A UNA FUENTE DE ALIMENTACIÓN

Utilice sólo un cable de extensión recomendado para uso en exteriores. Inserte el enchufe de alimentación del soplador en el cable de extensión. Fije el cable de extensión al aparato utilizando la función de bloqueo del cable moldeado (Fig. 3).

Enchufe el cable de extensión en el suministro de alimentación.

## USO DEL SOPLADOR

Asegúrese que el gatillo de control automático esté en la posición 1 y luego conecte el soplador al suministro de alimentación (Fig. 5).

Gire el gatillo del control automático en sentido horario para encender el soplador (Fig. 4).

Una vez que el soplador esté encendido, siga girando el gatillo del control automático en sentido horario para aumentar la velocidad (Fig. 4).

Cuando el gatillo esté en la posición 2, el soplador llega a la velocidad máxima (Fig. 5).

Gire el gatillo del control automático en sentido antihorario para reducir la velocidad hasta llegar a una parada completa (Fig. 6).

## OPERACIÓN DEL SOPLADOR

- Para evitar la dispersión de los escombros, sople alrededor de los bordes exteriores de una pila de escombros. Nunca sople directamente en el centro de una pila.
- Para reducir los niveles de sonido, limite el número de piezas de equipo utilizadas a la vez.
- Use rastrillos y escobas para soltar los escombros antes de soplarlos. En lugares con polvo, humedezca ligeramente las superficies cuando haya agua disponible.
- Ahorre agua utilizando sopladoras eléctricas en lugar de mangueras para muchas aplicaciones de césped y jardín, incluyendo áreas como canalones, rejillas, terrazas, parrillas, porches y jardines.
- Tenga cuidado con los niños, las mascotas, las ventanas abiertas o los autos recién lavados y sople los escombros lejos con seguridad.

- Después de usar sopladores u otros equipos, limpie bien. Deseche los escombros adecuadamente.

## MANTENIMIENTO



### ADVERTENCIA:

Para evitar lesiones personales y el riesgo de incendio y descarga eléctrica, desconecte la alimentación eléctrica antes de ajustar, inspeccionar o limpiar el soplador.

## LIMPIEZA

- Desconecte el suministro de energía.
- Cepille o sople el polvo y los escombros de los conductos de ventilación con aire comprimido o con una aspiradora. Mantenga los conductos de ventilación libres de obstrucciones, aserrín y astillas de madera. No rocíe, lave o sumerja los conductos de ventilación en agua.
- Limpie la carcasa y los componentes de plástico con un paño húmedo y suave. No utilice disolventes o detergentes fuertes en la carcasa de plástico o en los componentes de plástico. Ciertos limpiadores domésticos pueden causar daños, y pueden causar un peligro de descarga.

## ALMACENAMIENTO

Guarde el aparato y el cable de extensión en el interior, en un lugar fresco y seco, fuera del alcance de los niños y los animales.

## SOLUCIÓN DE PROBLEMAS

Si todavía tiene preguntas o un problema no resuelto después de pasar por esta guía de solución de problemas, o simplemente quiere hablar con un experto en productos Kobalt, llame a nuestro departamento de servicio al cliente de Kobalt al 800-261-3981.

PROBLEMA	POSIBLE CAUSA	SOLUCIÓN
El equipo no sopla.	Tubo obstruido	Desobstruir.
El soplador no arranca.	Suministro de alimentación no enchufado	Enchufe el suministro de alimentación.
	El interruptor está malogrado.	Que un centro de servicio autorizado reemplace el interruptor.



# GARANTÍA

## GARANTÍA LIMITADA DE DOS AÑOS

Garantía limitada por 2 años en toda la serie Senix E de equipos eléctricos para exteriores.

POR DOS AÑOS desde la fecha original de la compra minorista, este producto Senix tiene garantía contra defectos de materiales o de mano de obra en las herramientas eléctricas. El producto defectuoso recibirá una reparación gratuita.\*

La presente garantía no cubre el desgaste normal de las partes y los componentes, como la cadena de corte, la línea o las cuchillas ni tampoco cubre esta garantía el costo de transporte del producto para garantía o servicio.

La garantía está sujeta a las siguientes condiciones:

- La garantía se aplica al comprador original en comercio minorista y no es transferible\*
- La herramienta no se ha sometido a uso incorrecto, abuso, negligencia, alteración o modificación y no ha sido reparada fuera de un centro de servicio autorizado.
- Solo se han utilizado accesorios originales de Senix con o en este producto
- La herramienta presenta un desgaste normal.
- La herramienta no se ha utilizado con fines comerciales o profesionales.
- La herramienta no se ha utilizado con fines de alquiler.
- Esta garantía solo cubre defectos que ocurran bajo el uso normal y no cubre casos de mal funcionamiento, fallo o defecto que emanen de un uso incorrecto, abuso (incluyendo sobrecarga del producto, exposición al agua o la lluvia), accidentes, negligencia o no realizar una correcta instalación, mantenimiento o almacenamiento.

Para localizar a su proveedor de servicios de Senix más cercano, llame gratis al 800-261-3981 o envíenos un correo electrónico a [service@senixtools.com](mailto:service@senixtools.com).

### Limitaciones adicionales

Cualquier garantía implícita otorgada en virtud de las leyes estatales, incluidas las garantías de comerciabilidad o idoneidad para un propósito particular, se limita a tres años a partir de la fecha de compra para herramientas eléctricas y cargadores y siete años para baterías. El fabricante no asume ninguna responsabilidad por daños directos, indirectos, incidentales o consecuentes. Algunos estados y provincias no permiten limitaciones en cuanto a la duración de una garantía implícita o no permiten la exclusión o limitación de daños incidentales, por lo que es posible que las limitaciones y exclusiones anteriores no se apliquen a usted. Esta garantía le otorga derechos legales específicos, y usted también puede tener otros derechos que varían de un estado a otro o de una provincia a otra. YAT USA no asume ninguna responsabilidad con respecto a la responsabilidad civil que emane de un uso abusivo o no conforme al uso y mantenimiento adecuados de la máquina, descritos en el manual del operador. YAT USA no asume ninguna responsabilidad por daños directos, indirectos, incidentales o consecuentes.

Después de la compra, el fabricante recomienda el mantenimiento adecuado de la máquina y leer el manual del operador antes de utilizar la máquina.

\*Se puede exigir un recibo de compra original como justificante de compra

Para acceder al servicio de atención al cliente, póngase en contacto con nosotros llamando al número gratuito 1-800-261-3981 o visitando [Senixtools.com](http://Senixtools.com).



YAT USA, Inc. 6441 Hendry Road, Suite A, Charlotte, NC 28269.

# TABLE DES MATIÈRES

SÉCURITÉ ET SYMBOLES INTERNATIONAUX.....	26
INSTRUCTIONS DE SÉCURITÉ .....	28
DESCRIPTION DE VOTRE APPAREIL.....	34
SPÉCIFICATIONS* .....	34
ASSEMBLAGE .....	34
FONCTIONNEMENT.....	34
ENTRETIEN .....	35
GUIDE DE DÉPANNAGE .....	35
GARANTIE .....	36

## SÉCURITÉ ET SYMBOLES INTERNATIONAUX

Certains des symboles suivants peuvent être utilisés sur ce produit. Veuillez les étudier et apprendre leur signification. Une interprétation correcte de ces symboles vous permettra d'utiliser le produit de manière plus efficace et plus sûre.

SYMBOLE	NOM	DÉSIGNATION / EXPLICATION
V	Volts	Tension
A	Ampères	Courant
Hz	Hertz	Fréquence (cycles par seconde)
Wh	Watt-heure	Capacité de stockage d'énergie
Ah	Ampère-heure	Capacité en courant
~	Courant alternatif	Type ou caractéristique du courant
	Construction de classe II	Construction à double isolation
RPM	Vitesse de rotation	Révolutions par minute
/min	Par minute	Révolutions, courses, vitesse de surface, orbites, etc., par minute
	Alerte aux conditions humides	Ne l'exposez pas à la pluie et ne l'utilisez pas dans des endroits humides ou mouillés.

	Lisez le manuel d'utilisation	Pour réduire le risque de blessure, l'utilisateur doit lire et comprendre le manuel d'utilisation avant d'utiliser ce produit.
	Protection des yeux	Portez toujours une protection oculaire avec des écrans latéraux marqués pour être conformes à la norme ANSI Z87.1.
	Alerte de sécurité	Précautions qui impliquent votre sécurité.
	Cheveux longs	Ne pas maintenir les cheveux longs éloignés de l'entrée d'air peut entraîner des blessures corporelles.
	Vêtements amples	Ne pas empêcher les vêtements amples d'être aspirés dans la prise d'air peut entraîner des blessures.
	Éloignez les passants.	Assurez-vous que toutes les personnes restent à une distance d'au moins 50 pieds (15 m).
	Tube de soufflage	Ne faites pas fonctionner l'appareil si les tubes ne sont pas en place.
	Pales de la turbine	Les pales de la turbine en rotation peuvent causer des blessures graves.
	Alimentation	Gardez toujours le câble d'alimentation à l'écart des sources de chaleur, des huiles ou des bords tranchants. Retirez immédiatement la fiche du secteur si le câble est endommagé ou emmêlé.
	Alimentation	<b>AVERTISSEMENT !</b> Éteignez la machine et débranchez-la de l'alimentation électrique avant d'inspecter, de nettoyer, de changer les accessoires ou d'effectuer toute autre tâche d'entretien.

Les mots de signalisation suivants et leurs significations ont pour but d'expliquer les niveaux de risque associés à ce produit.

SYMBOLE	SIGNAL	SIGNIFICATION
	DANGER	Indique une situation de danger imminent qui, si elle n'est pas évitée, entraînera la mort ou des blessures graves.
	AVERTISSEMENT	Indique une situation potentiellement dangereuse qui, si elle n'est pas évitée, pourrait entraîner la mort ou des blessures graves.
	ATTENTION	Indique une situation potentiellement dangereuse qui, si elle n'est pas évitée, peut entraîner des blessures mineures ou modérées.
	ATTENTION	(Sans symbole d'alerte de sécurité) Indique une situation pouvant entraîner des dommages matériels.



## AVERTISSEMENT !

• Pour éviter toute blessure corporelle grave, n'essayez pas d'utiliser ce produit avant d'avoir lu attentivement ce manuel d'utilisation et de l'avoir entièrement compris. Si vous ne comprenez pas les avertissements et les instructions de ce manuel, n'utilisez pas ce produit. Appelez le 800-261-3981 pour obtenir de l'aide.



L'utilisation de tout outil électrique peut entraîner la projection de corps étrangers dans les yeux, ce qui peut provoquer de graves lésions oculaires. Avant d'utiliser un outil électrique, portez toujours des lunettes de sécurité, des lunettes avec des écrans latéraux ou un masque complet si nécessaire. Nous recommandons un masque de sécurité à large vision à utiliser par-dessus des lunettes de vue ou des lunettes de sécurité standard avec des écrans latéraux. Utilisez toujours une protection oculaire marquée conforme à la norme ANSI Z87.1.

## INSTRUCTIONS DE SÉCURITÉ

### AVERTISSEMENT !

Lisez et comprenez toutes les instructions avant d'utiliser ce produit. Le non-respect des consignes de sécurité et des instructions peut être à l'origine d'électrocutions, d'incendies et/ou de blessures graves.

### AVANT L'UTILISATION

Ne laissez pas l'appareil (souffleur) sans surveillance une fois branché. Débranchez l'appareil de la prise électrique quand vous ne l'utilisez pas et avant de le réparer.

- Faites extrêmement attention lorsque vous nettoyez des escaliers.
- N'utilisez pas cet appareil sur des surfaces humides.
- Ne laissez pas les enfants jouer avec cet appareil. Une attention particulière est nécessaire lorsqu'il est utilisé par ou près d'enfants.
- Utilisez uniquement ce produit comme décrit dans ce manuel d'utilisation. Utilisez uniquement les accessoires recommandés par le fabricant.
- Maintenez les cheveux, les vêtements amples, les doigts et toutes les parties du corps à distance des ouvertures et des

pièces en mouvement.

- N'utilisez pas l'appareil si sa fiche est endommagée. Si l'outil ne fonctionne pas comme il devrait, s'il est tombé, endommagé, laissé à l'extérieur, ou s'il est tombé dans l'eau, apportez-le à un centre de réparation agréé.
- N'exposez pas l'appareil à la pluie pendant l'utilisation.
- Rangez l'appareil en intérieur. N'exposez pas l'appareil à la pluie ou à l'eau.

### LORS DE L'UTILISATION DE CET APPAREIL

- Ne débranchez pas l'appareil en tirant sur le cordon d'alimentation. Pour débrancher l'appareil, saisissez la fiche et non le câble d'alimentation. Éteignez toutes les commandes avant de le débrancher.
- N'utilisez pas un outil électrique dans une atmosphère explosive, par exemple en présence de liquides, de gaz ou de poussières inflammables. Les outils électriques génèrent des étincelles pouvant enflammer les poussières et les vapeurs.
  - Ne permettez jamais aux enfants d'utiliser cet appareil. Ne laissez jamais des adultes utiliser l'appareil sans instructions

appropriées.

- Ne chargez pas cet appareil en extérieur.
- Portez des pantalons longs, des bottes et des gants. Ne portez pas de vêtements amples, ni de bijoux, car ils risquent d'être entraînés dans les pièces mobiles.
- Ne forcez pas l'appareil. Utilisez l'outil électrique approprié au travail que vous voulez effectuer. L'outil approprié fonctionnera plus efficacement et en toute sécurité s'il est utilisé à la vitesse à laquelle il a été conçu.
- N'utilisez pas l'appareil quand vous êtes pieds nus ou si vous portez des sandales ou des chaussures légères similaires.
- Portez des chaussures de protection qui permettent de protéger vos pieds et avoir de meilleurs appuis sur les sols glissants.
- Attachez les cheveux longs pour qu'ils soient au-dessus des épaules afin d'éviter tout risque d'enchevêtrement dans les pièces mobiles.
- Restez toujours d'aplomb et gardez constamment un bon équilibre. Ne tenez pas d'atteindre des endroits éloignés de votre corps. Cela pourrait provoquer une

perte d'équilibre.

- Ne laissez pas des enfants ou des personnes non entraînées utiliser cet appareil.
- N'utilisez pas l'outil électrique si son interrupteur ne permet pas de le mettre sous tension et hors tension. Tout outil électrique qui ne peut pas être contrôlé par son interrupteur marche/arrêt est dangereux et doit être réparé.
- Gardez tous les passants, les enfants et les animaux domestiques à une distance d'au moins 50 pieds. (15 m).
- Pour un usage domestique seulement.
- N'utilisez pas cet appareil quand vous êtes fatigué(e), malade ou sous l'influence d'alcool, de drogues ou de médicaments.
- Ne faites pas fonctionner l'appareil sous un faible éclairage.
- Veillez à maintenir toutes les parties de votre corps éloignées du mécanisme de coupe et des surfaces chaudes.
- N'insérez aucun objet dans les ouvertures. N'utilisez pas cet appareil avec des ouvertures bouchées. Veillez à ce que les ouvertures de ventilation restent exemptes de poussière, peluches, cheveux et tout ce qui pourrait

réduire le flux d'air.

- Vérifiez la zone de travail avant chaque utilisation. Enlevez tous les objets tels que les pierres, le verre brisé, les clous, les fils métalliques ou les ficelles qui pourraient être projetés ou coincés dans l'outil.
- Utilisez uniquement des pièces de rechange et des accessoires du fabricant. L'utilisation de toute autre pièce peut créer un danger ou détériorer le produit.

## SÉCURITÉ DES ENFANTS

Un accident tragique peut se produire si l'utilisateur ne garde pas à l'esprit que des enfants sont présents.

- Veillez à ce que les enfants restent hors de l'aire de travail et sous la surveillance d'un adulte responsable.
- Ne laissez pas les enfants de moins de 14 ans pour faire fonctionner ce souffleur. Les enfants âgés de 14 ans et plus doivent lire et comprendre les instructions d'utilisation et les règles de sécurité de ce manuel et doivent être formés et supervisés par un parent.
- Restez vigilant(e) et éteignez le souffleur si un enfant ou une autre personne pénètre dans l'aire de

travail.

- Faites extrêmement attention lorsque vous vous approchez d'angles morts, de portes, d'arbustes, d'arbres ou de tout autre objet susceptible de gêner votre vue car un enfant, par exemple, pourrait courir sur le passage du souffleur.

## **AVERTISSEMENT !** **(PROPOSITION 65)**

Certaines poussières engendrées par ponçage, sciage, meulage, perçage et d'autres travaux du domaine de la construction contiennent des substances chimiques considérées comme cancérigènes, tératogènes ou nocives pour les fonctions reproductrices. Liste non exhaustive de ces substances :

- Le plomb contenu dans les peintures au plomb.
- La silice cristalline des briques, du ciment et d'autres matériaux de construction, et
- L'arsenic et le chrome du bois de construction traité chimiquement.

Les risques engendrés par l'exposition à ces substances dépendent de la fréquence de ce type de travaux. Pour réduire votre exposition à ces produits

chimiques, travaillez dans des endroits bien aérés et en utilisant des équipements de sécurité homologuée, tels que des masques anti-poussières spécifiquement conçus pour filtrer les particules microscopiques.

## SÉCURITÉ ÉLECTRIQUE

- Un disjoncteur de protection à la terre (DDFT) doit être fourni sur le(s) circuit(s) de sortie d'air pour utiliser le souffleur. Les boîtiers sont disponibles avec une protection GFCI intégrée et doivent être utilisés pour cette mesure de protection.
- Pour éviter tout risque d'électrocution, utilisez uniquement une rallonge adaptée à une utilisation en extérieur, telle que SWA, SOW-A, STW-A, STOW-A, SJW-A, SJOW-A, SJTW-A ou SJTOW-A. Avant l'utilisation, assurez-vous que la rallonge est en bon état électrique. Lorsque vous utilisez une rallonge, veillez à en utiliser une suffisamment puissante pour supporter le courant que votre produit consommera. Pour une longueur inférieure à 50 pieds (15 m), une rallonge électrique de type No.14 AWG (ou supérieur)

doit être utilisée. Une rallonge sous-dimensionnée provoquera une chute de tension entraînant une perte de puissance et une surchauffe.

## AVERTISSEMENT !

Un choc électrique peut causer des BLESSURES GRAVES ou la MORT. Tenez compte de ces avertissements :

- Ne laissez aucune partie du souffleur électrique entrer en contact avec de l'eau lorsqu'il est en marche. Si l'appareil est mouillé alors qu'il est éteint, essuyez-le avant de le mettre en marche.
- N'utilisez pas de rallonge électrique de plus de 30 m (100 pieds).
- Ne touchez pas l'appareil ou sa fiche avec des mains mouillées ou en étant debout dans l'eau. Le port de bottes en caoutchouc offre une certaine protection.

## TABLEAU DES RALLONGES ÉLECTRIQUES

Longueur de la rallonge	Jusqu'à 15 m (50 pieds)	+ de 15 m à 30 m (+ de 50 à 100 pieds)
Calibre des fils (A.W.G.) :	16	14

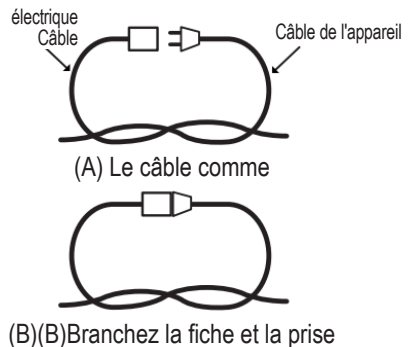
- Pour réduire le risque de choc électrique, cet appareil est pourvu d'une fiche polarisée (l'une des broches est plus large que l'autre). Utilisez cet appareil exclusivement avec une UL, CSA ou CERTIFICATIONS ETL rallonge nominale pour un usage en extérieur, utilisez tout temps. La fiche de l'appareil ne peut s'insérer dans une rallonge électrique polarisée dans un seul sens uniquement.

Si la fiche ne s'insère pas complètement dans la prise secteur, inversez la prise. Si la prise ne correspond toujours pas, procurez-vous une rallonge polarisée appropriée. Une rallonge polarisée doit être branchée sur une prise murale polarisée. Cette prise d'alimentation ne pourra être insérée que d'une seule façon dans une prise polarisée. Si la prise ne s'insère pas complètement dans la prise secteur, inversez la prise. Si la fiche ne s'insère toujours pas, contactez un électricien qualifié pour l'installer correctement dans une prise. Ne modifiez pas la prise de l'appareil, le boîtier de la rallonge ou la prise de la rallonge de quelque manière que ce soit. Avertissement

– afin de réduire les risques de blessures corporelles dus à une connexion électrique entre la fiche de l'appareil et la rallonge électrique, fixez fermement et complètement l'appareil branché sur une rallonge électrique. Inspectez régulièrement la connexion pendant l'utilisation pour vérifier qu'il n'est pas entièrement assemblé. N'utilisez pas de rallonge électrique fournissant une connexion. Une connexion lâche peut provoquer une surchauffe, un incendie, et accroît le risque de brûlure. Entretenez l'appareil avec soin - Inspectez périodiquement les rallonges et remplacez-les si elles sont endommagées.

- Pour éviter que le câble d'alimentation de l'appareil ne se débranche pendant l'utilisation de la rallonge électrique, faites un nœud avec les deux câbles, comme illustré dans le tableau 1.

Tableau 1 Méthode de fixation de la rallonge





- Prenez soin du câble d'alimentation. Ne transportez jamais le souffleur en le tenant par son câble et ne tirez par sur le câble pour le déconnecter de la prise. Gardez le câble éloigné de la chaleur, de l'huile et des arêtes vives.

extrême et une connaissance du système, et ne doit être effectué que par un personnel qualifié. Les pièces de rechange pour un appareil à double isolation doivent être identiques aux pièces qu'elles remplacent.

## PRÉPARATIONS

Avant de commencer l'assemblage du produit, assurez-vous que toutes les pièces sont présentes. Comparez les pièces avec la liste du contenu de l'emballage et la liste du contenu du matériel. Si une pièce est manquante ou endommagée, n'essayez pas d'assembler le produit.

Durée d'assemblage estimée : 5 minutes Cet appareil est fourni avec une double isolation. N'utilisez que des pièces de rechange identiques. Voir les instructions d'entretien des appareils à double isolation.

Dans un appareil à double isolation, deux systèmes d'isolation sont fournis au lieu d'une mise à la terre. Aucun moyen de mise à la terre n'est prévu sur un appareil à double isolation, et aucun moyen de mise à la terre ne doit être ajouté à l'appareil. L'entretien d'un appareil à double isolation exige un soin

# DESCRIPTION DE VOTRE APPAREIL

## APPLICATIONS

Modèle : BLAE12-M

Comme souffleur de feuilles :

- Pour souffler les feuilles, les herbes, les brindilles et les aiguilles de pin.

1	Fiche d'alimentation
2	Verrouillage du câble
3	Souffleur
4	Loquet du tube
5	Tube de soufflage
6	Poignée auxiliaire
7	Gâchette du régulateur de vitesse
8	Poignée

## SPÉCIFICATIONS\*

Modèle :	BLAE12-M
Tension nominale	120 V ~ 60 Hz
Courant nominal	12 A
Vitesse maximale à vide	17500 TR / MIN $\pm$ 10%
Réglage de la vitesse	Vitesse variable
Volume d'air	690 PCM
Vitesse de l'air	115 MPH
Poids	6,8 livres

La plage de température ambiante recommandée :

Plage de température de stockage du souffleur	32° F (0°C) ~ -158°F (70°C)
Température de fonctionnement du ventilateur	32° F (0°C) ~ 104°F (40°C)

## ASSEMBLAGE

1. Déballez toutes les pièces et posez-les sur une surface plane et stable.
2. Retirez tous les matériaux d'emballage et les dispositifs d'expédition, le cas échéant.
3. L'étendue de la livraison varie en fonction du pays et de

la variante achetée :

Modèle BLAE12-M

- Souffleur x 1
  - Tube de soufflage x 1
  - Manuel d'instructions x 1
4. Si vous constatez que des pièces sont manquantes ou présentent des dommages, n'utilisez pas le produit mais contactez votre revendeur. L'utilisation d'un produit incomplet ou endommagé représente un danger pour les personnes et les biens.
  5. Assurez-vous que vous disposez de tous les accessoires et outils nécessaires à l'assemblage et à l'utilisation. Cela comprend également un équipement de protection individuelle approprié.



### AVERTISSEMENT :



Portez des gants de protection pour ce travail d'assemblage et posez toujours le produit sur une surface plane et stable lors de l'assemblage.

Suivez les instructions de montage étape par étape et utilisez les images fournies comme guide visuel pour assembler facilement le produit ! Ne branchez pas l'outil à l'alimentation électrique avant qu'il ne soit complètement assemblé ou réglé !

## ASSEMBLAGE DU TUBE DE SOUFFLAGE



### AVERTISSEMENT :

Pour éviter tout démarrage accidentel susceptible de provoquer des blessures graves, débranchez toujours l'alimentation électrique de l'outil lorsque vous assemblez des pièces.

Alignez le tube de soufflage avec le boîtier du tube. Insérez le tube de soufflage dans le boîtier du tube. Assurez-vous que le bouton de libération du tube de soufflage et le loquet du tube correspondent bien (schéma 2).

## FONCTIONNEMENT



### REMARQUE :

Cet appareil est destiné à un usage extérieur et résidentiel uniquement. Ne l'utilisez pas à l'intérieur ou à des fins commerciales ou industrielles. Cet appareil est destiné à un usage domestique uniquement.



## AVERTISSEMENT :

Cet appareil peut projeter des débris, ce qui peut causer des blessures graves à vous-même ou à des personnes à proximité.

- Ne soufflez pas sur des objets durs tels que des clous, des boulons ou des pierres.
- N'utilisez pas le souffleur à proximité de personnes présentes ou d'animaux domestiques.
- Faites très attention lorsque vous nettoyez des débris dans des escaliers ou d'autres endroits étroits.
- Portez des lunettes de sécurité ou une autre protection oculaire appropriée, une protection auditive, un pantalon long et des chaussures.

## CONNEXION À UNE SOURCE D'ALIMENTATION

Utilisez uniquement une rallonge recommandée pour une utilisation en extérieur. Insérez la fiche d'alimentation du souffleur dans la rallonge électrique. Fixez la rallonge à l'appareil à l'aide du dispositif de verrouillage du câble moulé (schéma 3). Branchez la rallonge dans l'alimentation électrique.

## UTILISATION DU SOUFFLEUR

Assurez-vous que la gâchette du régulateur de vitesse est en position 1, puis branchez le souffleur à l'alimentation électrique (schéma 5).

Tournez la gâchette du régulateur de vitesse dans le sens des aiguilles d'une montre pour mettre le souffleur en marche (schéma 4).

Une fois le souffleur en marche, continuez à tourner la gâchette du régulateur de vitesse dans le sens des aiguilles d'une montre pour augmenter la vitesse (schéma 4).

Lorsque la gâchette est en position 2, la soufflante atteint la vitesse maximale (schéma 5).

Tournez la gâchette du régulateur de vitesse dans le sens inverse des aiguilles d'une montre pour réduire la vitesse jusqu'à l'arrêt complet (schéma 6).

## FONCTIONNEMENT DU SOUFFLEUR

- Pour éviter de disperser les débris, soufflez autour des bords extérieurs du tas de débris. Ne soufflez jamais directement au centre d'un tas.
- Pour réduire le niveau sonore, limitez le nombre d'outils utilisés au même moment.
- Utilisez un râteau et un balai pour détacher les débris avant de souffler. Dans des conditions poussiéreuses, humidifiez légèrement les surfaces lorsque de l'eau est

disponible.

- Économisez l'eau en utilisant le souffleur au lieu d'un tuyau d'arrosage pour de nombreuses applications sur la pelouse et dans le jardin, y compris les gouttières, les écrans, les patios, les grilles, les porches et les jardins.
- Faites attention aux enfants, aux animaux domestiques, aux fenêtres ouvertes ou aux voitures fraîchement lavées, et soufflez les débris en toute sécurité.
- Après avoir utilisé le souffleur ou un autre équipement, nettoyez-le ! Jetez les débris d'une manière appropriée.

## ENTRETIEN



### AVERTISSEMENT :

Afin d'éviter toute blessure corporelle et tout risque d'incendie et de choc électrique, débranchez l'alimentation électrique avant de régler, d'inspecter ou de nettoyer le souffleur.

## NETTOYAGE

- Débranchez l'alimentation électrique.
- Brossez ou soufflez les poussières et les débris accumulés dans les bouches d'aération à l'aide d'air comprimé ou d'un aspirateur. Gardez les bouches d'aération exemptes d'obstructions, de sciure de bois et de copeaux de bois. Ne vaporisez pas, ne lavez pas et n'immergez pas les bouches d'aération dans l'eau.
- Essuyez le boîtier et les composants en plastique à l'aide d'un chiffon doux et humide. N'utilisez pas de solvants ou de détergents puissants sur le boîtier en plastique ou sur les composants en plastique. Certains nettoyants ménagers peuvent causer des dommages ou causer un choc électrique.

## ENTREPOSAGE

Rangez l'appareil et la rallonge à l'intérieur, dans un endroit frais et sec, hors de portée des enfants et des animaux.

## GUIDE DE DÉPANNAGE

Si vous avez encore des questions ou un problème non résolu après avoir parcouru ce guide de dépannage, ou si vous souhaitez simplement parler à un expert en produits Kobalt, veuillez appeler notre service clientèle Kobalt au 800-261-3981.

PROBLÈME	CAUSE POSSIBLE	SOLUTION
L'appareil ne souffle pas.	Le tube est bloqué.	Délogez le blocage.
Le souffleur ne démarre pas.	Alimentation électrique débranchée	Branchez l'alimentation électrique.
	L'interrupteur est défectueux.	Faites remplacer l'interrupteur par un centre d'entretien agréé.

## GARANTIE

### GARANTIE LIMITÉE DE DEUX ANS

Garantie limitée de 2 ans sur tous les équipements extérieurs alimentés à l'électricité de la série Senix E.

Ce produit Senix est garanti DURANT DEUX ANS à compter de la date d'achat d'origine, contre les défauts de matériaux ou de fabrication sur les outils électriques. Le produit défectueux sera réparé gratuitement. \*

Cette garantie ne couvre pas l'usure normale des pièces et des composants tels que la chaîne de coupe, la ligne ou les lames, et cette garantie ne couvre pas les frais de transport du produit pour la garantie ou l'entretien.

La garantie est sujette aux deux conditions suivantes :

- La garantie s'applique à l'acheteur original au détail et n'est pas transférable\*
- L'outil n'a pas été utilisé incorrectement, abusé, négligé, altéré, modifié ou réparé par quiconque d'autre qu'un centre d'entretien autorisé.
- Seuls les accessoires Senix authentiques ont été utilisés avec ou sur ce produit.
- L'outil a été soumis à une usure normale.
- L'outil n'a pas été utilisé à des fins commerciales ou professionnelles
- L'outil n'a pas été utilisé à des fins locatives.
- Cette garantie ne couvre que les défauts résultant d'une utilisation normale et ne couvre pas les dysfonctionnements, défaillances ou défauts résultant d'une utilisation incorrecte, d'un abus (surcharge du produit, exposition à l'eau ou à la pluie), d'une négligence ou d'un défaut d'installation, d'entretien ou de stockage.

Pour localiser votre fournisseur de services Senix le plus proche, appelez gratuitement le 800-261-3981 ou envoyez-nous un e-mail sur [service@senixtools.com](mailto:service@senixtools.com).

### Limitations supplémentaires

Toute garantie implicite accordée en vertu de la législation en vigueur, y compris les garanties de qualité marchande ou d'adéquation à un usage particulier, est limitée à trois ans à compter de la date d'achat pour les outils électriques et les chargeurs et à sept ans pour les batteries. Le fabricant n'est pas responsable des dommages directs, indirects, accessoires ou consécutifs. Certains états et provinces n'autorisent pas les limitations sur la durée d'une garantie implicite et / ou n'autorisent pas l'exclusion ou la limitation des dommages accessoires, et dans ce cas, les restrictions décrites précédemment ne s'appliquent pas. Cette garantie vous donne des droits légaux spécifiques, et vous pouvez également avoir d'autres droits qui varient d'un état à l'autre ou d'une province à l'autre. YAT USA décline toute responsabilité en matière de responsabilité civile résultant d'une utilisation abusive ou non conforme à une utilisation et une maintenance correctes de la machine telles que décrites dans le manuel de l'utilisateur.

YAT USA n'est pas responsable des dommages directs, indirects, accessoires ou consécutifs.

Après l'achat, le fabricant recommande un entretien approprié de la machine et de lire le manuel de l'utilisateur avant d'utiliser la machine.

\* Un reçu d'achat original peut être exigé comme preuve d'achat.

Pour le service à la clientèle, contactez-nous gratuitement au 1-800-261-3981 ou sur [Senixtools.com](http://Senixtools.com).

YAT USA, Inc. 6441 Hendry Road, Suite A, Charlotte, NC 28269.