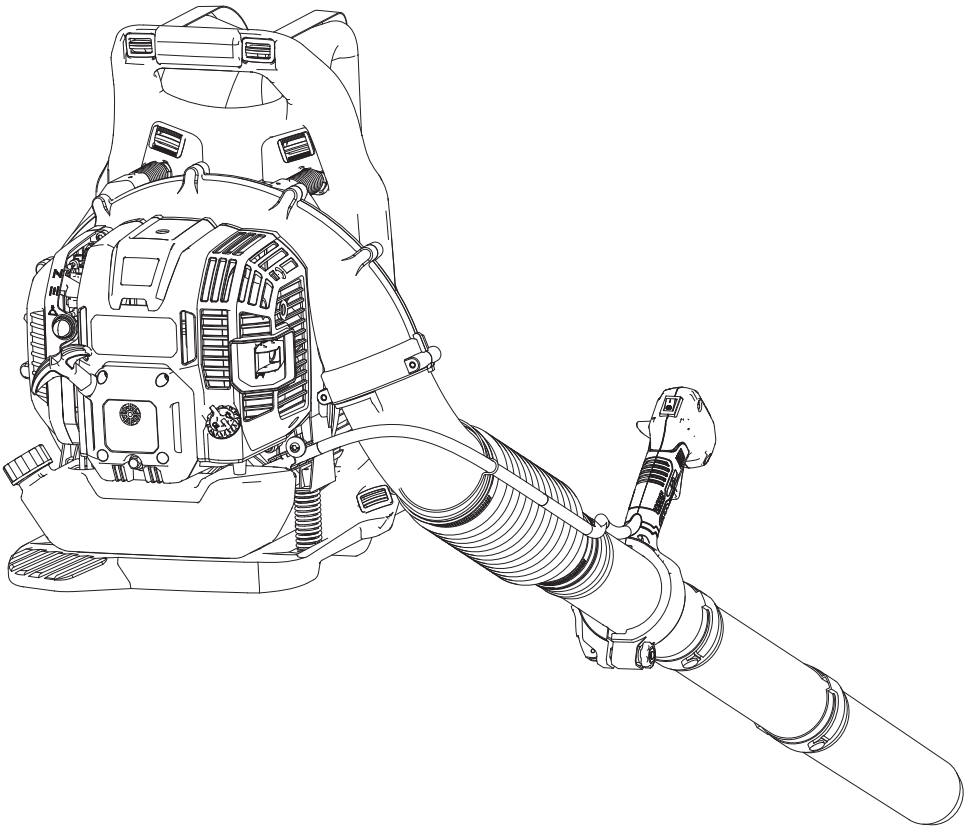




4-CYCLE 49 CC ENGINE GASOLINE BLOWER

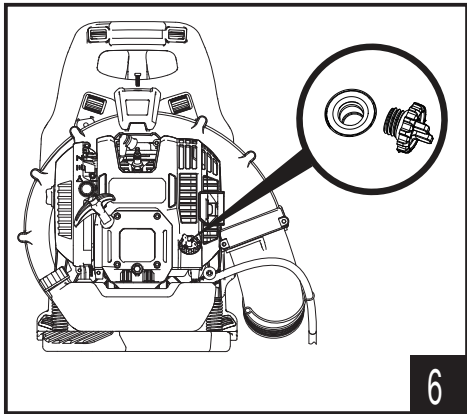
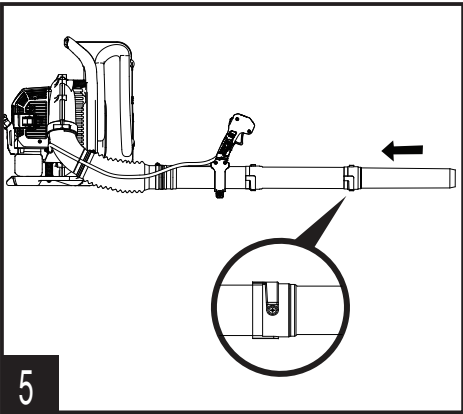
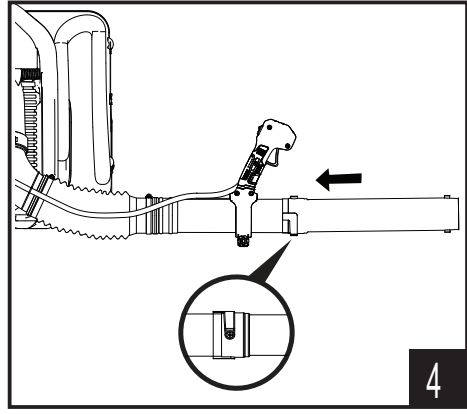
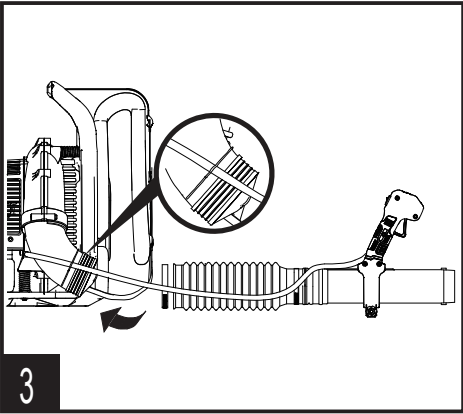
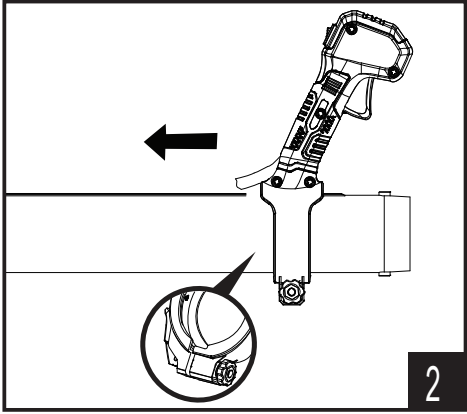
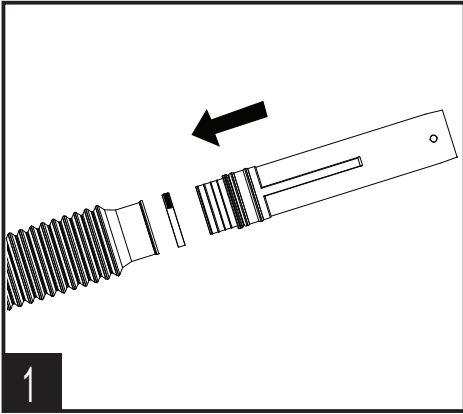
Operator's manual

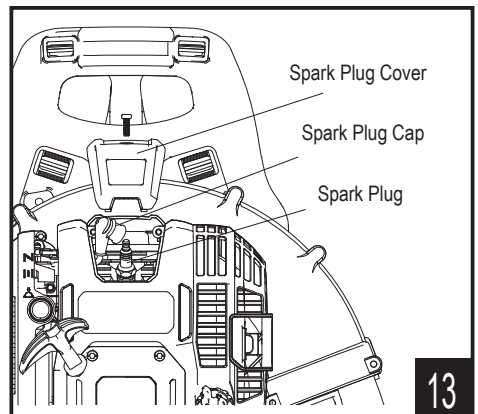
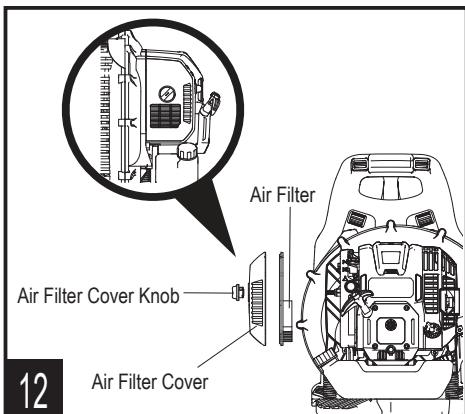
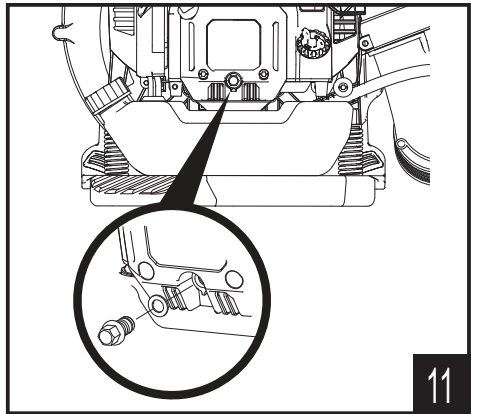
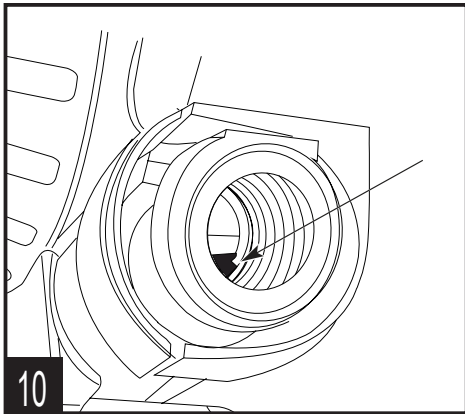
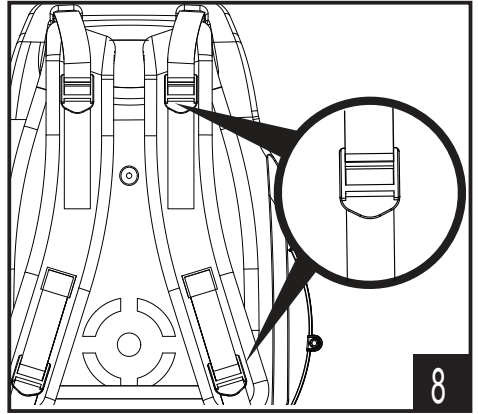
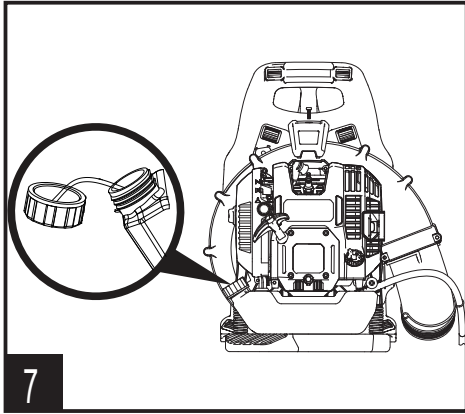
Model: BLB4QL-M



For customer support, please call 1-800-261-3981 or send email to:
senix.service@yat.com
SAVE THIS MANUAL FOR FUTURE REFERENCE.

ORIGINAL INSTRUCTIONS





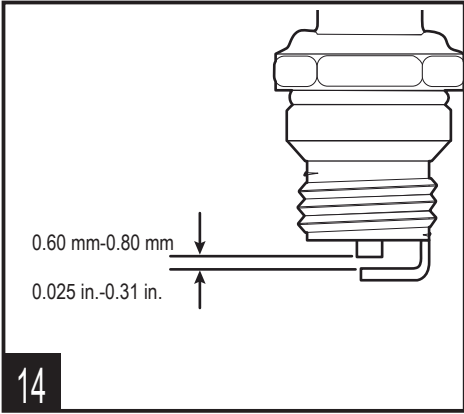


TABLE OF CONTENTS

SAFETY & INTERNATIONAL SYMBOLS5
 SAFETY INSTRUCTIONS.....6
 KNOW YOUR UNIT.....11
 SPECIFICATIONS*.....11
 ASSEMBLY.....12
 FUEL AND OIL.....12
 OPERATION.....13
 MAINTENANCE.....14
 TROUBLESHOOTING.....16
 WARRANTY.....17

SAFETY & INTERNATIONAL SYMBOLS

Explanation of Safety & international symbols describes safety and international symbols and pictographs that may appear on this product. Read the operator's manual for complete safety, assembly, operating and maintenance and repair information.



Caution/ Warning.
WARNING-To reduce the risk of injury, user must read instruction manual.



Risk of flying objects or debris.
 Be aware of that there is a risk of flying objects and/or debris when using the machine.
 Keep all bystanders at least 50feet (15m) away.



Wear hearing protection.



Wear eye protection.



Wear a dust mask.



Wear protective gloves.



Wear Sturdy, non-slip footwear.



Always use clean, fresh unleaded fuel.



Refer to operator's manual for the proper type of oil.



It has been proven that fuel containing greater than 10% ethanol will likely damage this engine and void the warranty.



Rotating impeller blades can cause severe injury.



Failure to keep loose clothing from being drawn into air intake could result in personal injury.



Failure to keep long hair away from the air inlet could result in personal injury.



Do not touch a hot muffler or cylinder. You may get burned. These parts get extremely hot from operation. When turned off, they remain hot for a short time.



Thrown objects can ricochet and result in personal injury or property damage.

SAFETY INSTRUCTIONS

Safety is a combination of common sense, staying alert and knowing how your item works. **SAVE THESE SAFETY INSTRUCTIONS.**

WARNING!

To reduce the risk of injury, user must read and understand operator's manual.

WARNING!

To avoid mistakes and serious injury, do not use this tool until the following steps have been read and understood.

1. Read the instructions carefully. Be familiar with the controls and proper use of the unit.
2. Do not operate this unit when tired, ill or under the influence of alcohol, drugs or medication.
3. Never allow children to operate the unit. Teens must be trained, accompanied and supervised by an adult. Never allow adults to operate the unit without proper instruction.
4. All guards and safety attachments must be installed properly before operating the unit.
5. Inspect the unit before use.
6. Be aware of risk of injury to the head, hands and feet.
7. Carefully inspect the area before starting the unit. Remove rocks, broken glass, nails, wire, string and other objects that may be thrown or become entangled with the unit.
8. Clear the area of children, bystanders and pets; keep them outside a 50-foot (15 m) radius, at a minimum. Even then, they are still at risk from thrown objects. Encourage bystanders to wear eye protection. If you are approached, stop the unit immediately.
9. Squeeze the throttle control and check that it returns automatically to the idle position. Make all adjustments or repairs before using the unit.
10. Do not change the engine governor settings or over speed the engine.
11. This unit is intended for occasional, household use only.

Replace damaged parts. Check for fuel leaks. Make sure all fasteners are in place and secure. Replace parts that are cracked, chipped, or damaged in any way. Do not operate the unit with loose or damaged parts.

SAFETY WARNING FOR GAS UNIT

When using the unit, all safety instructions must be followed. Please read these instructions before operating the unit in order to ensure the safety of the operator and any bystanders. Please keep these instructions for later use.

WARNING!

Gasoline is highly flammable and its vapors can explode if ignited. Take the following precautions: Store fuel only in containers specifically designed and approved for the storage of such materials.

1. Always stop the engine and allow it to cool before filling the tank. Never remove the fuel tank cap or add fuel when the engine is hot. Always loosen the fuel tank cap slowly to relieve any pressure in the tank before fueling.
2. Always add fuel in a clean, well-ventilated outdoor area where there are no sparks or flames. DO NOT smoke.
3. Never operate the unit without the fuel cap securely in place.
4. Avoid creating a source of ignition for spilled fuel. Wipe up

any spilled fuel from the unit immediately, before starting the unit. Move the unit at least 30 ft. (9.1 m) from the fueling source and site before starting the engine. DO NOT smoke.

5. Never start or run the unit inside a closed room or building. Breathing exhaust fumes can kill. Operate this unit only in a well ventilated outdoor area.

FUELING

1. Fuel is highly flammable. Take precautions when using to reduce the chance of serious personal injury.
2. Store fuel in a cool, well-ventilated area, safely away from spark and/or flame-producing equipment.
3. Store fuel in containers specifically designed for this purpose.
4. Only refuel outdoors and do not smoke while refueling.
5. Add fuel before starting the engine. Never remove the cap of the fuel tank or add fuel while the engine is running or when the engine is hot.
6. Do not smoke while handling fuel.
7. Loosen fuel tank cap slowly to

release pressure and to keep fuel from escaping around the cap.

8. Tighten the fuel tank cap securely after refueling.
9. Wipe spilled fuel from the unit. Move 30 feet away from refueling site before starting engine.
10. Never attempt to burn off spilled fuel under any circumstances.
11. To reduce the risk of fire and burn injury, handle fuel with care. It is highly flammable.
12. If fuel is spilled, do not attempt to start the engine but move the machine away from the area of spillage and avoid creating any source of ignition until fuel vapors have dissipated.
13. Replace all fuel tank and container caps securely.
14. Empty fuel tank into a container approved for gasoline and restrain the unit from moving before transporting in a vehicle.
15. When draining the fuel tank, use an approved fuel storage container in a well-ventilated area.
16. Select bare ground, stop engine, and allow to cool before refueling.
17. Save these instructions. Refer to

them frequently and use them to instruct others who may use this tool. If you loan someone this tool, loan them these instructions also.

WHILE OPERATING

WARNING!

Wear safety glasses or goggles. Wear ear/ hearing protection when operating this unit. Wear a face mask or dust mask if the operation is dusty.

1. Wear heavy long pants, boots, gloves and a long sleeve shirt. Do not wear loose clothing, jewelry, short pants, sandals or go barefoot. Secure hair above shoulder level.
2. Use the unit only in daylight or good artificial light.
3. Avoid accidental starting. Be in the starting position whenever pulling the starter rope. The operator and unit must be in a stable position while starting. Refer to STARTING AND STOPPING INSTRUCTIONS.
4. Use the right tool. Only use this tool for its intended purpose.
5. Always hold the unit with both hands when operating. Keep

- a firm grip on both handles or grips.
6. Do not overreach. Always keep proper footing and balance. Take extra care when working on stairs, steep slopes or inclines. To avoid serious injury, do not operate the unit while on a ladder or a roof.
 7. Keep hands, face, and feet away from all moving parts. Do not touch or try to stop moving parts.
 8. Do not touch the engine or muffler. These parts get extremely hot from operation, even after the unit is turned off.
 9. Do not operate the unit faster than the speed needed do the job. Do not run the unit at high speed when not in use.
 10. Do not force the unit. It will do a better, safer job when used at the intended rate.
 11. Always stop the unit when operation is delayed or when walking from one location to another.
 12. Before setting the unit down, always make sure the engine is off and all moving parts have stopped.
 13. If you strike or become entangled with a foreign object, stop the unit immediately and check for damage. Do not operate the unit before repairing damage. Do not operate the unit with loose or damaged parts.
 14. Turn the engine off and disconnect the spark plug for maintenance or repair.
 15. Use only original equipment manufacturer (OEM) replacement parts and accessories for this unit. Use of any other parts or accessories could lead to serious injury to the user, or damage to the unit, and void the warranty.
 16. Keep the unit clean. Carefully remove vegetation and other debris that could block moving parts.
 17. To reduce fire hazard, replace a faulty muffler. Keep the engine and muffler free from grass, leaves, excessive grease or carbon build up.
 18. If the unit starts to vibrate abnormally, stop the unit immediately. Inspect the unit for the cause of the vibration. Vibration is generally an indicator of trouble.

SPECIFIC RULES FOR THE BLOWER

FOLLOW THESE RULES WHILE OPERATING THE BLOWER

WARNING!

READ AND UNDERSTAND ALL INSTRUCTIONS. Failure to follow all instructions listed below may result in electric shock, fire, and/or serious personal injury.

1. Do not insert anything into the air openings, blower tube or nozzle. Do not operate the unit if any of the air openings or tubes are blocked. Keep the air openings free from dust, lint, hair and anything else that may reduce airflow.
2. Do not operate the unit without the blower pipe securely attached.
3. Do not use the unit to spray liquids, especially flammable or combustible liquids, such as gasoline. Do not use the unit in areas where such liquids are present.
4. Do not use the unit for spreading chemicals, fertilizer or any other substance that may contain toxic materials.
5. Do not set the unit down on any surface while the unit is running. Debris can be picked up by the air intake and thrown out the discharge opening, resulting in damage to the unit or property or causing serious injury to bystanders or the operator.
6. During operation, never point the unit in the direction of people, animals, windows or automobiles. Always direct blowing debris away from people, animals, windows or automobiles.
7. Use extra caution when blowing debris near solid objects, such as trees, walls, fences, etc. When possible, blow away from such objects, not toward them.
8. Take care when working near valuable plants. The force of the blown air could damage tender plants.
9. Never attempt to clear a clogged air intake opening while the unit is running.
10. Keep hair, fingers and all other body parts away from moving parts and openings.

SAVE THESE INSTRUCTIONS

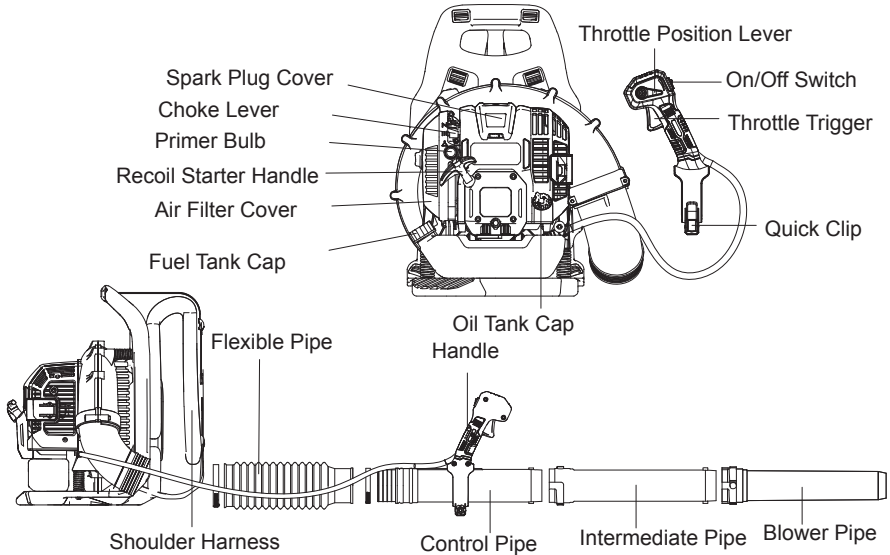
KNOW YOUR UNIT

APPLICATIONS

Model: BLB4QL-M

As a blower :

Blowing leaves, garden waste such as grass, twigs and pine needles.



SPECIFICATIONS*

Model	A073002 BLB4QL-M
Rated Power	1.6 kw
Rated Speed	7000 r/min
Idle Speed	3200±200 r/min
Displacement	49CC
Average Wind Speed	190 mph
Max Wind Speed	200 mph
Average Wind Volume	440 cfm
Max Wind Volume	600 cfm
Fuel Tank Capacity	42 oz.(1250 ml)
Oil Tank Capacity	5.7 oz.(170 ml)
Weight	19.4 lbs (8.8 kg)
Size	430*510*350 mm

ASSEMBLY

1. Unpack all parts and lay them on a flat, stable surface:
2. Remove all packing materials and shipping devices, if applicable.
3. The scope of delivery varies depending on the country and purchased variant:
Model of BLB4QL-M
 - Power tool x1
 - Instruction manual x1
 - Control pipe x1
 - Intermediate pipe x1
 - Blower pipe x1
 - Clamp x2
 - Wire clamp x1
 - Bottle of engine oil x1
4. If you find that parts are missing or show damage do not use the product but contact your dealer. Using an incomplete or damaged product represents a hazard to people and property.
5. Ensure that you have all the accessories and tools needed for assembly and operation. This also includes suitable personal protective equipment.



WARNING:



Wear protective gloves for this assembly work and always lay the product on a flat and stable surface while assembling.

Follow the assembly instructions step-by-step and use the pictures provided as a visual guide to easily assemble the product!

Never install, remove, or adjust any attachments while power head is running. Failure to stop the engine can cause serious personal injury.

CONNECTING THE BLOWER PIPE ASSEMBLY

1. Mount the control pipe to the flexible pipe. Reinforce the connection by the clamp (Fig.1).
2. Attach the handle to the control pipe. Lock the nut to fix the handle after adjusting to the best operation position. Double secure the handle by the quick clip (Fig.2).
3. Install the flexible pipe on the blower elbow and tighten the clamp. Use the wire clamp to secure the throttle line (Fig.3).
4. Align and rotate 90° for attaching the intermediate pipe to the control pipe. Make sure the intermediate pipe is in place then tighten the screw (Fig.4).
5. Align and rotate the blower pipe 90° clockwise for mounting it on the intermediate pipe then tighten the screw (Fig.5).



NOTE:

There are professional guide rails on intermediate pipe and blower pipe. Properly alignment will contribute to the totally insertion. Slightly lubricate the guide rails with detergent if it is difficult to fit. The disassembly steps are just the opposite, loosen the screw, rotate counterclockwise and pull the pipe out.

FUEL AND OIL

USING THE RIGHT OIL

Use a high-quality SAE 10W-30 weight oil. DO NOT use dirty oil. Failure to use clean oil of the correct type can cause premature engine wear and failure.

ADDING OIL: INITIAL USE



WARNING:

OVERFILLING THE CRANKCASE MAY CAUSE SERIOUS PERSONAL INJURY. Check the oil level before each use. The importance of maintaining the proper oil level cannot be overemphasized. Change the oil according to the Maintenance Schedule.



NOTE:

This unit was shipped without oil in the crankcase. Oil must be added before starting the unit. This unit comes with a bottle of oil.

1. Set the unit on a flat, level surface.
2. Unscrew the oil tank cap (Fig.6).
3. Pour the supplied oil into the oil tank. Only add 170ml (5.7 fluid oz.) oil. Do not overfill. Refer to CHECKING THE OIL LEVEL.



NOTE:

Never add oil to the fuel tank. This unit has a four-cycle engine. DO NOT mix oil with gasoline.

4. Wipe up any oil that may have spilled.
5. Reinstall the oil tank cap. Make sure the O-ring is in place on the oil fill plug.

USING THE RIGHT FUEL

The use of old fuel is the most common cause of performance problems. Use only fresh, clean unleaded gasoline.



NOTE:

This unit has a four-cycle engine. DO NOT mix oil with gasoline.

1) Definition of Blended Fuels

Today's fuels are often a blend of gasoline and oxygenates such as ethanol, methanol or MTBE (ether). Alcohol-blended fuel absorbs water. As little as 1% water in the fuel can make fuel and oil separate, forming acids when stored. ALWAYS use fresh fuel (less than 30 days old).



NOTE:

Dispose of old fuel according to federal, state and local regulations.

2) Using Blended Fuels

If using a blended fuel:

- Always use fresh unleaded gasoline
- Use the fuel additive STA-BIL® or an equivalent



WARNING:

Do not use E85 or E15 in this unit. It has been proven that fuel containing greater than 10% ethanol will likely damage this engine and void the warranty.

3) Using Fuel Additives

Use a fuel additive, such as STA-BIL Fuel Stabilizer or an equivalent, to inhibit corrosion and minimize gum deposits. Add 23 ml (0.8 oz.) of fuel additive per gallon of fuel, according to the instructions on the container. NEVER add fuel additives directly to the unit's fuel tank.

FUELING THE UNIT



WARNING:

Gasoline is extremely flammable. Ignited vapors may explode. Always stop the engine and allow it to cool before filling the fuel tank. Do not smoke while filling the tank. Keep sparks and open flames at a distance from the area.



WARNING:

Remove the fuel tank cap slowly to avoid injury from fuel spray. Never operate the unit without the fuel tank cap securely in place.



WARNING:

Add fuel in a clean, well ventilated outdoor area. Wipe up any spilled fuel immediately. Avoid creating a source of ignition for spilled fuel. Do not start the engine until fuel vapors dissipate.

1. Position the unit with the fuel tank cap facing up.
2. Slowly remove the fuel tank cap (Fig.7).
3. Place the fuel container spout into the fuel tank filling hole and fill the tank. Do not overfilling.
4. Wipe up any fuel that may have spilled.
5. Reinstall the fuel tank cap.
6. Move the unit at least 9.1m(30 ft.) from the fuel container and the fueling site before starting the engine.

OPERATION



WARNING:

Inspect unit before each start. Replace damaged parts. Check for fuel leaks. Make sure all fasteners are in place and secure. Replace all parts that are cracked, chipped, or damaged in any way.

ADJUSTING THE HARNESS



WARNING:

The harness must always be worn when working with the machine. Failure to do so means you will be unable to maneuver safely and this can result in injury to yourself or others.

Always use the shoulder harness to carry the weight of blower. A correct adjusted shoulder harness significantly facilitates the work. Wear the harness and adjust the tabs of sliding adjuster until the best working position is achieved. Ensure the pressure is evenly distributed across shoulder (Fig.8).

STARTING INSTRUCTIONS

1. Check the oil level before start. Add oil if need.
2. Fill the fuel tank. Refer to "FUELING THE UNIT".
3. Slowly press and release the primer bulb 10 times.
4. Turn on the on/off switch on the handle.
5. Move the choke lever up for closing the choke.
6. Crouch in the starting position. When pulling the recoil starter rope, the operator and the unit must be in a stable position.
7. Pull the recoil starter rope with a controlled and steady motion 5 times until you can hear the deflagration of engine.
8. Move the choke lever down to open the choke.
9. When the product starts, squeeze the throttle trigger to increase engine speed. The more pressure you apply, the faster it will run.



NOTE:

Use the throttle position lever which is intended for freeing your finger from throttle trigger to maintain a certain blower speed.

STOPPING INSTRUCTIONS

1. Release the throttle trigger and allow the engine to idle. If the throttle position lever is used, turn it back and wait the engine to slow down.
2. Press and hold the On/Off switch in the Off position until the engine comes to a complete stop.

BLOWER INSTRUCTIONS



WARNING:

To prevent serious personal injury or damage to the unit, do not hold the unit at your side. The engine may be extremely hot. Do not block the air intake.

- To reduce the risk of hearing loss associated with sound level(s), hearing protection is required.
- To reduce the risk of injury associated with contacting rotating parts, stop the engine before installing or removing attachments. Do not operate without guard(s) in place.
- To reduce the risk of injury associated with thrown objects, always wear eye protection. Eye protection should meet the requirements of ANSI Z87.1.
- To reduce the risk of injury associated with the inhalation of dust, use a face filter mask in dusty conditions.
- Operate power equipment only at reasonable hours not early in the morning or late at night when people

might be disturbed. Comply with times listed in local ordinances. Usual recommendations are 9:00 a.m. to 5:00 p.m., Monday through Saturday.

- To reduce noise levels, limit the number of pieces of equipment used at any one time.
- To reduce noise levels, operate power blowers at the lowest possible throttle speed to do the job.
- Use rakes and brooms to loosen debris before blowing.
- In dusty conditions, slightly dampen surfaces when water is available.
- Conserve water by using power blowers instead of hoses for many lawn and garden applications, including areas such as gutters, screens, patios, grills, porches, and gardens.
- Watch out for children, pets, open windows, or freshly washed cars. Blow debris away safely.
- Use the full blower pipe extension so the air stream can work close to the ground.
- Keep feet apart and firmly planted.
- Hold the unit in front of, and away from, your body.
- Stand in the operating position. Stand up straight. Do not bend over.



NOTE:

After using blowers and other equipment, CLEAN UP! Dispose of debris in trash receptacles.

MAINTENANCE



WARNING:

To avoid serious personal injury, always stop the engine and allow it to cool before cleaning or maintaining the unit. Never perform cleaning or maintenance while the unit is running. It is not necessary to remove the blower tube assembly during maintenance.



WARNING:

Wear protective clothing and observe all safety instructions to prevent serious personal injury.



WARNING:

Use only original equipment manufacturer replacement parts and accessories for this unit. The use of any unauthorized parts or accessories could lead to serious injury to the user, or damage to the unit. Only perform cleaning and maintenance work according to these instructions! All further works must be performed by a qualified specialist!

MAINTENANCE SCHEDULE

Perform these required maintenance procedures at the frequency stated in the table. These procedures should also be a part of any seasonal tune-up. Some maintenance procedures may require special tools or skills. If unsure about these procedures, take the unit to a qualified service dealer.



NOTE:

Please read the California/EPA statement that came with the unit for a complete listing of terms and coverage for the emissions control devices, such as the muffler, carburetor, etc.

Frequency	Maintenance Required
Every 10 hours	Clean the air filter. Refer to MAINTAINING THE AIR FILTER.
Before every use	Check oil level. Refer to CHECKING THE OIL LEVEL.
After first 10 hours	Change the oil. Refer to CHANGING THE OIL.
Every 20 hours after above maintenance	
Every year or 100 hours	Check spark plug and gap properly. Refer to MAINTAINING THE SPARK PLUG.
Every 2 years	Replace the spark plug.

CHECKING THE OIL LEVEL



WARNING:

OVERFILLING THE CRANKCASE MAY CAUSE SERIOUS PERSONAL INJURY. Check the oil level before each use. The importance of maintaining the proper oil level cannot be overemphasized.

1. Stop the engine and allow it to cool.
2. Set the unit on a flat, level surface, such as a workbench or table.



NOTE:

Failure to keep the engine level may result in oil overflow.

3. Clean the area around the oil tank cap to prevent debris from entering the oil fill hole.
4. Unscrew the oil tank cap.

5. Look into the oil fill hole, use a flashlight if necessary. Add oil to the oil fill hole until the oil level is visible on the first thread of the oil reservoir (Fig.10).

CHANGING THE OIL

Change the oil while the engine is still warm. The oil will flow freely and carry away more impurities.

1. Unscrew the nut in oil drain hole (Fig.11).
2. Tip the unit vertically to pour the oil out of the oil drain hole and into a container. Allow ample time for complete drainage.
3. Clean the area around the oil drain hole and reinstall the nut for closing the oil drain hole.
4. Clean up the area around the oil fill hole to prevent the debris from entering oil tank.
5. Unscrew the oil tank cap.
6. Pour 170 ml(5.7 fl.oz.) oil into the oil fill hole. DO NOT overfill. Refer to CHECKING THE OIL LEVEL.
7. Wipe up any oil that may have spilled.



NOTE:

Dispose of the old oil according to federal, state and local regulations.

MAINTAINING THE AIR FILTER

1. Pull up the choke lever to close the choke. This prevents dirt from entering the carburetor throat when the air filter is removed. Clean up accumulated dirt from air filter area (Fig.12).
2. Unscrew the air filter cover knob and remove the air filter cover. Clean up dirt from inside cover.
3. Remove the air filter.
4. Inspect the air filter and check if it can be reused.
5. Replace the filter if it is damaged, fuel soaked, very dirty, or the rubber sealing edges are deformed.
6. If the air filter can be reused, clean up debris or dirt from it. Reinstall air filter and the air filter cover.



NOTE:

Be certain that it fits tightly in the air filter cavity and it is installed with the original side out.

MAINTAINING THE SPARK PLUG

If the engine will not idle properly:

1. Stop the engine and allow it to cool.
2. Open the spark plug cover and remove the spark plug cap. Then take out the spark plug (Fig.13).



WARNING:

Do not sand blast, scrape or clean spark plug electrodes. Grit in the engine could damage the cylinder.

- Inspect the spark plug. If the spark plug is cracked, fouled or dirty, replace it with an identical one.
- If it can be kept using, set the air gap at 0.6mm-0.8mm(0.025 - 0.031 in.) (Fig.14).
- Reinstall the spark plug in the cylinder head. Tighten the spark plug properly, Do not over tighten.
- Reattach the spark plug cap and close the spark plug cover.

CLEANING

To avoid serious personal injury, always stop the engine and allow it to cool before cleaning or maintaining the unit. Use a small brush or a soft cloth to clean the outside of the unit. Wipe any remaining moisture from the product. Do not use strong detergents. Household cleaners that contain aromatic oils such as pine and lemon, and solvents such as kerosene, can damage plastic.

STORAGE

- Allow the engine to cool before storing.
- Inspect the unit for any loose or damaged parts. Repair or replace damaged parts and tighten loose screws, nuts or bolts. Replace only with identical parts for anything damaged, broken, or worn.
- Drain up fuel before long-term storage: Remove the fuel tank cap, tip the unit and drain the fuel into an approved container. Reinstall the fuel tank cap. Start the engine and allow it to run until it stalls. This ensures that all fuel has been drained from the carburetor. Allow the engine to cool.
- Thoroughly clean the unit especially the air filter.
- Store the unit in a dry, well-ventilated place away from smoke, open flames, or sparks. Store the unit out of reach of children and lock up it to prevent unauthorized use or damage.
- Drain up oil after long-term storage. Change the oil before use.



NOTE:

At the beginning of the next season, use only fresh fuel. Do not use fuel that has been stored for more than 30 days. Dispose of old fuel and oil according to federal, state and local regulations.

TROUBLESHOOTING

Suspected malfunctions are often due to causes that the users can fix themselves. Therefore, check the product using this section. In most cases the problem can be solved quickly.

PROBLEM	POSSIBLE CAUSE	SOLUTION
The engine will not start	The fuel tank is empty	Fill the fuel tank with fresh fuel
	The primer bulb was not pressed enough	Press the primer bulb 10 times
	The fuel is old (over 30 days)	Drain the fuel tank and add fresh fuel
	The spark plug is fouled	Replace the spark plug
The engine will not idle	The air filter is dirty	Clean or replace the air filter
	The fuel is old (over 30 days)	Drain the fuel tank and add fresh fuel
The engine will not accelerate	The fuel is old (over 30 days)	Drain the fuel tank and add fresh fuel
	The air filter is dirty	Clean or replace the air filter
The engine lacks power or stalls	The fuel is old (over 30 days)	Drain the fuel tank and add fresh fuel
	The air filter is dirty	Clean or replace the air filter
	The spark plug is fouled	Replace the spark plug

WARRANTY

LIMITED THREE-YEAR WARRANTY

3-year limited warranty on all Senix 4QL series gasoline powered equipment. FOR THREE YEARS from the original date of retail purchase this Senix product is warranted against defects in materials or workmanship on power tools. Defective product will receive free repair.*

This warranty does not cover normal wear of parts and components such as cutting chain, line or blades nor does this warranty cover product transportation cost for warranty or service.

Warranty is subject to the following conditions:

- Warranty applies to the original purchaser at retail and is not transferrable*
- Warranty Registration at www.senixtools.com
- The tool has not been misused, abused, neglected, altered, modified or repaired by anyone other than an authorized service center
- Only genuine Senix accessories have been used with or on this product
- The tool has been subjected to normal wear and tear
- The tool has not been used for trade or professional purposes
- The tool has not been used for rental purposes
- This warranty only covers defects arising under normal usage and does not cover any malfunction, failure or defect resulting from misuse, abuse (including overloading the product, exposure to water or rain) accidents, neglect or lack of proper installation and improper maintenance or storage.

Direct your warranty or service questions to service@senixtools.com or call toll free at 1-800-261-3981

Additional Limitations

Any implied warranty granted under state law, including warranties of merchantability or fitness for a particular purpose, are limited to three years from the date of purchase on power tools and chargers and seven years on batteries. The manufacturer is not responsible for direct, indirect, incidental or consequential damages. Some states and provinces do not allow limitations on how long an implied warranty lasts and/or do not allow the exclusion or limitation of incidental damages, so the above limitations and exclusions may not apply to you. This warranty gives you specific legal rights, and you may also have other rights which vary from state to state or province to province.

The YAT USA declines any responsibility in regard to civil liability arising from abusive use or not in conformity with proper use and maintenance of the machine as described in the operator's manual.

YAT USA is not responsible for direct, indirect, incidental or consequential damages.

After the purchase, the manufacturer recommends proper maintenance of the machine and to read the operator's manual before using the machine.

*Original purchase receipt may be required for proof of purchase

For customer service contact us toll free at 1-800-261-3981 or Senixtools.com.

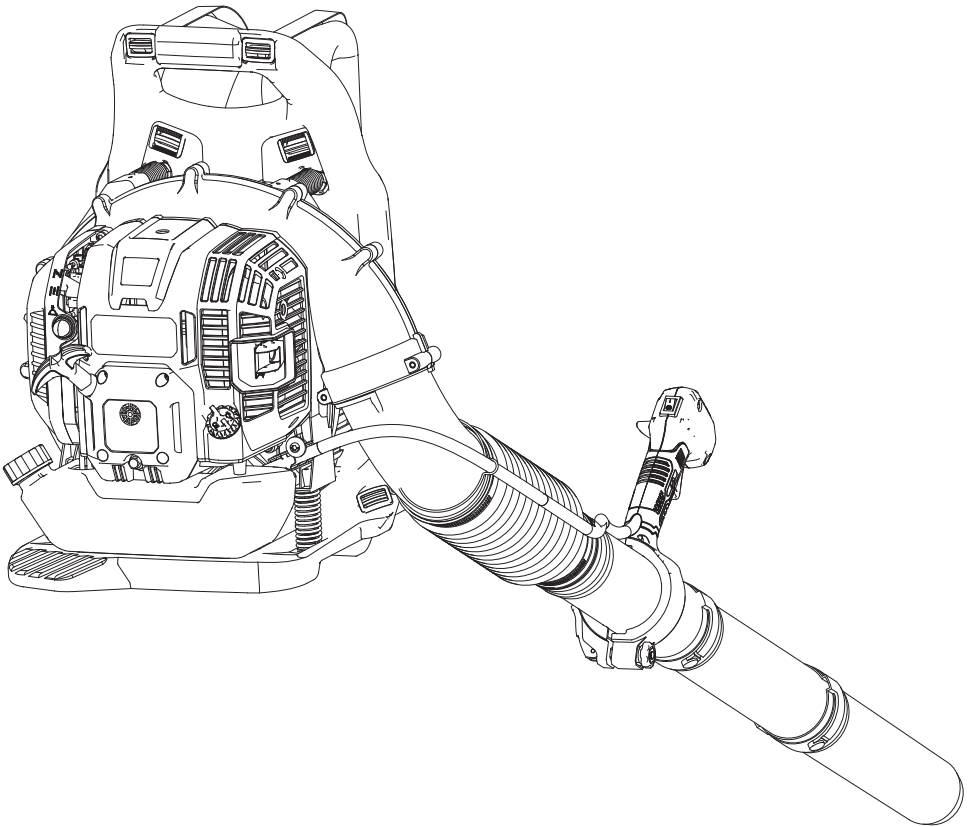
YAT USA, Inc. 6441 Hendry Road, Suite A, Charlotte, NC 28269



MOTOR DE 49 CC DE 4 CICLOS SOPLADOR DE GASOLINA

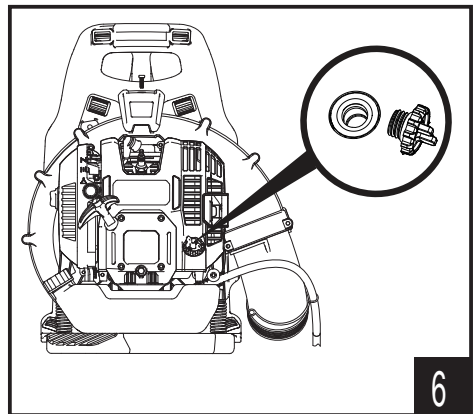
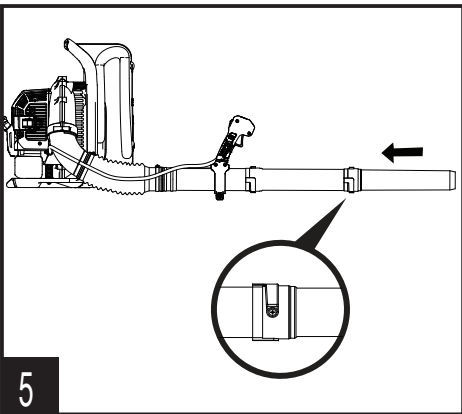
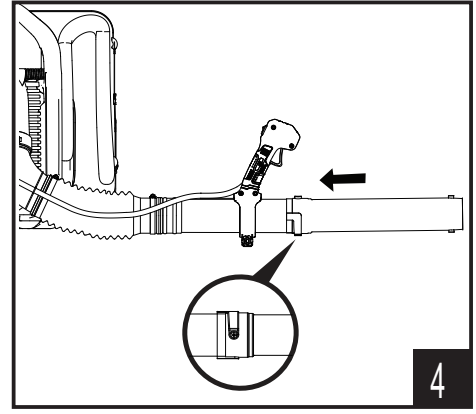
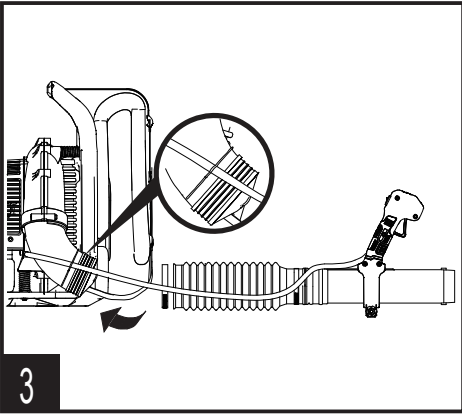
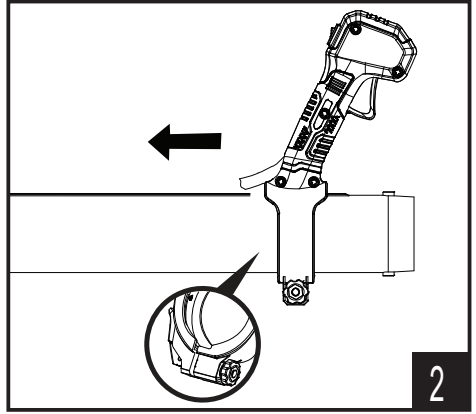
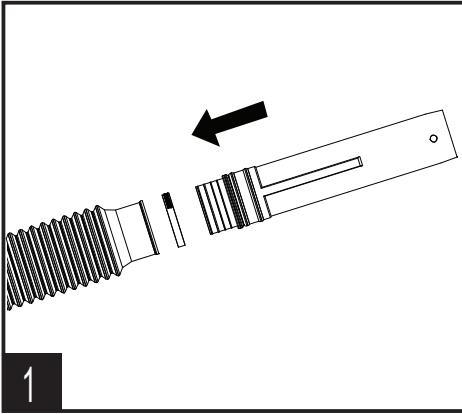
Manual del operador

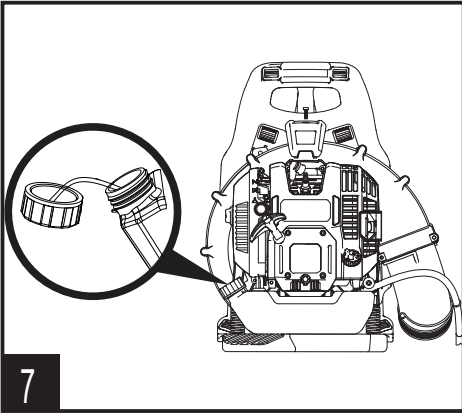
Modelo: BLB4QL-M



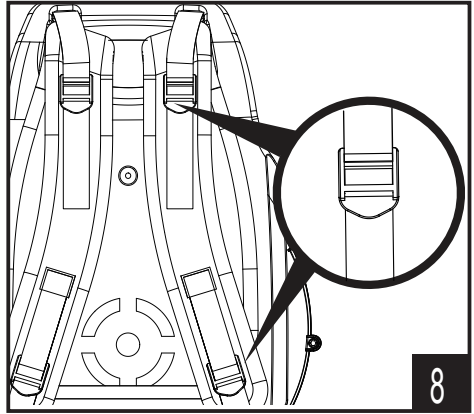
Para el servicio de atención al cliente, llame al 1-800-261-3981 o envíe un email a:
Service@senixtools.com
GUARDE ESTE MANUAL PARA FUTURAS CONSULTAS.

INSTRUCCIONES ORIGINALES

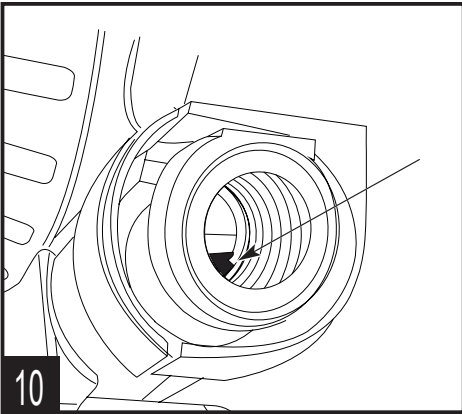




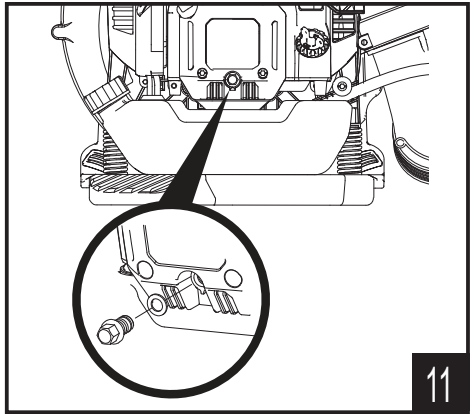
7



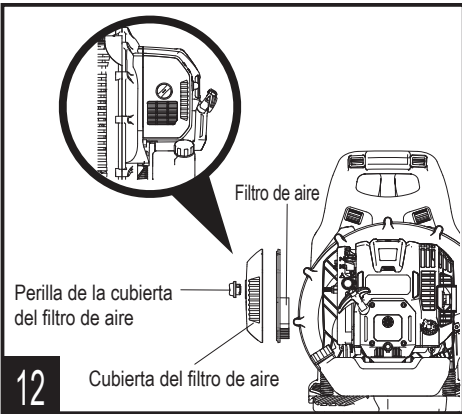
8



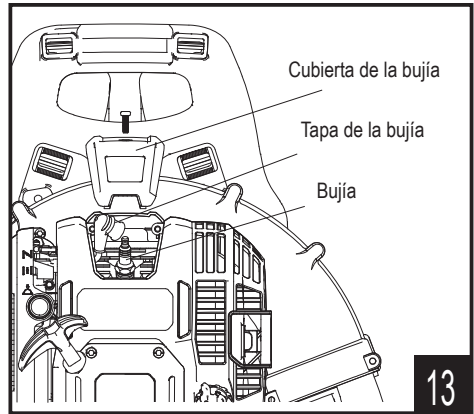
10



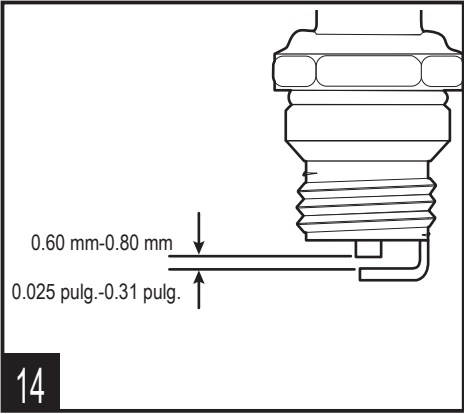
11



12



13



ÍNDICE

SEGURIDAD Y SÍMBOLOS INTERNACIONALES	22
INSTRUCCIONES DE SEGURIDAD	23
CONOZCA SU UNIDAD	29
ESPECIFICACIONES*	29
ENSAMBLAJE	30
COMBUSTIBLE Y ACEITE	30
ADVERTENCIA	32
MANTENIMIENTO	33
SOLUCIÓN DE PROBLEMAS	35
GARANTÍA	36

SEGURIDAD Y SÍMBOLOS INTERNACIONALES

Este manual del operador describe la seguridad y los símbolos y pictogramas internacionales que pueden aparecer en este producto. Lea el manual del operador para obtener información completa sobre seguridad, montaje, operación y mantenimiento y reparación.



Precaución / Advertencia.
ADVERTENCIA: Para reducir el riesgo de lesiones, el usuario debe leer y entender el manual de instrucciones



Riesgo de expulsión de objetos o escombros al aire.
Tenga presente que existe el riesgo de que objetos y/o escombros salgan volando cuando se usa la máquina.
Mantenga a todos los transeúntes al menos a 50 pies (15 m) de distancia.



Use protección auditiva.



Use protección para los ojos.



Use una mascarilla antipolvo.



Use guantes de protección.



Use calzado robusto no resbaladizo.



Utilice siempre combustible sin plomo, nuevo y limpio.



Consulte el manual del operador para conocer el tipo adecuado de aceite.



Se ha demostrado que el combustible que contiene más del 10% de etanol probablemente dañará este motor y anulará la garantía.



Las cuchillas giratorias del propulsor pueden causar lesiones graves.



Si no mantiene la ropa suelta alejada de la admisión de aire, se puede producir una lesión personal.



Si no mantiene el cabello largo alejado de la admisión de aire, se puede producir una lesión personal.



No toque el silenciador o cilindro si están calientes. Podría quemarse. Estas piezas alcanzan altas temperaturas durante la operación. Cuando están apagados, permanecen calientes por un corto tiempo.



Los objetos lanzados pueden rebotar y causar lesiones personales o daños a la propiedad.

INSTRUCCIONES DE SEGURIDAD

La seguridad es una combinación de sentido común, mantenerse alerta y saber cómo funciona su herramienta. CONSERVE ESTAS INSTRUCCIONES DE SEGURIDAD.

¡ADVERTENCIA!

Para reducir el riesgo de lesiones, el usuario debe leer y entender el manual del operador.

¡ADVERTENCIA!

Para evitar errores y lesiones graves, no utilice esta herramienta hasta que haya leído y comprendido los siguientes pasos.

1. Lea atentamente las instrucciones. Familiarícese con los controles y el uso adecuado de la herramienta.
2. No utilice esta herramienta cuando esté cansado, enfermo o bajo la influencia del alcohol, las drogas o los medicamentos.
3. Nunca permita que los niños operen la herramienta. Los adolescentes deben ser entrenados, acompañados y supervisados por un adulto. Nunca permita que los adultos operen la herramienta sin la instrucción adecuada.
4. Todos los protectores y accesorios de seguridad deben instalarse correctamente antes de utilizar la herramienta.
5. Inspeccione la herramienta antes de usarla. Sustituya las piezas dañadas. Compruebe si hay fugas de combustible. Asegúrese de que todas las fijaciones estén en su lugar y seguras. Reemplace las piezas que estén agrietadas, astilladas o dañadas en modo alguno. No utilice la herramienta con piezas sueltas o dañadas.
6. Tenga en cuenta el riesgo de sufrir lesiones en la cabeza, las manos y los pies.
7. Inspeccione cuidadosamente el área antes de arrancar la herramienta. Retire piedras, vidrios rotos, clavos, alambre, cuerdas y otros objetos que puedan salir proyectados o enredarse con la herramienta.
8. Despeje el área de niños, transeúntes y mascotas; manténgalos fuera de un radio de 50 pies (15 m), como mínimo. Incluso entonces, todavía están en peligro de que los alcancen objetos que pueden salir proyectados.

ados. Anime a los transeúntes a usar protección para los ojos. Si se le acerca alguien, detenga inmediatamente la herramienta.

9. Apriete el control del acelerador y compruebe que vuelve automáticamente a la posición de marcha lenta. Realice todos los ajustes o reparaciones antes de utilizar la herramienta.
10. No cambie la configuración del regulador del motor ni haga funcionar el motor a una velocidad excesiva.
11. Esta herramienta está diseñada para uso doméstico ocasional.

ADVERTENCIA DE SEGURIDAD PARA LA HERRAMIENTA DE GASOLINA

Cuando use la unidad, se deben seguir todas las instrucciones de seguridad. Lea estas instrucciones antes de operar la unidad para asegurar la seguridad del operador y de cualquier otra persona presente. Conserve estas instrucciones para su uso posterior.

¡ADVERTENCIA!

La gasolina es altamente inflamable y sus vapores pueden explotar si se encienden. Tome las siguientes precauciones: Almacene el combustible

únicamente en recipientes diseñados y aprobados específicamente para el almacenamiento de dichos materiales.

1. Detenga siempre el motor y deje que se enfríe antes de llenar el depósito de combustible. Nunca retire el tapón del depósito de combustible ni añada combustible cuando el motor esté caliente. Afloje siempre el tapón del depósito de combustible lentamente para aliviar cualquier presión en su interior antes de llenarlo.
2. Agregue siempre combustible en un área limpia y bien ventilada al aire libre donde no haya chispas ni llamas. NO fume.
3. Nunca utilice la herramienta sin el tapón del depósito del combustible bien cerrado.
4. Evite crear una fuente de ignición al derramar combustible. Limpie el combustible derramado de la herramienta inmediatamente, antes de arrancarla. Lleve la herramienta al menos 30 pies (9,1 m) de la fuente de combustible y del lugar del derrame antes de arrancar el motor. NO fume.
5. Nunca arranque ni haga funcio-

nar la herramienta dentro de una habitación o edificio cerrado. Respirar los gases de escape puede matar. Utilice esta herramienta solo en un área exterior bien ventilada.

REPOSTADO DE COMBUSTIBLE

1. El combustible es altamente inflamable. Tome precauciones al usarlo para disminuir la posibilidad de sufrir lesiones personales graves.
2. Almacene el combustible en un área fresca y bien ventilada, lejos de equipos que producen chispas y/o llamas.
3. Almacene el combustible en recipientes diseñados específicamente para este propósito.
4. Reposte solo al aire libre y no fume mientras lo hace.
5. Eche combustible antes de arrancar el motor. Nunca retire el tapón del depósito de combustible ni eche combustible mientras el motor está en marcha o cuando el motor esté caliente.
6. No fume mientras manipula el combustible.
7. Afloje el tapón del tanque de combustible lentamente para liberar la presión y evitar que el combustible escape alrededor del tapón.
8. Cierre bien el tapón del tanque de combustible después de reabastecerse de combustible.
9. Limpie el combustible derramado de la herramienta. Aléjese 30 pies (9,1 m) del sitio de reabastecimiento antes de arrancar el motor.
10. Nunca intente quemar el combustible derramado bajo ninguna circunstancia.
11. Para reducir el riesgo de lesiones por incendio y quemaduras, manipule el combustible con cuidado. Es altamente inflamable.
12. Si se derrama combustible, no intente arrancar el motor, aleje la herramienta del área de derrame y evite crear cualquier fuente de ignición hasta que los vapores del combustible se hayan disipado.
13. Vuelva a cerrar bien los tapones del tanque de combustible y de su recipiente.
14. Vacíe el tanque de combustible en un recipiente aprobado para gasolina y asegure la herramienta para que no se pueda mover antes de transportarla en un vehículo.
15. Para vaciar el tanque de com-

bustible, utilice un recipiente de almacenamiento de combustible aprobado y hágalo en un área bien ventilada.

16. Seleccione un suelo desnudo, detenga el motor y deje que se enfríe antes de reabastecerse de combustible.
17. Guarda estas instrucciones. Consúltelas con frecuencia y utilícelas para instruir a las personas que puedan usar esta herramienta. Si le presta a alguien esta herramienta, préstele también estas instrucciones.

DURANTE EL USO



¡ADVERTENCIA!

Use anteojos o gafas de seguridad. Use protección para oídos/auditiva cuando utilice esta unidad. Use una protección facial o una mascarilla de polvo si la operación es polvorienta.

1. Use pantalones pesados y largos, botas, guantes y una camisa de manga larga. No use ropa suelta, joyas, pantalones cortos o sandalias, ni ande descalzo. Recójase el cabello si lo tiene a la altura de los hombros.
2. Use la unidad solamente de día o con buena iluminación artificial.
3. Evite arranques accidentales. Colóquese en posición de arranque cada vez que tire de la cuerda de arranque. El operador y la herramienta deben estar en una posición estable durante el arranque. Consulte las INSTRUCCIONES DE ARRANQUE Y PARADA.
4. Use la herramienta correcta. Utilice esta herramienta únicamente para su fin.
5. Siempre sostenga la unidad con ambas manos cuando la opere. Mantenga un agarre firme de ambos mangos o empuñaduras.
6. No extienda el cuerpo en exceso. Mantenga los pies bien colocados y el equilibrio en todo momento. Tenga especial cuidado al trabajar en escaleras, pendientes pronunciadas o inclinaciones. Para evitar lesiones graves, no opere la herramienta mientras esté en una escalera o en un tejado.
7. Mantenga las manos, rostro y pies alejados de todas las partes móviles. No toque ni intente detener las partes móviles.
8. No toque el motor ni el silenciador. Estas piezas se calientan mucho de la operación, incluso después de apagar la herra-

- mienta.
9. No utilice la herramienta a una velocidad superior a la necesaria para realizar el trabajo. No haga funcionar la herramienta a alta velocidad cuando no esté en uso.
 10. No fuerce la unidad. Hará un trabajo mejor y más seguro cuando se utilice a la velocidad prevista.
 11. Detenga siempre la unidad cuando la operación se demore o al desplazarse de un lugar a otro.
 12. Antes de dejar reposar la unidad, asegúrese siempre de que el motor esté apagado y de que todas las piezas móviles se hayan detenido.
 13. Si golpea o se atasca con un objeto extraño, detenga la unidad inmediatamente y compruebe que no haya daños. No utilice la herramienta antes de reparar los daños. No utilice la herramienta con piezas sueltas o dañadas.
 14. Apague el motor y desconecte la bujía antes de realizar operaciones de mantenimiento o reparaciones.
 15. Use solamente repuestos y accesorios del fabricante del equipo original para esta unidad. El uso de cualquier otra pieza o accesorio podría causar lesiones graves al usuario, o daños a la herramienta y anular la garantía.
 16. Mantenga limpia la unidad. Retire con cuidado la vegetación y otros residuos que podrían bloquear las partes móviles.
 17. Para reducir el riesgo de incendio, reemplace un silenciador defectuoso. Mantenga el motor y el silenciador libres de hierba, hojas, grasa excesiva o acumulación de carbono.
 18. Si la unidad comienza a vibrar anormalmente, deténgala de inmediato. Inspeccione la herramienta en busca de la causa de la vibración. La vibración es generalmente un indicador de problemas.

REGLAS ESPECIFICAS PARA EL SOPLADOR

SIGUE ESTAS REGLAS MIENTRAS OPERA EL SOPLADOR

¡ADVERTENCIA!

LEA Y COMPRENDA TODAS LAS INSTRUCCIONES. El incumplimiento de todas las instrucciones enumeradas a continuación puede provocar descargas eléctricas,

incendios y/o lesiones personales graves.

1. No inserte nada en las aberturas de aire, el tubo de soplado o la boquilla. No utilice la herramienta si alguna de las aberturas o tubos de aire están bloqueados. Mantenga las aberturas de aire libres de polvo, pelusas, cabello y cualquier otra cosa que pueda reducir el flujo de aire.
2. No accione la unidad sin el tubo de soplado bien fijado.
3. No utilice la unidad para rociar líquidos, especialmente líquidos inflamables o combustibles, como gasolina. No utilice la unidad en zonas donde estén presentes dichos líquidos.
4. No utilice la unidad para la propagación de productos químicos, fertilizantes o cualquier otra sustancia que pueda contener materiales tóxicos.
5. No deposite la unidad sobre ninguna superficie mientras esté en funcionamiento. Los escombros pueden ser recogidos por la toma de aire y arrojados por la abertura de descarga. Esto puede causar daños a la herramienta o a la propiedad, o lesiones graves a los transeúntes

o al operador.

6. Durante el funcionamiento, nunca apunte la unidad en la dirección de personas, animales, ventanas o automóviles. Nunca dirija el soplado de residuos hacia las personas, los animales, las ventanas o los automóviles.
7. Tenga especial cuidado al soplar escombros cerca de objetos sólidos, como árboles, paredes, cercas, etc. Siempre que sea posible, no sople en dirección a dichos objetos.
8. Tenga cuidado cuando trabaje cerca de plantas valiosas. La fuerza del aire soplado podría dañar las plantas tiernas.
9. Nunca intente limpiar una abertura de entrada de aire obstruida mientras la unidad esté funcionando.
10. Mantenga el cabello, los dedos y todas las demás partes del cuerpo lejos de las partes móviles y de las aberturas.

CONSERVE ESTAS INSTRUCCIONES

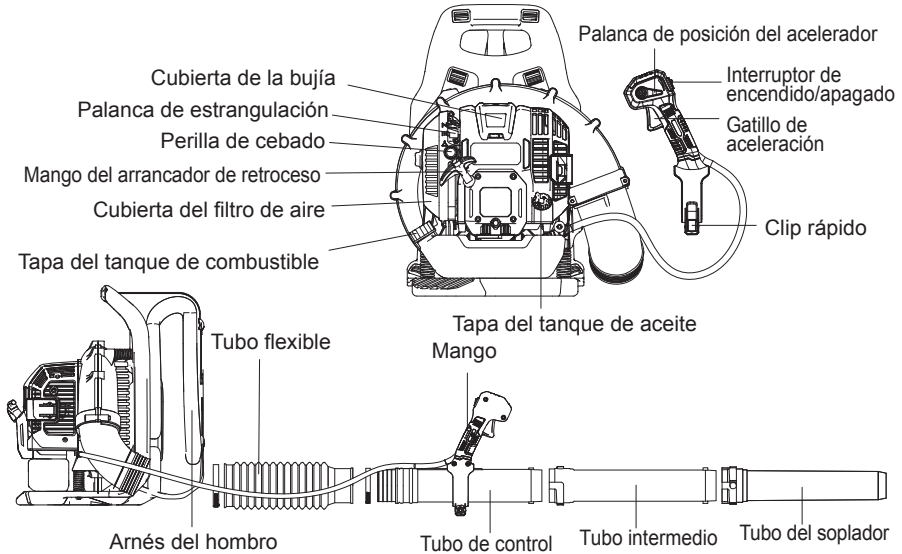
CONOZCA SU UNIDAD

APLICACIONES

Modelo: BLB4QL-M

Como soplador:

Soplar hojas, desechos de jardín como pasto, ramitas y agujas de pino.



ESPECIFICACIONES*

Modelo	A073002 BLB4QL-M
Potencia nominal	1.6 kw
Velocidad nominal	7000 r/min
Velocidad en marcha lenta	3200±200 r/min
Desplazamiento	49CC
Velocidad media del viento	190 mph
Velocidad máxima del viento	200 mph
Volumen de viento promedio	440 cfm
Volumen máximo del viento	600 cfm
Capacidad del tanque de combustible	42 oz.(1250 ml)
Capacidad del tanque de aceite	5.7 oz. (170 ml)
Peso	19.4 lbs (8.8 kg)
Tamaño	430*510*350 mm

ENSAMBLAJE

1. Desempaque todas las piezas y colóquelas en una superficie llana y estable:
2. Retire todos los materiales de embalaje y dispositivos de envío, si corresponde.
3. El alcance de la entrega varía en función del país y la variante adquirida:
Modelo de BLB4QL-M
 - Herramienta eléctrica x1
 - Manual de instrucciones x1
 - Tubo de control x1
 - Tubo intermedio x1
 - Tubo del soplador x1
 - Abrazadera x2
 - Abrazadera de alambre x1
 - Botella de aceite para motor x1
4. Si ve que faltan partes o se ve dañado, no use el producto y póngase en contacto con el distribuidor. El uso de un producto incompleto o dañado representa un peligro para las personas y la propiedad.
5. Asegúrese de que tiene todos los accesorios y herramientas necesarios para el ensamblaje y la operación. Esto también incluye el uso de equipos de protección personal adecuados.



ADVERTENCIA:



Póngase guantes de protección para este trabajo de ensamblaje y coloque siempre el producto sobre una superficie plana y estable cuando lo esté montando.

Siga las instrucciones de ensamblaje paso a paso y use las imágenes que se indican como guía visual para ensamblar fácilmente el producto.

Nunca instale, quite ni ajuste ningún accesorio mientras el cabezal de potencia esté funcionando. No detener el motor puede causar lesiones personales graves.

CONEXIÓN DEL ENSAMBLAJE DEL TUBO DEL SOPLADOR

1. Monte el tubo de control al tubo flexible. Refuerce la conexión mediante la abrazadera (Fig.1).
2. Conecte el mango al tubo de control. Bloquee la tuerca para fijar el mango después de ajustarse a la mejor posición de operación. Asegure dos veces el mango con el clip rápido (Fig.2).
3. Instale el tubo flexible en el codo del soplador y ajuste la abrazadera. Utilice la abrazadera de alambre para asegurar la línea del acelerador (Fig.3).
4. Alinee y gire 90° para conectar el tubo intermedio al

tubo de control. Asegúrese de que el tubo intermedio esté en su lugar y luego ajuste el tornillo (Fig.4).

5. Alinee y gire el tubo del soplador 90° en el sentido de las agujas del reloj para montarla sobre el tubo intermedio y luego ajuste el tornillo (Fig.5).



NOTA:

Hay rieles de guía profesionales en el tubo intermedio y el tubo del soplador. La alineación adecuada contribuirá a la inserción total. Lubrique ligeramente los rieles de guía con detergente si es difícil de colocar. Los pasos de desmontaje son exactamente al contrario, aflojar el tornillo, girar en sentido contrario a las agujas del reloj y sacar el tubo.

COMBUSTIBLE Y ACEITE

USO DEL ACEITE CORRECTO

Utilice un aceite de alta calidad de peso SAE 10W-30.

NO use aceite sucio. Si no se utiliza aceite limpio del tipo correcto, puede provocar un desgaste prematuro del motor y un fallo.

LLENADO DE ACEITE: USO INICIAL



ADVERTENCIA:

EL LLENADO EXCESIVO DEL CÁRTER PUEDE CAUSAR LESIONES PERSONALES GRAVES. Examine el nivel de aceite antes de cada uso. Mantener el nivel apropiado de aceite es de extrema importancia. Cambie el aceite según el calendario de mantenimiento.



NOTA:

Esta unidad viene de fábrica sin aceite en el cárter. Se debe añadir aceite antes de poner la herramienta en marcha. Esta unidad viene con una botella de aceite.

1. Deposite la herramienta sobre una superficie plana y nivelada.
2. Desenrosque el tapón del tanque de aceite (Fig.6).
3. Vierta el aceite suministrado en el tanque de aceite. Agregue solo 170 ml (5.7 onzas líquidas) de aceite. No rellene en exceso. Consulte COMPROBACIÓN DEL NIVEL DE ACEITE.



NOTA:

Nunca agregue aceite al depósito de combustible. Esta herramienta tiene un motor de cuatro tiempos. NO mezcle aceite con gasolina.

4. Limpie cualquier derrame de aceite.
5. Vuelva a instalar la tapa del tanque de aceite.
Asegúrese de que la junta tórica esté colocada en el tapón de llenado de aceite.

USO DEL COMBUSTIBLE CORRECTO

El uso de combustible viejo es la causa más frecuente de problemas de rendimiento. Use solo gasolina nueva, limpia y sin plomo.



NOTA:

Esta herramienta tiene un motor de cuatro tiempos. NO mezcle aceite con gasolina.

1) Definición de combustibles mezclados

En la actualidad los combustibles son a menudo una mezcla de gasolina y compuestos oxigenados tales como etanol, metanol o MTBE (éter). El combustible mezclado con alcohol absorbe agua. Solo un 1% de agua en el combustible es suficiente para separar el combustible y el aceite, formando ácidos cuando se almacena. Utilice SIEMPRE combustible nuevo (de menos de 30 días).



NOTA:

Deseche el combustible viejo conforme a las regulaciones federales, estatales y locales.

2) Uso de combustibles mezclados

Si se utiliza combustible mezclado:

- Use siempre gasolina nueva sin plomo.
- Use el aditivo de combustible STA-BILL® o un equivalente.



ADVERTENCIA:

No use E85 de E15 en esta unidad. Se ha demostrado que el combustible que contiene más del 10% de etanol probablemente dañará este motor y anulará la garantía.

3) Uso de aditivos de combustible

Utilice un aditivo para combustible, como el estabilizador

de combustible STA-BIL o un equivalente, para inhibir la corrosión y minimizar los depósitos de resina. Añada (23 ml) de aditivo para combustible por galón de combustible, de acuerdo con las instrucciones del recipiente. NUNCA agregue aditivos de combustible directamente al tanque de combustible de la unidad.

REPOSTADO DE COMBUSTIBLE



ADVERTENCIA:

La gasolina es extremadamente inflamable. Los vapores encendidos pueden explotar. Detenga siempre el motor y deje que se enfríe antes de llenar el depósito de combustible. No fume mientras llena el depósito. Mantenga las chispas y las llamas expuestas alejadas del área.



ADVERTENCIA:

Retire la tapa del depósito de combustible lentamente para evitar lesiones causadas por el rociado de combustible. Nunca opere la unidad sin el tapón del depósito del combustible bien cerrado.



ADVERTENCIA:

Añada el combustible en un área exterior limpia y bien ventilada. Limpie el combustible derramado de inmediato. Evite crear una fuente de ignición al derramar combustible. No arranque el motor hasta que los vapores de combustible se disipen.

1. Posicione la unidad con la tapa del tanque de combustible dirigida hacia arriba.
2. Retire lentamente la tapa del tanque de combustible (Fig.7).
3. Coloque la boquilla del recipiente de combustible en el orificio de llenado del tanque de combustible y llene el tanque. No rellene en exceso.
4. Limpie cualquier derrame de combustible.
5. Vuelva a instalar la tapa del tanque de combustible.
6. Aleje la unidad al menos 9.10 m (30 pies) del recipiente del combustible y del área de llenado de combustible antes de arrancar el motor.

ADVERTENCIA



ADVERTENCIA:

Inspeccione la unidad antes de cada puesta en marcha. Sustituya las piezas dañadas. Compruebe si hay fugas de combustible. Asegúrese de que todas las fijaciones estén en su lugar y seguras. Reemplace todas las piezas que estén agrietadas, astilladas o dañadas en modo alguno.

AJUSTE DEL ARNÉS



ADVERTENCIA:

El arnés debe usarse siempre cuando se trabaja con la máquina. Si no lo hace, no podrá maniobrar con seguridad y esto puede resultar en lesiones para usted o para otros.

Utilice siempre el arnés del hombro para llevar el peso del soplador. Un arnés de hombros correctamente ajustado facilita notablemente el trabajo. Póngase el arnés y ajuste las lengüetas del ajustador deslizante hasta lograr la mejor posición de trabajo. Asegúrese que la presión se distribuya uniformemente a lo largo del hombro (Fig. 8).

INSTRUCCIONES DE ARRANQUE

1. Examine el nivel de aceite antes de empezar. Agregue aceite si es necesario.
2. Llene el depósito de combustible. Consulte el apartado de REPOSTADO DE COMBUSTIBLE.
3. Presione y suelte lentamente la perilla de cebado 10 veces.
4. Encienda el interruptor de encendido/apagado en el mango.
5. Mueva la palanca de estrangulamiento hacia arriba para cerrar el estrangulador.
6. Agáchese en posición de arranque. Al tirar de la cuerda del arrancador de retroceso, el operador y la unidad deben estar en una posición estable.
7. Tire de la cuerda de arranque con un movimiento controlado y constante 5 veces hasta que pueda escuchar la puesta en marcha del motor.
8. Mueva la palanca del estrangulador hacia abajo para abrir el estrangulador.
9. Cuando el producto arranque, ajuste el gatillo de aceleración para aumentar la velocidad del motor. Cuanta más presión aplique, más rápido funcionará.



NOTA:

Use la palanca de posición del acelerador que está diseñada para liberar su dedo del gatillo del acelerador para mantener una cierta velocidad del soplador.

INSTRUCCIONES DE PARADA

1. Suelte la palanca de aceleración y deje que el motor funcione en marcha lenta. Si se usa la palanca de posición del acelerador, gírela hacia atrás y espere a que el motor disminuya la velocidad.
2. Mantenga pulsado el interruptor de encendido/apagado en la posición de apagado, hasta que el motor se detenga por completo.

INSTRUCCIONES DEL SOPLADOR



ADVERTENCIA:

Para evitar lesiones personales graves o daños a la unidad, no sostenga la unidad a su lado. El motor puede estar extremadamente caliente. No bloquee la entrada de aire.

- Para reducir el riesgo de pérdida auditiva asociado con los niveles de sonido, se requiere protección auditiva.
- Para reducir el riesgo de lesiones asociadas con el contacto con piezas giratorias, detenga el motor antes de instalar o retirar los accesorios. No opere sin los protectores instalados en su lugar.
- Para reducir el riesgo de lesión asociada con objetos que salen despedidos, siempre use protección ocular. La protección ocular debe satisfacer los requisitos de la norma ANSI Z87.1.
- Para reducir el riesgo de lesión asociada con la inhalación de polvo, use una máscara con filtro si trabaja en condiciones donde se libera polvo.
- Use el equipo eléctrico solo en horas razonables, no temprano en la mañana ni tarde en la noche, ya que podría molestar a las personas. Cumplir con los horarios indicados en las ordenanzas locales. Las recomendaciones habituales son de 9:00 de la mañana a 5:00 de la tarde, de lunes a sábado.
- Para reducir los niveles de ruido, limite el número de piezas de equipo utilizadas a la vez.
- Para reducir los niveles de ruido, utilice el soplador a la velocidad de aceleración más baja posible para realizar el trabajo.
- Use rastrillos y escobas para soltar los escombros antes de soplarlos.
- En lugares con polvo, humedezca ligeramente las su-

- perficies cuando haya agua disponible.
- Ahorre agua utilizando sopladoras eléctricas en lugar de mangueras para muchas aplicaciones de césped y jardín, incluyendo áreas como canalones, rejillas, terrazas, parrillas, porches y jardines.
- Tenga cuidado con los niños, las mascotas, las ventanas abiertas o los autos recién lavados. Sople los escombros de forma segura.
- Utilice la extensión completa de la boquilla del soplador para que la corriente de aire pueda trabajar cerca del suelo.
- Mantenga los pies separados y firmes sobre el suelo.
- Sostenga la herramienta delante de usted pero alejada del cuerpo.
- Párese en la posición de operación. Permanezca parado y erguido. No se incline.



NOTA:

Después de usar sopladores y otros equipos, ¡LIMPIE EL ÁREA! Deseche los escombros en recipientes de basura.

MANTENIMIENTO



ADVERTENCIA:

Para evitar lesiones graves, siempre detenga el motor y espere a que se enfríe antes de limpiar o dar mantenimiento a la unidad. Nunca limpie o dé mantenimiento con la unidad en marcha. No es necesario quitar el ensamblaje del tubo del soplador durante el mantenimiento.



ADVERTENCIA:

Use ropa de protección y siga todas las instrucciones de seguridad para prevenir lesiones personales graves.



ADVERTENCIA:

Utilice únicamente piezas de repuesto y accesorios originales del fabricante del equipo (OEM) para esta herramienta. El uso de cualquier otra pieza o accesorio no autorizados podría causar lesiones graves al usuario, o daños a la unidad. Realice los trabajos de limpieza y mantenimiento conforme a estas instrucciones únicamente. Cualquier otro trabajo debe ser realizado por un especialista cualificado.

CALENDARIO DE MANTENIMIENTO

Realice estos procedimientos de mantenimiento requeridos según la

frecuencia indicada en la tabla. Estos procedimientos deben

también ser parte de cualquier puesta a punto estacional.

Algunos procedimientos de mantenimiento pueden requerir herramientas o habilidades especiales. Si no está seguro

sobre estos procedimientos, lleve la unidad a un proveedor de servicio calificado.



NOTA:

Lea la declaración de California/EPA que se suministró con la unidad para ver una lista completa de términos y la cobertura para dispositivos de control de emisiones tales como el silenciador, el carburador, etc.

Frecuencia	Requiere mantenimiento
Cada 10 horas	Limpie el filtro de aire. Consulte la sección MANTENIMIENTO DEL FILTRO DE AIRE.
Antes de cada uso	Compruebe el nivel de aceite. Consulte COMPROBACIÓN DEL NIVEL DE ACEITE.
Después de las primeras 10 horas	Cambie el aceite. Consulte la sección CAMBIO DEL ACEITE.
Cada 20 horas después del mantenimiento anterior	
Cada año o 100 horas	Revise la bujía y el espacio correctamente. Consulte la sección MANTENIMIENTO DE LA BUJÍA.
Cada 2 años	Sustituya la bujía.

COMPROBACIÓN DEL NIVEL DE ACEITE



ADVERTENCIA:

EL LLENADO EXCESIVO DEL CÁRTER PUEDE CAUSAR LESIONES PERSONALES GRAVES. Examine el nivel de aceite antes de cada uso. Mantener el nivel apropiado de aceite es de extrema importancia.

1. Detenga el motor y espere a que se enfríe.
2. Coloque la unidad sobre una superficie plana y nivelada, como un banco de trabajo o una mesa.



NOTA:

Si no se mantiene el nivel del motor, se puede producir un sobrellenado de aceite.

3. Limpie el área alrededor del tapón del tanque de aceite para evitar que entren escombros por el orificio de llenado de aceite.
4. Desenrosque la tapa del tanque de aceite.
5. Mire por el orificio de llenado de aceite, use una linterna si es necesario. Agregue aceite al orificio de llenado de aceite hasta que el nivel de aceite sea visible en la primera rosca del depósito (Fig. 10).

CAMBIO DEL ACEITE.

Cambie el aceite con el motor caliente. El aceite fluirá más libremente y se llevará más impurezas.

1. Desenrosque la tuerca en el orificio de drenaje de aceite (Fig. 11).
2. Incline la unidad verticalmente para verter el aceite por el orificio de llenado hacia un recipiente. Espere el tiempo necesario para un drenaje completo.
3. Limpie el área alrededor del orificio de drenaje de aceite y vuelva a instalar la tuerca para cerrar el orificio de drenaje de aceite.
4. Limpie el área alrededor del orificio de llenado de aceite para evitar que entren residuos en el tanque de aceite.
5. Desenrosque la tapa del tanque de aceite.
6. Vierta 170 ml (5.7 oz. liq.) de aceite en el orificio de llenado de aceite. NO llene en exceso. Consulte COMPROBACIÓN DEL NIVEL DE ACEITE.
7. Limpie cualquier derrame de aceite.



NOTA:

Deseché el aceite viejo conforme a las regulaciones federales, estatales y locales.

MANTENIMIENTO DEL FILTRO DE AIRE

1. Tire hacia arriba de la palanca del estrangulador para cerrar el estrangulador. Esto evita que entre suciedad en la garganta del carburador cuando se quita el filtro de aire. Limpie la suciedad acumulada en el área del filtro de aire (Fig. 12).
2. Desenrosque la perilla de la tapa del filtro de aire y retire la cubierta del filtro de aire. Limpie la suciedad del interior de la cubierta.
3. Retire el filtro de aire.
4. Inspeccione el filtro de aire y verifique si se puede

reutilizar.

5. Reemplace el filtro si está dañado, empapado de combustible, muy sucio o si los bordes de sellado de goma están deformados.
6. Si el filtro de aire se puede reutilizar, limpie los desechos o la suciedad. Vuelva a instalar el filtro de aire y la cubierta del filtro de aire.



NOTA:

Asegúrese de que encaje bien en la cavidad del filtro de aire y que esté instalado con el lado original hacia afuera.

MANTENIMIENTO DE LA BUJÍA

El motor no funciona correctamente en marcha lenta:

1. Detenga el motor y espere a que se enfríe.
2. Abra la cubierta de la bujía y retire la tapa de la bujía. Luego saque la bujía (Fig. 13).



ADVERTENCIA:

No lave con chorro de arena, raspe o limpie los electrodos de la bujía. La suciedad en el motor puede dañar el cilindro.

4. Inspeccione la bujía. Si la bujía está agrietada, contaminada o sucia, sustitúyala por una idéntica.
5. Si se puede seguir usando, establezca el espacio de aire en 0.6 mm-0.8 mm (0.025 - 0.031 pulg.) (Fig. 14).
6. Vuelva a instalar la bujía en el cabezal del cilindro. Ajuste la bujía correctamente, no la ajuste demasiado.
7. Vuelva a colocar la tapa de la bujía y cierre la cubierta de la bujía.

LIMPIEZA

Para evitar lesiones graves, siempre detenga el motor y espere a que se enfríe antes de limpiar o dar mantenimiento a la unidad.

Utilice un cepillo pequeño o un paño suave para limpiar el exterior de la unidad. Limpie cualquier resto de humedad del producto.

No use detergentes fuertes. Los limpiadores domésticos que contienen aceites aromáticos, como pino y limón, y los solventes tales como el queroseno, pueden dañar el plástico.

ALMACENAMIENTO

1. Deje que el motor se enfríe antes de almacenarlo.
2. Inspeccione la unidad en busca de piezas sueltas o dañadas. Repare o cambie cualquier pieza dañada y

apriete los tornillos, tuercas o pernos flojos. Reemplace solo con piezas idénticas por cualquier cosa dañada, rota o desgastada.

3. Drene el combustible antes del almacenamiento a largo plazo: Retire la tapa del tanque de combustible, incline la unidad y drene el combustible vertiéndolo en un recipiente aprobado. Vuelva a instalar la tapa del tanque de combustible. Arranque el motor y deje que funcione hasta que se detenga. Esto asegura que se drene todo el combustible del carburador. Deje que el motor se enfríe antes.
4. Limpie a fondo la unidad, especialmente el filtro de aire.
5. Guarde la unidad en un lugar seco y bien ventilado, lejos de humo, llamas abiertas o chispas. Guarde la unidad fuera del alcance de los niños y asegúrela para evitar el uso no autorizado o daños.
6. Drene el aceite después de un almacenamiento a largo plazo. Cambie el aceite antes de usar.



NOTA:

Al comienzo de la próxima temporada, use solo combustible fresco. No use combustible que haya sido almacenado durante más de 30 días.

Desheche el combustible y aceite viejos conforme a las regulaciones federales, estatales y locales.

SOLUCIÓN DE PROBLEMAS

Las sospechas de mal funcionamiento a menudo se deben a causas que el usuario puede corregir por sí mismo. Por tanto, use esta sección para verificar el producto. En la mayoría de los casos el problema se puede resolver rápidamente.

PROBLEMA	POSIBLE CAUSA	SOLUCIÓN
El motor no enciende	El depósito de combustible está vacío	Llene el depósito de combustible con combustible nuevo
	La perilla de cebado no se ha presionado lo suficiente	Presione la perilla de cebado 10 veces
	El combustible es viejo (tiene más de 30 días)	Vacíe el depósito de combustible y eche combustible nuevo
	La bujía está sucia	Sustituya la bujía

El motor no funciona en marcha lenta.	El filtro de aire está sucio	Limpie o reemplace el filtro de aire
	El combustible es viejo (tiene más de 30 días)	Vacíe el depósito de combustible y eche combustible nuevo
El motor no acelera	El combustible es viejo (tiene más de 30 días)	Vacíe el depósito de combustible y eche combustible nuevo
	El filtro de aire está sucio	Limpie o reemplace el filtro de aire
El motor no tiene potencia o se para.	El combustible es viejo (tiene más de 30 días)	Vacíe el depósito de combustible y eche combustible nuevo
	El filtro de aire está sucio	Limpie o reemplace el filtro de aire
	La bujía está sucia	Sustituya la bujía

GARANTÍA

GARANTÍA LIMITADA DE TRES AÑOS

Garantía limitada de 3 años en toda la serie Senix 4QL de equipos de gasolina. DURANTE TRES AÑOS desde la fecha original de la compra minorista, este producto Senix tiene garantía contra defectos de materiales o de mano de obra en las herramientas eléctricas. El producto defectuoso se reparará gratuitamente.*

La presente garantía no cubre el desgaste normal de las partes y los componentes, como la cadena de corte, la línea o las hojas ni tampoco cubre esta garantía el costo de transporte del producto para garantía o servicio.

La garantía está sujeta a las siguientes condiciones:

- La garantía se aplica al comprador original en comercio minorista y no es transferible*
- Registro de garantía en www.senixtools.com
- La herramienta no se ha sometido a uso incorrecto, abuso, negligencia, alteración o modificación y no ha sido reparada fuera de un centro de servicio autorizado
- Solo se han utilizado accesorios originales de Senix con o en este producto
- La herramienta presenta un desgaste normal
- La herramienta no se ha utilizado con fines comerciales o profesionales
- La herramienta no se ha utilizado con fines de alquiler
- Esta garantía solo cubre defectos que ocurran bajo el uso normal y no cubre casos de mal funcionamiento, fallo o defecto que emanen de un uso incorrecto, abuso (incluyendo sobrecarga del producto, exposición al agua o la lluvia), accidentes, negligencia e instalación, mantenimiento o almacenamiento inadecuados.

Dirija sus preguntas sobre garantía o servicio a service@senixtools.com o llame gratis al 1-800-261-3981

Limitaciones adicionales

Cualquier garantía implícita otorgada en virtud de las leyes estatales, incluidas las garantías de comerciabilidad o idoneidad para un propósito particular, se limita a tres años a partir de la fecha de compra para herramientas eléctricas y cargadores y siete años para baterías. El fabricante no asume ninguna responsabilidad por daños directos, indirectos, incidentales o consecuentes. Algunos estados y provincias no permiten limitaciones en cuanto a la duración de una garantía implícita o no permiten la exclusión o limitación de daños incidentales, por lo que es posible que las limitaciones y exclusiones anteriores no se apliquen a usted. Esta garantía le otorga derechos legales específicos, y usted también puede tener otros derechos que varían de un estado a otro o de una provincia a otra.

YAT USA no asume ninguna responsabilidad con respecto a la responsabilidad civil que emane de un uso abusivo o no conforme al uso y mantenimiento adecuados de la máquina, descritos en el manual del operador.

YAT USA no asume ninguna responsabilidad por daños directos, indirectos, incidentales o consecuentes.

Después de la compra, el fabricante recomienda el mantenimiento adecuado de la máquina y leer el manual del operador antes de utilizar la máquina.

*Se puede exigir un recibo de compra original como justificante de compra

Para acceder al servicio de atención al cliente, póngase en contacto con nosotros llamando al número gratuito 1-800-261-3981 o visitando Senixtools.com.

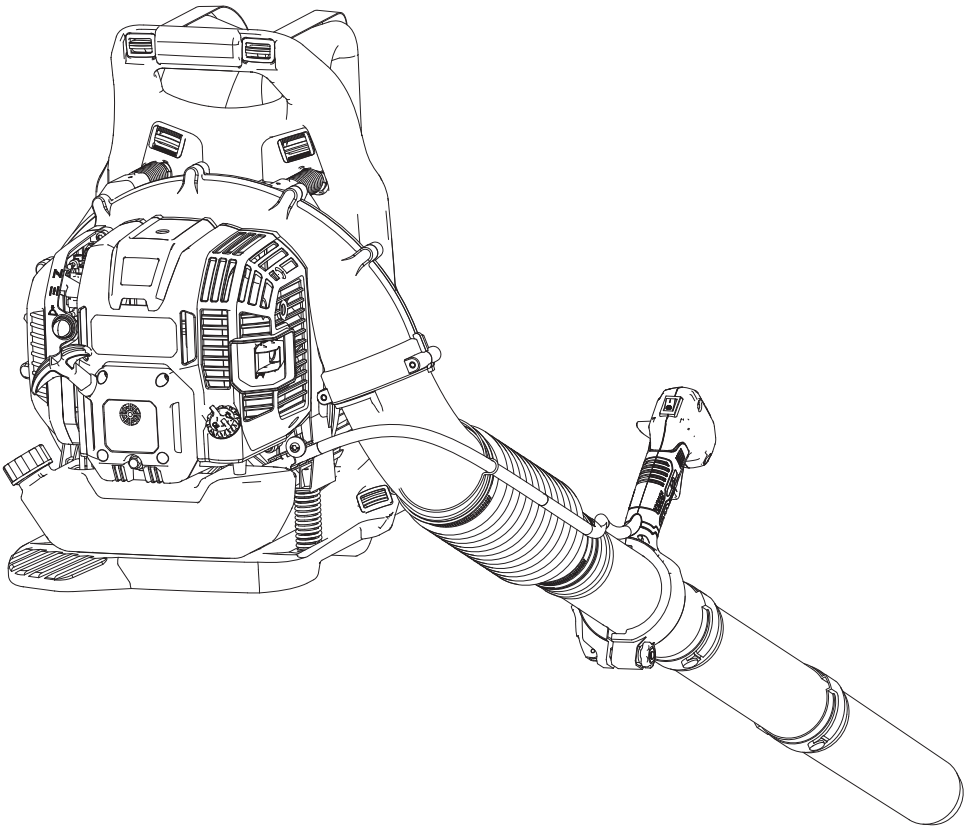
YAT USA, Inc. 6441 Hendry Road, Suite A, Charlotte, NC 28269



MOTEUR À 4 TEMPS 49 CC SOUFFLEUR À ESSENCE

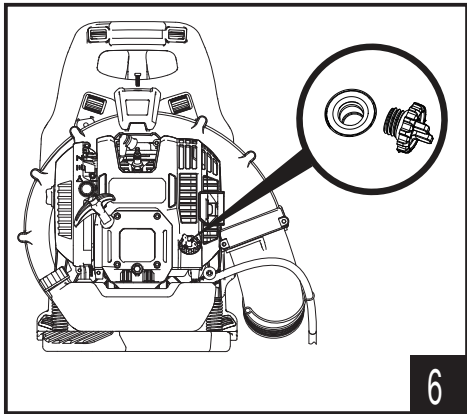
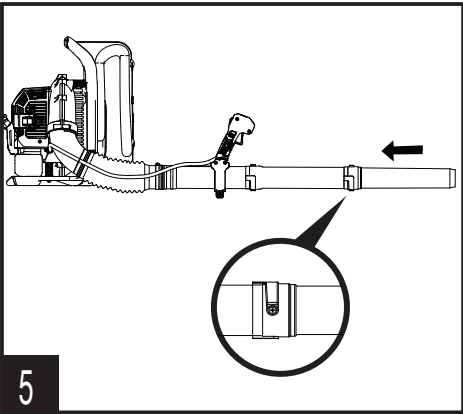
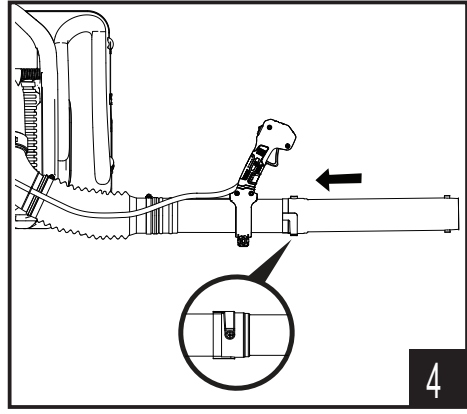
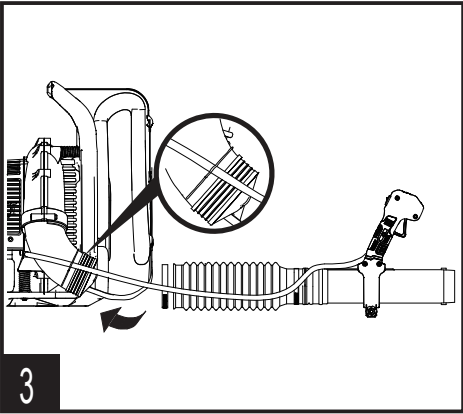
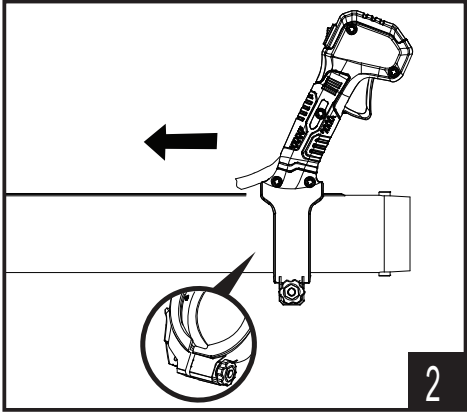
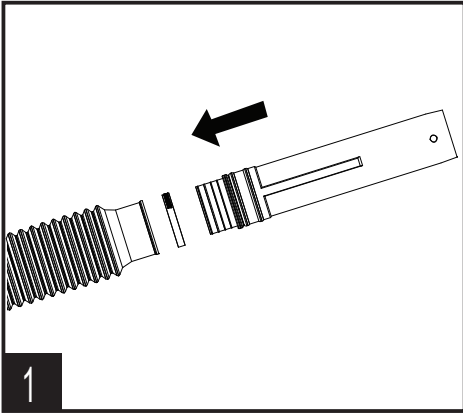
Manuel d'instructions

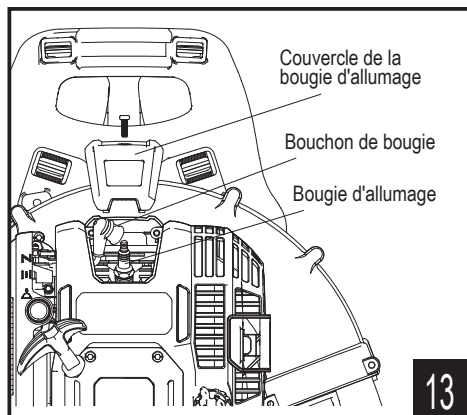
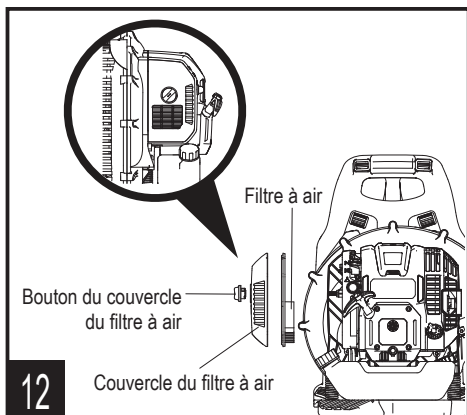
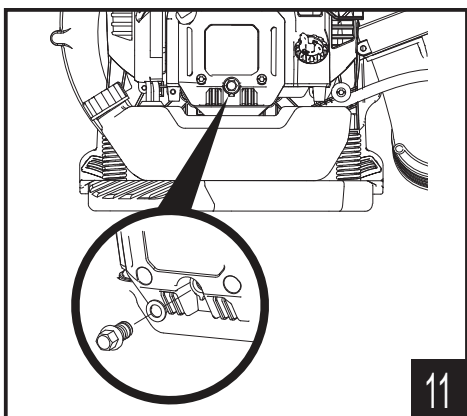
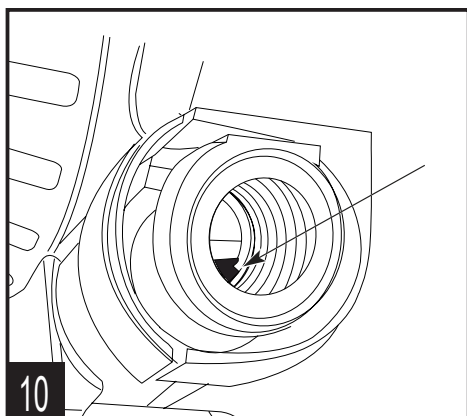
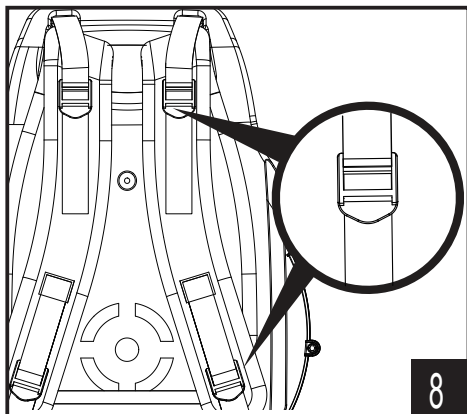
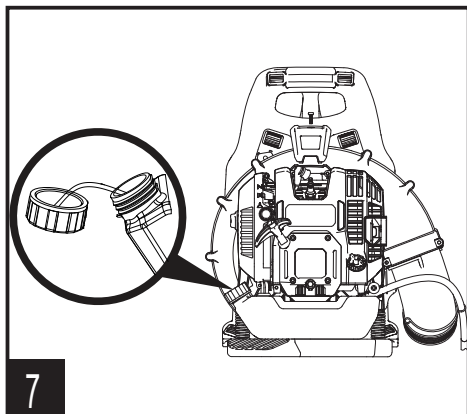
Modèle : BLB4QL-M



Pour obtenir une assistance à la clientèle, veuillez appeler le 1-800-261-3981 ou envoyer un e-mail à :
Service@senixtools.com
CONSERVEZ CE MANUEL POUR TOUTE CONSULTATION ULTÉRIEURE.

INSTRUCTIONS ORIGINALES





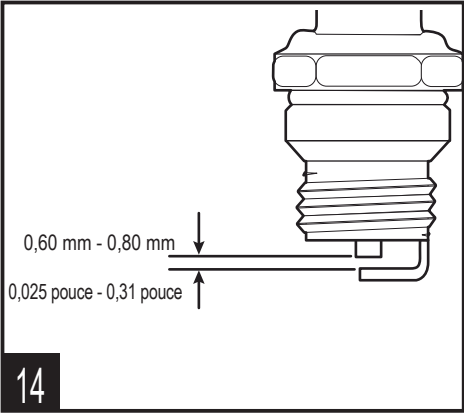


TABLE DES MATIÈRES

SÉCURITÉ ET SYMBOLES INTERNATIONAUX.....	41
INSTRUCTIONS DE SÉCURITÉ	42
DESCRIPTION DE VOTRE APPAREIL.....	49
SPÉCIFICATIONS*	49
ASSEMBLAGE	50
CARBURANT ET HUILE	50
FONCTIONNEMENT.....	52
ENTRETIEN	53
GUIDE DE DÉPANNAGE	55
GARANTIE	56

SÉCURITÉ ET SYMBOLES INTERNATIONAUX

L'explication des symboles de sécurité et internationaux décrit les symboles et pictogrammes de sécurité et internationaux susceptibles d'apparaître sur ce produit. Lisez le manuel de l'utilisateur pour obtenir des informations complètes sur la sécurité, l'assemblage, le fonctionnement, l'entretien et les réparations.



Attention / Avertissement.
AVERTISSEMENT - Pour réduire le risque de blessure, l'utilisateur doit lire le manuel d'instructions.



Risque de projection d'objets ou de débris.
N'oubliez pas qu'il existe un risque de projection d'objets et / ou de débris lors de l'utilisation de la machine.
Maintenez toutes les personnes présentes à une distance d'au moins 50 pieds (15 m).



Portez une protection auditive.



Portez des lunettes de protection.



Portez un masque anti-poussière.



Portez des gants de protection.



Portez des chaussures solides et antidérapantes.



Utilisez toujours du carburant sans plomb propre et frais.



Reportez-vous au manuel d'instructions pour le type d'huile approprié.



Il a été prouvé qu'un carburant contenant plus de 10% d'éthanol peut endommager ce moteur et annuler la garantie.



La rotation des pales de la turbine peut causer des blessures graves.



Le fait de ne pas empêcher les vêtements amples d'être aspirés dans la prise d'air peut entraîner des blessures.



Maintenez les cheveux longs éloignés de l'entrée d'air pour éviter tout risque de blessures corporelles.



Ne touchez pas le silencieux ou le cylindre lorsqu'ils sont chauds. Vous pourriez vous brûler. Ces pièces sont extrêmement chaudes lors du fonctionnement. Lorsqu'elles sont éteintes, elles restent chaudes pendant un court moment.



Les objets projetés peuvent ricocher et provoquer des blessures ou des dommages matériels.

INSTRUCTIONS DE SÉCURITÉ

La sécurité est une combinaison de bon sens, de vigilance et de connaissance du fonctionnement de votre outil. CONSERVEZ CES INSTRUCTIONS DE SÉCURITÉ



AVERTISSEMENT !

Pour réduire les risques de blessure, l'utilisateur doit lire et comprendre le manuel d'instructions.



AVERTISSEMENT !

Pour éviter les erreurs et les blessures graves, n'utilisez pas cet outil avant d'avoir lu et compris les étapes suivantes.

1. Lisez attentivement les instructions. Familiarisez-vous avec les commandes et l'utilisation correcte de l'outil.
2. N'utilisez pas cet appareil quand vous êtes fatigué(e), malade ou sous l'influence d'alcool, de drogues ou de médicaments.
3. Ne permettez jamais aux enfants d'utiliser cet appareil. Les adolescents doivent être formés, accompagnés et supervisés par un adulte. Ne laissez jamais des adultes utiliser l'appareil sans instructions appropriées.
4. Tous les dispositifs de sécurité et les accessoires doivent être correctement installés avant d'utiliser l'appareil.
5. Inspectez l'appareil avant l'utilisation. Remplacez les pièces endommagées. Vérifiez s'il n'y a pas de fuite de carburant. Vérifiez que toutes les attaches sont en place et sécurisées. Remplacez les pièces fissurées, ébréchées ou endommagées de quelque façon que ce soit. N'utilisez pas l'appareil avec des pièces desserrées ou endommagées.
6. Soyez conscient du risque de blessures à la tête, vos mains et vos pieds.
7. Inspectez soigneusement la zone de travail avant de démarrer l'appareil. Enlevez les cailloux, le verre brisé, les clous, les fils métalliques, les ficelles et autres objets qui pourraient être projetés ou qui pourraient se coincer dans l'unité.
8. Dégagez la zone des enfants, des passants et des animaux domestiques; veuillez à ce qu'ils restent au-delà d'un rayon de 50 pieds (15 m) au minimum. Même à cette distance, ils seront toujours susceptibles de recevoir des projections. De-

mandez aux spectateurs de porter des lunettes de protection. Si une personne s'approche, arrêtez l'appareil immédiatement.

9. Appuyez sur le bouton de contrôle de l'accélération et vérifiez qu'il revient automatiquement en position de veille. Effectuez tous les réglages et réparations nécessaires avant d'utiliser l'appareil.
10. Ne modifiez pas les réglages du régulateur du moteur et ne faites pas fonctionner le moteur au-delà de la vitesse maximale.
11. Cet appareil est destiné à un usage occasionnel et domestique uniquement.

CONSIGNES DE SÉCURITÉ CONCERNANT LES APPAREILS FONCTIONNANT À L'ESSENCE

Lors de l'utilisation de l'appareil, toutes les consignes de sécurité doivent être respectées. Veuillez lire attentivement ces instructions avant d'utiliser l'appareil afin de garantir la sécurité de l'opérateur et les autres personnes présentes. Veuillez conserver ces instructions pour une utilisation ultérieure.

AVERTISSEMENT !

Le carburant et les vapeurs de

carburant sont extrêmement inflammables et explosifs. Prenez les précautions suivantes : Stockez le carburant exclusivement dans des bidons spécifiquement conçus et approuvés pour le stockage de telles matières.

1. Arrêtez toujours le moteur et laissez-le refroidir avant de remplir le réservoir. Ne retirez jamais le bouchon du réservoir de carburant et n'ajoutez pas de l'essence lorsque le moteur est chaud. Dévissez toujours le bouchon du réservoir de carburant lentement pour libérer la pression dans le réservoir avant de remplir le réservoir.
2. Ajoutez toujours du carburant dans un espace extérieur propre et bien ventilé, sans étincelles ni flammes. Ne pas fumer. NE fumez PAS.
3. N'utilisez jamais l'appareil sans le bouchon du réservoir en place.
4. Évitez de créer une source d'inflammation pour le carburant renversé. Essayez immédiatement les coulures de carburant de l'appareil, avant de démarrer l'appareil. Déplacez l'appareil à au moins 9,1 m (30 pieds) de la

source et du site de ravitaillement avant de démarrer le moteur. NE fumez PAS.

5. Ne démarrez jamais et ne faites jamais fonctionner le produit dans une pièce ou un bâtiment fermé. Respirer les gaz d'échappement peut tuer. Faites fonctionner cet appareil uniquement dans un espace extérieur bien ventilé.

REEMPLIR LE RÉSERVOIR

1. L'essence est hautement inflammable. Prenez des précautions lors de l'utilisation afin de réduire les risques de blessures corporelles graves.
2. Stockez le carburant dans un endroit frais et bien aéré, éloigné de la bougie en toute sécurité et/ou des équipements produisant des flammes.
3. Stockez le carburant dans des bidons spécifiquement conçus à cet effet.
4. Faites le plein à l'extérieur et ne fumez pas pendant le ravitaillement.
5. Ajoutez du carburant avant de démarrer le moteur. Ne retirez jamais le bouchon du réservoir de carburant et n'ajoutez pas d'essence pendant que le mo-

teur tourne ou est chaud.

6. Ne fumez pas lors du remplissage du réservoir.
7. Desserrez lentement le bouchon du réservoir de carburant pour libérer la pression et empêcher le carburant de s'échapper autour du bouchon.
8. Serrez fermement le bouchon du réservoir après le remplissage du réservoir.
9. Essayez le carburant déversé sur l'appareil. Éloignez-vous d'au moins 30 pieds du site de ravitaillement en carburant avant de démarrer le moteur.
10. Ne tentez jamais de brûler du carburant renversé en aucune circonstance.
11. Pour réduire les risques d'incendie et de brûlures, manipulez le carburant avec précaution. Il est très inflammable.
12. Si du carburant est renversé, n'essayez pas de démarrer le moteur ; éloignez l'appareil de la zone où le carburant a été renversé et veillez à ne créer aucune étincelle ou flamme tant que les vapeurs de carburant ne se sont pas dissipées.
13. Refermez complètement le bouchon du réservoir et des bidons

de carburant.

14. Videz le réservoir de carburant dans un récipient homologué pour l'essence et empêchez l'unité de bouger avant de la transporter dans un véhicule.
15. Lorsque vous vidangez le réservoir de carburant, utilisez un récipient de stockage de carburant approuvé dans un endroit bien ventilé.
16. Sélectionnez un sol nu, arrêtez le moteur et laissez-le refroidir avant de rajouter du carburant.
17. Conservez ces instructions. Consultez-les fréquemment et utilisez-les pour informer les autres utilisateurs potentiels de cet outil. Si vous prêtez cet outil à quelqu'un, prêtez-lui également ces instructions.

PENDANT L'UTILISATION

AVERTISSEMENT !

Portez des lunettes de sécurité ou des lunettes à coques. Portez une protection oculaire / auditive lorsque vous utilisez cet appareil. Portez un masque facial ou un masque anti-poussière si l'opération est poussiéreuse.

1. Portez des pantalons longs,

des bottes, des gants et une chemise à manches longues. Ne portez pas de vêtements amples, de bijoux, de shorts, de sandales et ne travaillez pas pieds nus. Attachez-vous les cheveux au-dessus du niveau des épaules.

2. Utilisez l'appareil uniquement à la lumière du jour ou sous une lumière artificielle suffisante.
3. Évitez les démarrages accidentels. Placez-vous dans la position de départ lorsque vous tirez sur la corde de démarrage. L'opérateur et l'unité doivent être dans une position stable lors du démarrage. Reportez-vous aux INSTRUCTIONS DE DÉMARRAGE ET D'ARRÊT.
4. Utilisez l'outil approprié. N'utilisez cet appareil que pour son usage prévu.
5. Tenez toujours l'outil à deux mains pendant son utilisation. Maintenez fermement les poignées ou les surfaces de préhension.
6. Ne tenez pas d'atteindre des endroits éloignés de votre corps. Restez toujours d'aplomb et gardez constamment un bon équilibre. Faites particulièrement attention lorsque vous travaillez

dans des escaliers, des pentes raides ou des surfaces inclinées. Pour éviter des blessures graves, n'utilisez pas l'appareil sur une échelle ou un toit.

7. Maintenez vos mains, votre visage et vos pieds éloignés de toutes les pièces mobiles. Ne touchez pas et n'essayez pas d'arrêter les pièces mobiles.
8. Ne touchez pas le moteur ou le silencieux. Ces pièces deviennent extrêmement chaudes, même après la mise hors tension de l'appareil.
9. Ne faites pas fonctionner l'appareil plus vite que la vitesse nécessaire pour effectuer le travail. Ne faites pas fonctionner l'appareil à une vitesse élevée lorsque vous ne l'utilisez pas.
10. Ne forcez pas l'appareil. Il fonctionnera mieux et sera plus sûr s'il est utilisé au rythme prévu.
11. Arrêtez toujours l'appareil lorsque son fonctionnement est retardé ou lorsque vous vous déplacez d'un endroit à un autre.
12. Avant de poser l'appareil, vérifiez toujours que le moteur est éteint et toutes les pièces mobiles se sont arrêtées.
13. Si l'appareil heurte ou se coince avec un corps étranger, arrêtez immédiatement l'appareil et vérifiez qu'il n'est pas endommagé. N'utilisez pas l'appareil avant d'avoir réparé les dégâts. N'utilisez pas l'appareil avec des pièces desserrées ou endommagées
14. Arrêtez le moteur et débranchez la bougie d'allumage pour l'entretien ou la réparation.
15. Utilisez uniquement des pièces de rechange et des accessoires du fabricant d'origine (OEM) pour cet appareil. L'utilisation de pièces ou d'accessoires non autorisés pourrait entraîner des blessures graves sur l'utilisateur ou endommager l'appareil et annuler la garantie.
16. Gardez l'appareil propre. Enlevez soigneusement la végétation et les autres débris qui pourraient bloquer les pièces en mouvement.
17. Pour réduire les risques d'incendie, remplacez un silencieux défectueux. Veillez à ce que le moteur et le silencieux restent exemptes d'herbe, de feuilles, d'une quantité excessive de graisse ou une accumulation de carbone.
18. Si l'appareil se met à vibrer anormalement, éteignez immédiate-

ment l'appareil. Inspectez l'unité pour cause de vibrations. Les vibrations sont généralement un indicateur de problèmes.

RÈGLES SPÉCIFIQUES CONCERNANT LE SOUFFLEUR

RESPECTEZ CES RÈGLES DURANT L'UTILISATION DU SOUFFLEUR

AVERTISSEMENT !

LISEZ ET COMPRENEZ TOUTES LES INSTRUCTIONS. Le non-respect des consignes de sécurité et des instructions peut être à l'origine d'électrocutions, d'incendies et/ou de blessures graves.

1. N'insérez aucun objet dans les ouvertures de ventilation, l'embout ou le tube de soufflage. N'utilisez pas l'appareil si l'une des ouvertures de ventilation et les tubes sont obstrués. Veillez à ce que les ouvertures de ventilation restent exemptes de poussière, peluches, cheveux et tout ce qui pourrait réduire le flux d'air.
2. Ne faites pas fonctionner l'appareil sans le tube du souffleur bien fixé.
3. N'utilisez pas l'appareil pour pul-

vériser des liquides, en particulier des liquides inflammables ou combustibles, comme l'essence. N'utilisez pas l'appareil dans des zones où de tels liquides sont présents.

4. N'utilisez pas l'appareil pour épandre des produits chimiques, des engrais ou toute autre substance pouvant contenir des substances toxiques.
5. Ne posez pas l'appareil sur une surface quelconque lorsque l'appareil est en marche. Les débris peuvent être happés par les entrées d'air et rejetés par la bouche d'éjection et provoquer la détérioration de l'appareil ou des dommages matériels et causer des blessures graves pour l'utilisateur ou des passants.
6. Pendant le fonctionnement, ne dirigez jamais l'appareil en direction de personnes, d'animaux, de fenêtres ou d'automobiles. Dirigez toujours les débris soufflés loin des personnes, des animaux, des fenêtres ou des véhicules.
7. Faites très attention lorsque vous soufflez des débris à proximité d'objets solides, tels que des arbres, des murs, des clôtures, etc. Si possible, soufflez

- les débris en les éloignant de ces objets et non pas vers eux.
8. Faites attention lorsque vous travaillez à proximité de plantes de valeur. La force de l'air soufflé pourrait endommager les plantes fragiles.
 9. N'essayez jamais de dégager l'ouverture d'entrée d'air obstruée pendant que l'appareil est en marche.
 10. Gardez les cheveux, les doigts et toutes les autres parties du corps à l'écart des pièces en mouvement et des ouvertures.

CONSERVEZ CES INSTRUCTIONS

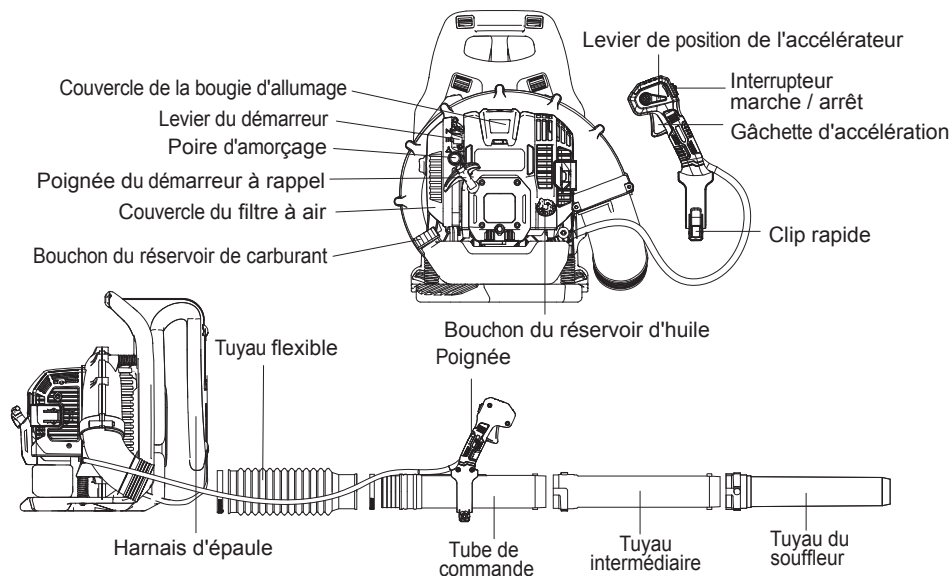
DESCRIPTION DE VOTRE APPAREIL

APPLICATIONS

Modèle : BLB4QL-M

En tant que souffleur :

Pour souffler les feuilles, les déchets de jardin tels que l'herbe, les brindilles et les aiguilles de pin.



SPÉCIFICATIONS*

Modèle	A073002 BLB4QL-M
Puissance nominale	1,6 kW
Vitesse nominale	7000 tr/min
Vitesse au ralenti	3200±200 tr/min
Cylindrée	49 CC
Vitesse moyenne du vent	190 mph
Vitesse maximale du vent	200 mph
Volume de vent moyen	440 cfm
Volume d'air maximal	600 cfm
Capacité du réservoir de carburant	42 oz. (1250 ml)
Capacité du réservoir d'huile	5,7 oz. (170 ml)
Poids	19,4 livres (8,8 kg)
Dimensions	430 x 510 x 350 mm

ASSEMBLAGE

1. Déballez toutes les pièces et posez-les sur une surface plane et stable.
2. Retirez tous les matériaux d'emballage et les dispositifs d'expédition, le cas échéant.
3. L'étendue de la livraison varie en fonction du pays et de la variante achetée :
Modèle de BLB4QL-M
 - Outil électrique x 1
 - Manuel d'instructions x 1
 - Tube de commande x 1
 - Tuyau intermédiaire x 1
 - Tuyau de soufflage x 1
 - Collier de serrage x 2
 - Serre-fil x 1
 - Bouteille d'huile de moteur x 1
4. Si vous constatez que des pièces sont manquantes ou présentent des dommages, n'utilisez pas le produit mais contactez votre revendeur. L'utilisation d'un produit incomplet ou endommagé représente un danger pour les personnes et les biens.
5. Assurez-vous que vous disposez de tous les accessoires et outils nécessaires à l'assemblage et à l'utilisation. Cela comprend également un équipement de protection individuelle approprié.



AVERTISSEMENT :



Portez des gants de protection pour ce travail d'assemblage et posez toujours le produit sur une surface plane et stable lors de l'assemblage.

Suivez les instructions d'assemblage étape par étape et utilisez les photos fournies comme guide visuel pour assembler facilement le produit !

N'installez, ne retirez et ne réglez jamais aucun accessoire lorsque la tête motrice est en marche. Ne pas arrêter le moteur peut causer des blessures graves.

RACCORDEMENT DE L'ASSEMBLAGE DU TUYAU DE SOUFFLAGE

1. Montez le tube de commande sur le tuyau flexible. Renforcez la connexion par le collier de serrage (schéma 1).
2. Fixez la poignée au tube de commande. Verrouillez l'écrou pour fixer la poignée après l'avoir ajustée à la meilleure position de fonctionnement. Sécurisez la poignée à l'aide du clip rapide (schéma 2).
3. Installez le tuyau flexible sur le coude du souffleur et

serrez le collier. Utilisez le serre-câble pour fixer la ligne d'accélérateur (schéma 3).

4. Alignez et tournez de 90° pour fixer le tube intermédiaire au tube de commande. Assurez-vous que le tuyau intermédiaire est en place puis serrez la vis (schéma 4).
5. Alignez et faites pivoter le tuyau du souffleur de 90° dans le sens des aiguilles d'une montre pour le monter sur le tuyau intermédiaire puis serrez la vis (schéma 5).



REMARQUE :

Il y a des rails de guidage professionnels sur le tuyau intermédiaire et le tuyau de soufflage. Un alignement correct contribuera à l'insertion totale. Lubrifiez légèrement les rails de guidage avec du détergent si l'insertion est difficile. Les étapes de démontage sont exactement les mêmes : desserrez la vis, tournez dans le sens inverse des aiguilles d'une montre et retirez le tuyau.

CARBURANT ET HUILE

UTILISATION DE L'HUILE APPROPRIÉE

Utilisez une huile SAE 10W-30 de haute qualité. N'utilisez PAS d'huile sale. Ne pas utiliser de l'huile propre d'un type approprié peut provoquer l'usure prématurée du moteur et une panne.

AJOUTER DE L'HUILE : PREMIÈRE UTILISATION



AVERTISSEMENT :

TROP REMPLIR LE CARTER PEUT CAUSER DES BLESSURES GRAVES. Vérifiez le niveau d'huile avant chaque utilisation. Il est très important de maintenir le bon niveau d'huile. Changez l'huile selon le programme d'entretien.



REMARQUE :

Le souffleur est expédié sans huile dans le carter. L'huile doit être ajoutée avant de commencer à utiliser l'appareil. Cet appareil est livré avec une bouteille d'huile.

1. Placez l'appareil sur une surface plane et nivelée.
2. Dévissez le bouchon du réservoir d'huile (schéma 6).
3. Versez l'huile fournie dans le réservoir d'huile. N'ajoutez que 170 ml (5,7 oz liquides) d'huile. Ne remplissez pas

trop le réservoir. Reportez-vous au paragraphe « VÉRIFICATION DU NIVEAU D'HUILE ».



REMARQUE :

N'ajoutez jamais d'huile dans le réservoir de carburant. Cet appareil est équipé d'un moteur à quatre temps. NE mélangez PAS l'huile avec l'essence.

4. Essuyez l'huile qui a pu se répandre.
5. Réinstallez le bouchon du réservoir d'huile. Assurez-vous que le joint torique est en place sur le bouchon de remplissage d'huile.

UTILISER LE CARBURANT APPROPRIÉ

L'utilisation d'un vieux carburant est la cause la plus fréquente de problèmes de performance. Utilisez uniquement de l'essence sans plomb fraîche et propre.



REMARQUE :

Cet appareil est équipé d'un moteur à quatre temps. NE mélangez PAS l'huile avec l'essence.

1) Définition des carburants mélangés

Les carburants d'aujourd'hui sont souvent un mélange d'essence et de composés oxygénés tels que l'éthanol, le méthanol ou le MTBE (éther). Le carburant mélangé à l'alcool absorbe l'eau. Une quantité aussi faible que 1% d'eau dans le carburant peut séparer le carburant et l'huile, formant des acides une fois l'appareil stocké. Utilisez TOUJOURS du carburant frais (datant de moins de 30 jours).



REMARQUE :

Jetez le vieux carburant conformément aux réglementations fédérales, provinciales et locales.

2) Utilisation de carburants mélangés

Si vous utilisez un carburant mélangé :

- Utilisez toujours de l'essence sans plomb fraîche
- Utilisez l'additif pour carburant STA-BIL® ou un équivalent



AVERTISSEMENT :

N'utilisez pas d'E85 ou d'E15 dans cet appareil. Il a été prouvé qu'un carburant contenant plus de 10% d'éthanol peut endommager ce moteur et annuler la garantie.

3) Utilisation d'additifs pour carburant

Utilisez un additif pour carburant, tel que le stabilisateur de carburant STA-BIL ou un type équivalent, pour empêcher la corrosion et minimiser les dépôts de gomme. Ajoutez 23 ml (0,8 oz) d'additif pour carburant par gallon de carburant, conformément aux instructions figurant sur le récipient. N'ajoutez JAMAIS d'additifs de carburant directement dans le réservoir d'essence de l'appareil.

REPLISSAGE DU RESERVOIR DE CARBURANT



AVERTISSEMENT :

L'essence est extrêmement inflammable. Les vapeurs allumées peuvent exploser. Arrêtez toujours le moteur et laissez-le refroidir avant de remplir le réservoir. Ne fumez pas lors du remplissage du réservoir. Éloignez-vous des étincelles et des flammes nues lors du remplissage du réservoir.



AVERTISSEMENT :

Retirez lentement le bouchon du réservoir d'essence pour éviter les blessures dues à toute pulvérisation du carburant. Ne faites jamais fonctionner l'appareil si le bouchon du réservoir de carburant n'est pas bien en place.



AVERTISSEMENT :

Ajoutez le carburant dans une zone extérieure propre et bien ventilée. Essuyez immédiatement tout déversement de carburant. Évitez de créer une source d'inflammation pour le carburant renversé. Ne démarrez pas le moteur avant que les vapeurs de carburant ne se soient dissipées.

1. Positionnez l'appareil avec le bouchon du réservoir d'essence vers le haut.
2. Retirez lentement le bouchon du réservoir de carburant (schéma 7).
3. Placez le bec du réservoir de carburant dans l'orifice de remplissage du réservoir de carburant et remplissez le réservoir. Ne remplissez pas trop le réservoir.
4. Essuyez l'essence qui aurait pu être renversée.
5. Réinstallez le bouchon du réservoir de carburant.
6. Déplacez l'appareil à au moins 9,1 m (30 pi) du réservoir de carburant et du site de ravitaillement avant de démarrer le moteur.

FUNCTIONNEMENT



AVERTISSEMENT :

Inspectez l'appareil avant chaque démarrage. Remplacez les pièces endommagées. Vérifiez s'il n'y a pas de fuite de carburant. Vérifiez que toutes les attaches sont en place et sécurisées. Remplacez toutes les pièces qui sont fissurées, ébréchées ou endommagées de quelque façon que ce soit.

AJUSTEMENT DU HARNAIS



AVERTISSEMENT :

Le harnais doit toujours être porté lorsque vous travaillez avec l'appareil. Si vous ne le faites pas, vous ne pourrez pas manœuvrer en toute sécurité et vous risquez de vous blesser ou de blesser d'autres personnes.

Utilisez toujours le harnais d'épaule pour porter le poids du souffleur. Un harnais d'épaule correctement ajusté facilite considérablement le travail. Portez le harnais et ajustez les languettes du dispositif de réglage coulissant jusqu'à ce que la meilleure position de travail soit atteinte. Assurez-vous que la pression est uniformément répartie sur l'épaule (schéma 8).

INSTRUCTIONS DE DÉMARRAGE

1. Vérifiez le niveau d'huile avant de démarrer. Ajoutez de l'huile si nécessaire.
2. Remplissez le réservoir de carburant. Reportez-vous au paragraphe « REMPLISSAGE DE L'APPAREIL ».
3. Appuyez et relâchez lentement la poire d'amorçage 10 fois.
4. Allumez l'interrupteur marche/arrêt sur la poignée.
5. Déplacez le levier du starter vers le haut pour fermer le starter.
6. Accroupissez-vous pour vous mettre en position de démarrage. Lorsque vous tirez la corde du démarreur à rappel, l'opérateur et l'appareil doivent être dans une position stable.
7. Tirez la corde du démarreur avec un mouvement contrôlé et régulier 5 fois jusqu'à ce que vous puissiez entendre la déflagration du moteur.
8. Déplacez le levier du starter vers le bas pour ouvrir le starter.

9. Lorsque le produit démarre, appuyez sur la gâchette de l'accélérateur pour augmenter la vitesse du moteur. Plus vous exercez de pression, plus le moteur tournera vite.



REMARQUE :

Utilisez le levier de position de l'accélérateur qui est destiné à libérer votre doigt de la gâchette de l'accélérateur pour maintenir une certaine vitesse du souffleur.

INSTRUCTIONS D'ARRÊT

1. Relâchez la gâchette de l'accélérateur et laissez le moteur tourner au ralenti. Si vous utilisez le levier de position de l'accélérateur, retournez-le et attendez que le moteur ralentisse.
2. Appuyez et maintenez l'interrupteur Marche/Arrêt en position Arrêt jusqu'à ce que le moteur s'arrête complètement.

INSTRUCTIONS D'UTILISATION DU SOUFFLEUR



AVERTISSEMENT :

Pour éviter toute blessure grave ou tout dommage à l'appareil, ne tenez pas l'appareil sur le côté. Le moteur peut devenir extrêmement chaud. Ne bloquez pas l'entrée d'air.

- Pour réduire le risque de perte d'audition associé au(x) niveau(x) sonore(s), une protection auditive est nécessaire.
- Pour réduire le risque de blessure lié au contact avec des pièces rotatives, arrêtez le moteur avant d'installer ou de retirer des accessoires. N'utilisez pas l'appareil sans les dispositifs de protection en place.
- Pour réduire le risque de blessure lié à la projection d'objets, portez toujours une protection oculaire. La protection oculaire doit répondre aux exigences de la norme ANSI Z87.1.
- Pour réduire le risque de blessure lié à l'inhalation de poussière, utilisez un masque à filtre facial dans des conditions poussiéreuses.
- Utilisez votre appareil électrique uniquement à des heures raisonnables pas trop tôt le matin ni trop tard le soir, car cela peut déranger vos voisins. Respectez les horaires indiqués dans les ordonnances locales. Les horaires recommandés habituels vont du lundi au samedi de 9h00 à 17h00.
- Pour réduire le niveau sonore, limitez le nombre d'outils utilisés au même moment.
- Pour réduire le niveau sonore, faites fonctionner le souffleur.

fleur à la vitesse la plus faible possible.

- Utilisez un râteau et un balai pour détacher les débris avant de souffler.
- Dans des conditions poussiéreuses, humidifiez légèrement les surfaces lorsque de l'eau est disponible.
- Économisez l'eau en utilisant le souffleur au lieu d'un tuyau d'arrosage pour de nombreuses applications sur la pelouse et dans le jardin, y compris les gouttières, les écrans, les patios, les grilles, les porches et les jardins.
- Faites attention aux enfants, aux animaux domestiques, aux fenêtres ouvertes ou aux voitures fraîchement lavées. Soufflez les débris en toute sécurité.
- Utilisez toute l'extension du tuyau de soufflage pour que le flux d'air puisse fonctionner près du sol.
- Gardez les pieds écartés et fermes sur le sol.
- Tenez l'appareil devant vous mais éloigné de votre corps.
- Tenez-vous en position de travail. Tenez-vous droit(e). Ne vous penchez pas.



REMARQUE :

Après avoir utilisé le souffleur et d'autres équipements, NETTOYEZ-LES ! Jeter les débris dans les poubelles.

ENTRETIEN



AVERTISSEMENT :

Pour éviter de graves blessures, arrêtez toujours le moteur et laissez-le refroidir avant de nettoyer ou de procéder à un entretien sur l'appareil. N'effectuez jamais de nettoyage ou d'entretien lorsque l'appareil est en marche. Il n'est pas nécessaire de retirer l'assemblage du tube de soufflage pendant l'entretien.



AVERTISSEMENT :

Portez des vêtements de protection et respectez toutes les consignes de sécurité pour éviter des blessures graves.



AVERTISSEMENT :

Utilisez uniquement l'équipement d'origine du fabricant, les accessoires et pièces de rechange pour cet appareil. L'utilisation de pièces ou d'accessoires non autorisés peut entraîner des blessures graves pour l'utilisateur ou endommager l'appareil. N'effectuez les travaux de nettoyage et d'entretien que conformément à ces instructions ! Tous les autres travaux doivent être effectués par un spécialiste qualifié !

CALENDRIER D'ENTRETIEN

Effectuez ces procédures de maintenance requises à la fréquence indiquée dans le tableau. Ces procédures doivent également faire partie de toute mise au point saisonnière. Certaines procédures d'entretien peuvent nécessiter des outils ou des compétences spécifiques. Si vous n'êtes pas sûr(e) de ces procédures, confiez l'appareil à un revendeur qualifié.



REMARQUE :

Veuillez lire la déclaration Californie / EPA fournie avec l'appareil pour une liste complète des termes et de la couverture des dispositifs de contrôle des émissions, tels que le silencieux, le carburateur, etc.

Fréquence	Entretien requis
Toutes les 10 heures	Nettoyez le filtre à air. Reportez-vous au paragraphe « ENTRETIEN DU FILTRE À AIR ».
Avant chaque utilisation	Vérifiez le niveau d'huile. Reportez-vous au paragraphe « VÉRIFICATION DU NIVEAU D'HUILE ».
Après les 10 premières heures	Changez l'huile.
Toutes les 20 heures après l'entretien ci-dessus	Reportez-vous au paragraphe « VIDANGE DE L'HUILE ».
Tous les ans ou toutes les 100 heures	Vérifiez la bougie d'allumage et écartez-la correctement. Reportez-vous au paragraphe « ENTRETIEN DE LA BOUGIE ».
Tous les 2 ans	Remplacez la bougie d'allumage.

VERIFICATION DU NIVEAU D'HUILE



AVERTISSEMENT :

TROP REMPLIR LE CARTER PEUT CAUSER DES BLESSURES GRAVES. Vérifiez le niveau d'huile avant chaque utilisation. Il est très important de maintenir le bon niveau d'huile.

1. Arrêtez le moteur et laissez-le refroidir.
2. Placez l'appareil sur une surface plane et de niveau, comme un établi ou une table.



REMARQUE :

Le fait de ne pas maintenir le moteur à niveau peut entraîner un débordement d'huile.

- Nettoyez la zone autour du bouchon du réservoir d'huile pour empêcher les débris de pénétrer dans l'orifice de remplissage d'huile.
- Dévissez le bouchon du réservoir d'huile.
- Regardez dans l'orifice de remplissage d'huile, utilisez une lampe de poche si nécessaire. Ajoutez de l'huile dans l'orifice de remplissage d'huile jusqu'à ce que le niveau d'huile soit visible sur le premier filet du réservoir d'huile (schéma 10).

CHANGEMENT D'HUILE

Changez l'huile pendant que le moteur est encore chaud. L'huile s'écoulera librement et emportera plus d'impuretés.

- Dévissez l'écrou du trou de vidange d'huile (schéma 11).
- Basculez l'appareil verticalement pour verser l'huile hors de l'orifice de remplissage d'huile et dans un récipient. Laissez suffisamment de temps pour une vidange complète.
- Nettoyez la zone autour de l'orifice de vidange d'huile et réinstallez l'écrou pour fermer de l'orifice de vidange d'huile.
- Nettoyez la zone autour de l'orifice de remplissage d'huile pour empêcher les débris de pénétrer dans le réservoir d'huile.
- Dévissez le bouchon du réservoir d'huile.
- Versez 170 ml (5,7 fl.oz.) d'huile dans l'orifice de remplissage d'huile. NE remplissez PAS trop le réservoir. Reportez-vous au paragraphe « VÉRIFICATION DU NIVEAU D'HUILE ».
- Essuyez l'huile qui a pu se répandre.



REMARQUE :

Jetez le vieux carburant conformément aux réglementations fédérales, provinciales et locales.

ENTRETIEN DU FILTRE À AIR

- Tirez le levier du starter pour fermer le starter. Cela empêche la saleté de pénétrer dans la gorge du carburateur lorsque le filtre à air est retiré. Nettoyez la saleté accumulée dans la zone du filtre à air (schéma 12).
- Dévissez le bouton du couvercle du filtre à air et retirez le couvercle du filtre à air. Nettoyez la saleté de l'intérieur du couvercle.

- Retirez le filtre à air.
- Inspectez le filtre à air et vérifiez s'il peut être réutilisé.
- Remplacez le filtre s'il est endommagé, imbibé de carburant, très sale ou si les bords d'étanchéité en caoutchouc sont déformés.
- Si le filtre à air peut être réutilisé, nettoyez les débris ou les saletés qu'il contient. Réinstallez le filtre à air et le couvercle du filtre à air.



REMARQUE :

Assurez-vous que le filtre à air est bien ajusté dans la cavité du filtre à air et qu'il est installé avec le côté original vers l'extérieur.

ENTRETIEN DE LA BOUGIE D'ALLUMAGE

Si le moteur ne tourne pas correctement au ralenti :

- Arrêtez le moteur et laissez-le refroidir.
- Ouvrez le couvercle de la bougie et retirez le capuchon de la bougie. Retirez ensuite la bougie d'allumage (schéma 13).



AVERTISSEMENT :

Ne sablez pas, ne grattez pas et ne nettoyez pas les électrodes des bougies. Les grains dans le moteur pourraient endommager le cylindre.

- Inspectez la bougie d'allumage. Si la bougie est fissurée, encrassée ou sale, remplacez-la par une bougie identique.
- Si vous pouvez continuer à l'utiliser, réglez l'entrefer à 0,6 mm-0,8 mm (0,025 - 0,031 pouces) (schéma 14).
- Réinstallez la bougie d'allumage dans la culasse. Serrez correctement la bougie d'allumage, ne serrez pas trop fort.
- Remettez en place le capuchon de la bougie et fermez le couvercle de la bougie.

NETTOYAGE

Pour éviter de graves blessures, arrêtez toujours le moteur et laissez-le refroidir avant de nettoyer ou de procéder à un entretien sur l'appareil.

Utilisez une petite brosse ou un chiffon doux pour nettoyer l'extérieur de l'appareil. Essayez toute humidité restante du produit.

N'utilisez pas de détergents puissants. Les nettoyants ménagers contenant des huiles aromatiques comme le pin et le citron et les solvants tels que le kérosène peuvent endommager le plastique.

ENTREPOSAGE

1. Laissez le moteur refroidir avant de ranger l'appareil.
2. Inspectez l'appareil pour vérifier qu'il n'y a pas de pièces desserrées ou endommagées. Réparez ou remplacez les pièces endommagées et resserrez les vis, écrous ou boulons desserrés. Remplacez uniquement par des pièces identiques tout ce qui est endommagé, cassé ou usé.
3. Vidangez le carburant avant un stockage à long terme : Retirez le bouchon du réservoir de carburant, basculez l'appareil et vidangez le carburant dans un récipient homologué. Réinstallez le bouchon du réservoir de carburant. Démarrez le moteur et laissez-le tourner jusqu'à ce qu'il cale. Cela garantit que tout le carburant a été vidé du carburateur. Laissez le moteur refroidir.
4. Nettoyez soigneusement l'appareil, en particulier le filtre à air.
5. Rangez l'appareil dans un endroit sec et bien ventilé, à l'abri de la fumée, des flammes nues et des étincelles. Rangez l'appareil hors de portée des enfants et verrouillez-le pour éviter toute utilisation non autorisée ou tout dommage.
6. Vidangez l'huile après un stockage de longue durée. Changez l'huile avant de l'utiliser.



REMARQUE :

Au début de la saison suivante, n'utilisez que du carburant frais. N'utilisez pas de carburant qui a été stocké pendant plus de 30 jours. Jetez le vieux carburant conformément aux réglementations fédérales, provinciales et locales.

GUIDE DE DÉPANNAGE

Les dysfonctionnements suspectés sont souvent dus à des causes que les utilisateurs peuvent résoudre eux-mêmes. Par conséquent, vérifiez le produit en utilisant ce paragraphe. Dans la plupart des cas, le problème peut être résolu rapidement.

PROBLÈME	CAUSE POSSIBLE	SOLUTION
Le moteur ne démarre pas	Le réservoir de carburant est vide.	Remplissez le réservoir avec du carburant frais.
	La poire d'amorçage n'a pas été pressée suffisamment.	Appuyez 10 fois sur la poire d'amorçage.
	Le carburant est vieux (plus de 30 jours)	Videz le réservoir de carburant et ajoutez du carburant frais.
	La bougie d'allumage est encrassée	Remplacez la bougie d'allumage
Le moteur ne tourne pas au ralenti	Le filtre à air est encrassé.	Lavez ou remplacez le filtre à air.
	Le carburant est vieux (plus de 30 jours)	Videz le réservoir de carburant et ajoutez du carburant frais.
Le moteur n'accélère pas	Le carburant est vieux (plus de 30 jours)	Videz le réservoir de carburant et ajoutez du carburant frais.
	Le filtre à air est encrassé.	Lavez ou remplacez le filtre à air.
Le moteur manque de puissance ou cale	Le carburant est vieux (plus de 30 jours)	Videz le réservoir de carburant et ajoutez du carburant frais.
	Le filtre à air est encrassé.	Lavez ou remplacez le filtre à air.
	La bougie d'allumage est encrassée	Remplacez la bougie d'allumage

GARANTIE

GARANTIE LIMITEE A TROIS ANS

Garantie limitée de 3 ans sur tous les équipements à essence de la série Senix 4QL. Ce produit Senix est garanti DURANT TROIS ANS à compter de la date d'achat d'origine, contre les défauts de matériaux ou de fabrication sur les outils électriques. Le produit défectueux sera réparé gratuitement.*

Cette garantie ne couvre pas l'usure normale des pièces et des composants tels que la chaîne de coupe, le fil ou les lames, et cette garantie ne couvre pas les frais de transport du produit pour la garantie ou l'entretien.

La garantie est sujette aux deux conditions suivantes :

- La garantie s'applique à l'acheteur original au détail et n'est pas transférable*
- Enregistrement de la garantie sur www.senixtools.com
- L'outil n'a pas été utilisé incorrectement, abusé, négligé, altéré, modifié ou réparé par quiconque d'autre qu'un centre d'entretien autorisé.
- Seuls les accessoires Senix authentiques ont été utilisés avec ou sur ce produit.
- L'outil a été soumis à une usure normale.
- L'outil n'a pas été utilisé à des fins commerciales ou professionnelles
- L'outil n'a pas été utilisé à des fins locatives.
- Cette garantie ne couvre que les défauts résultant d'une utilisation normale et ne couvre pas les dysfonctionnements, défaillances ou défauts résultant d'une utilisation incorrecte, d'un abus (surcharge du produit, exposition à l'eau ou à la pluie), d'une négligence ou d'un défaut d'installation, d'entretien ou de stockage.

Dirigez vos questions de garantie ou de service à service@senixtools.com ou appelez sans frais au 1-800-261-3981

Limites supplémentaires

Toute garantie implicite accordée en vertu de la législation en vigueur, y compris les garanties de qualité marchande ou d'adéquation à un usage particulier, est limitée à trois ans à compter de la date d'achat pour les outils électriques et les chargeurs et à sept ans pour les batteries. Le fabricant n'est pas responsable des dommages directs, indirects, accessoires ou consécutifs. Certains états et provinces n'autorisent pas les limitations sur la durée d'une garantie implicite et / ou n'autorisent pas l'exclusion ou la limitation des dommages accessoires, et dans ce cas, les restrictions décrites précédemment ne s'appliquent pas. Cette garantie vous donne des droits légaux spécifiques, et vous pouvez également avoir d'autres droits qui varient d'un état à l'autre ou d'une province à l'autre.

YAT USA décline toute responsabilité en matière de responsabilité civile résultant d'une utilisation abusive ou non conforme à une utilisation et une maintenance correctes de la machine telles que décrites dans le manuel de l'utilisateur.

YAT USA n'est pas responsable des dommages directs, indirects, accessoires ou consécutifs.

Après l'achat, le fabricant recommande un entretien approprié de la machine et de lire le manuel de l'utilisateur avant d'utiliser la machine.

* Un reçu d'achat original peut être exigé comme preuve d'achat.

Pour le service à la clientèle, contactez-nous gratuitement au 1-800-261-3981 ou sur Senixtools.com.

YAT USA, Inc. 6441 Hendry Road, Suite A, Charlotte, NC 28269