

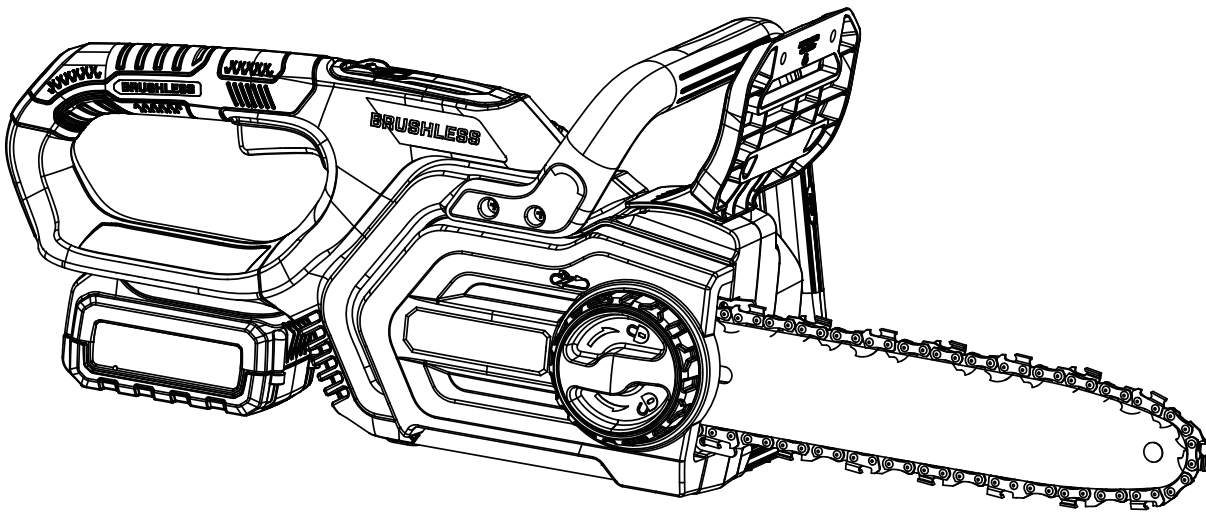


20V MAX LITHIUM ION CORDLESS CHAINSAW

Operator's manual

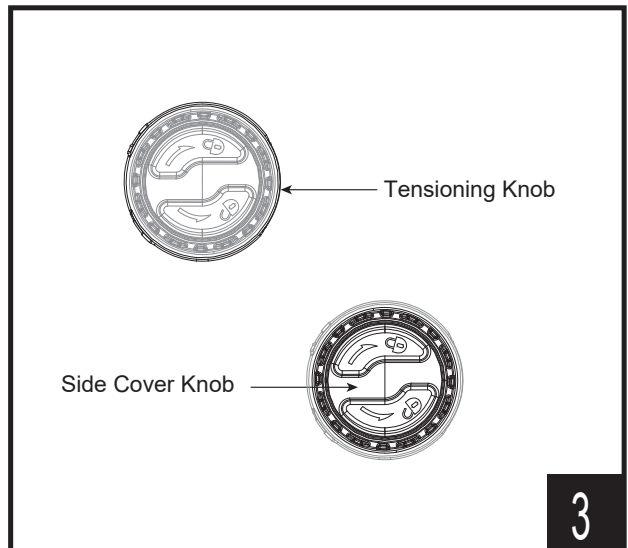
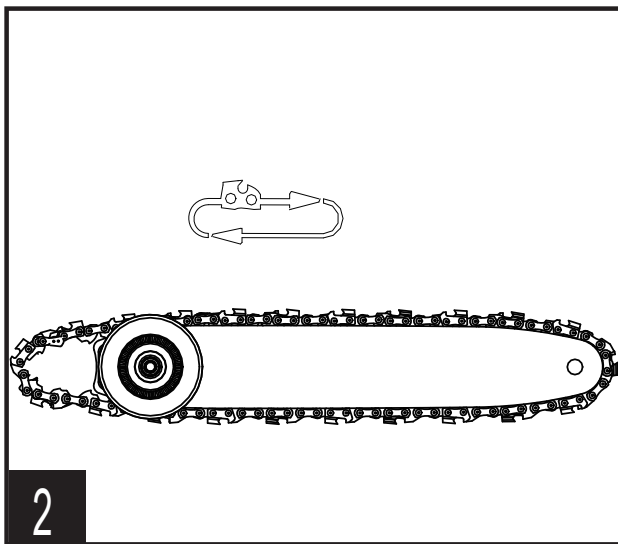
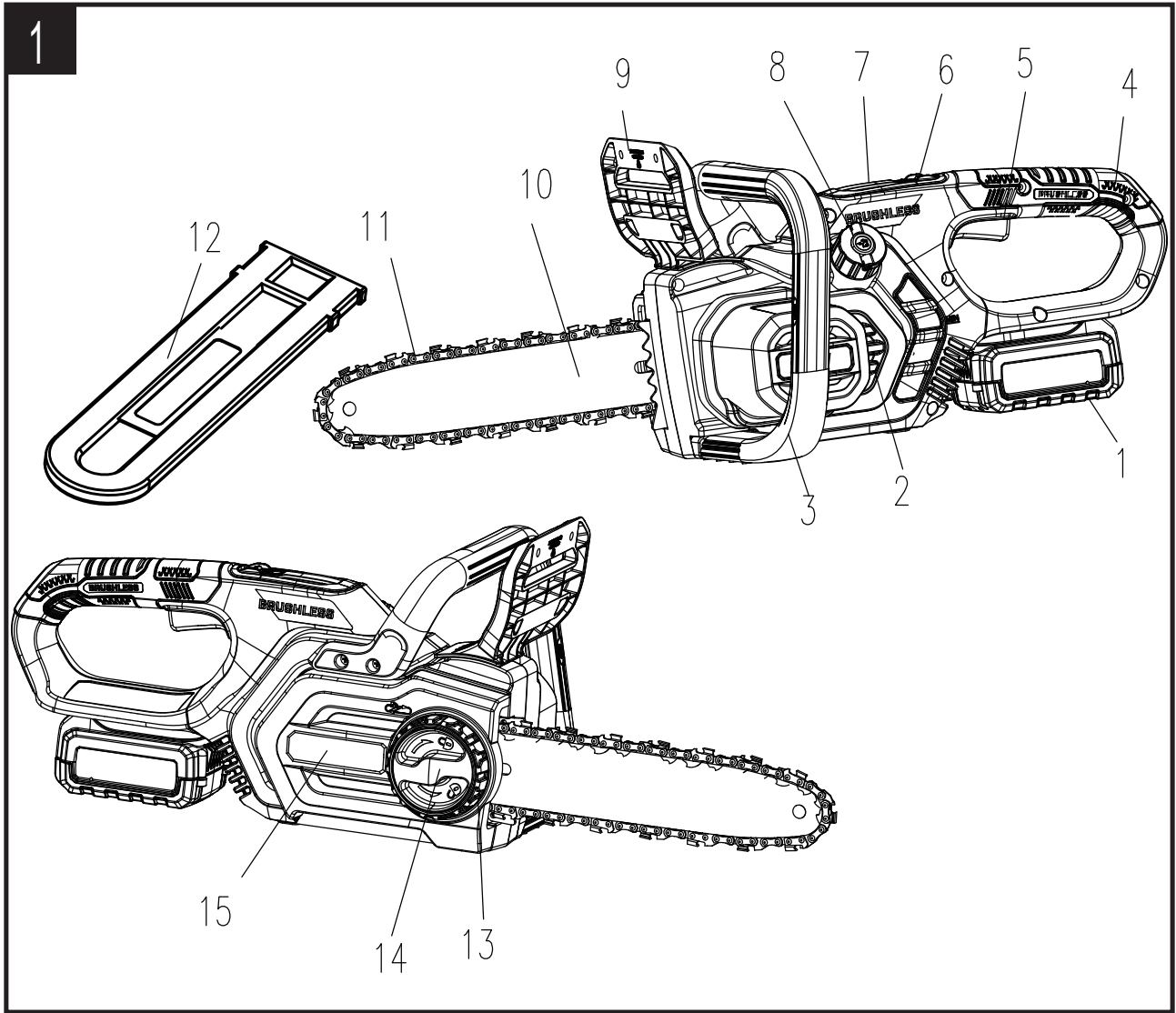
Model: CSX2-M

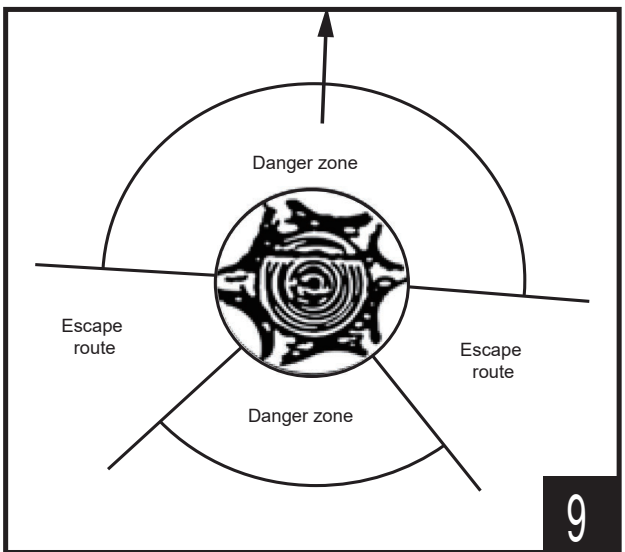
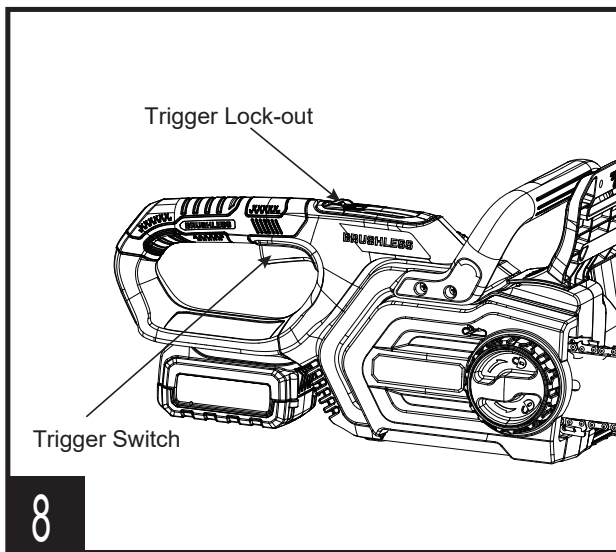
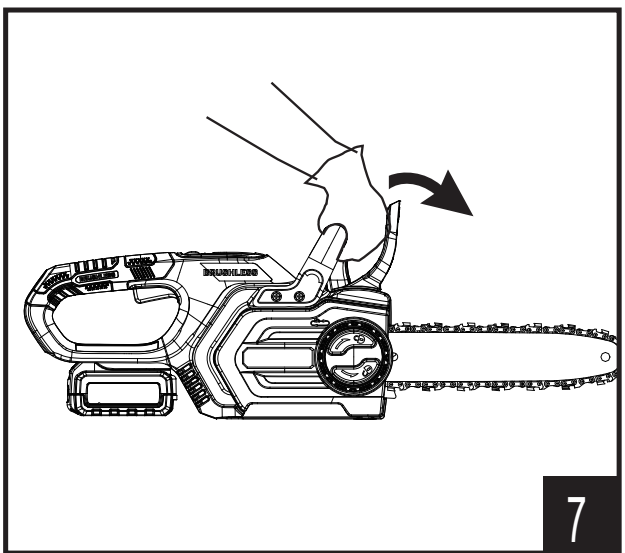
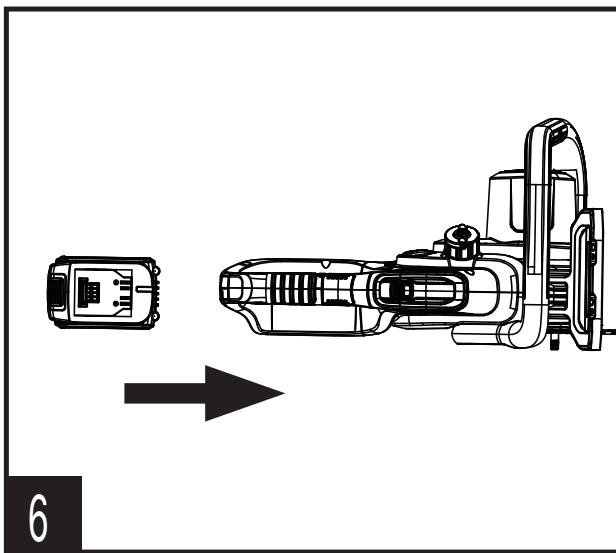
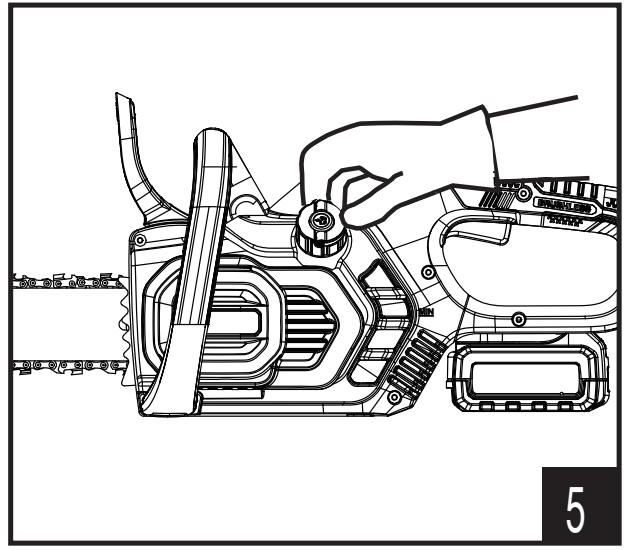
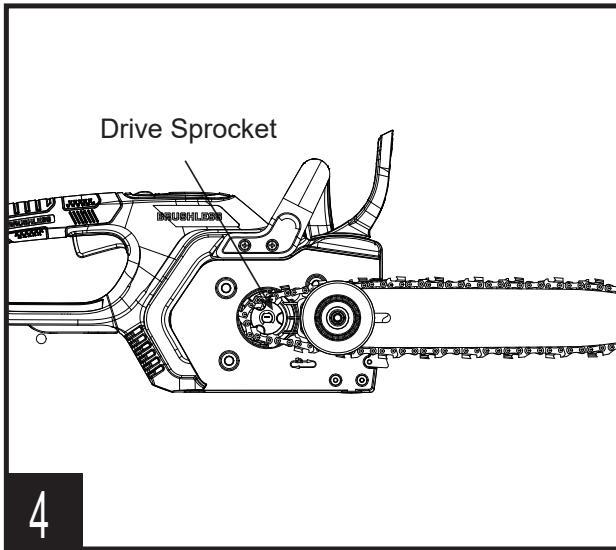
CSX2-M-0

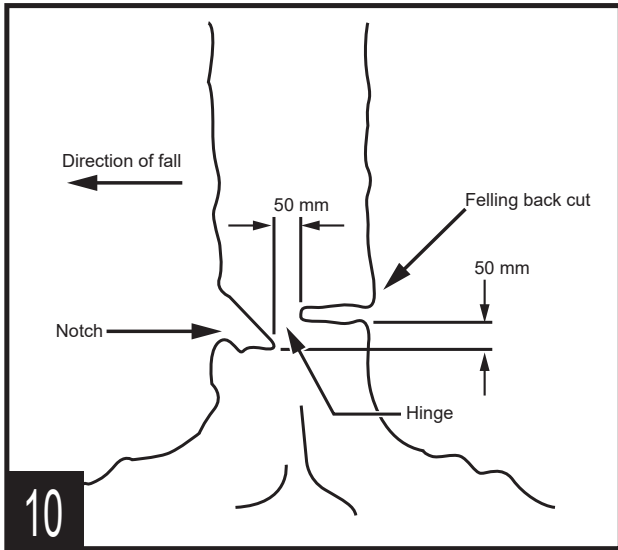


For customer support, please call 1-800-261-3981 or send email to:
Service@senixtools.com
SAVE THIS MANUAL FOR FUTURE REFERENCE.

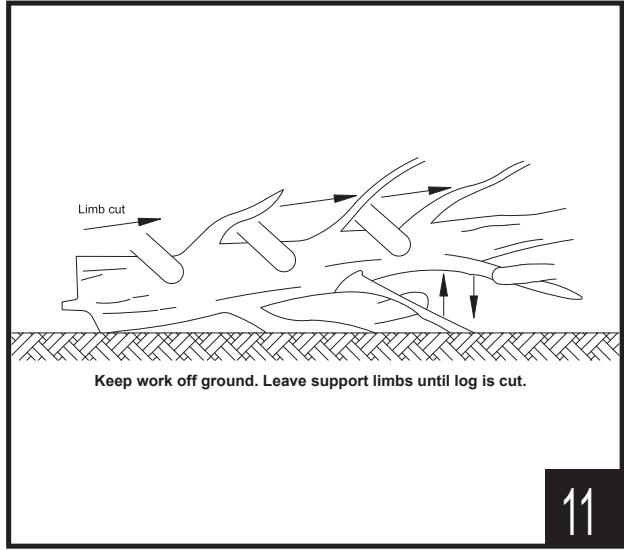
ORIGINAL INSTRUCTIONS



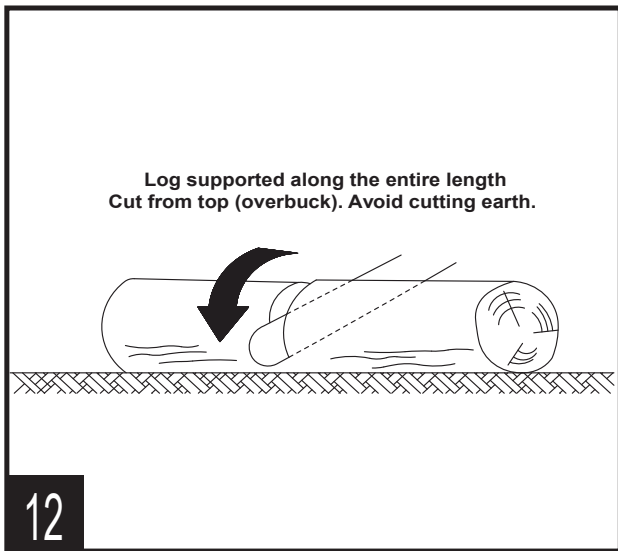




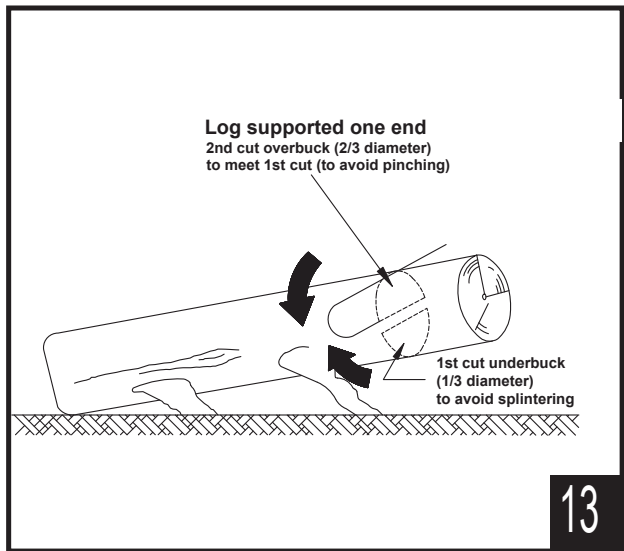
10



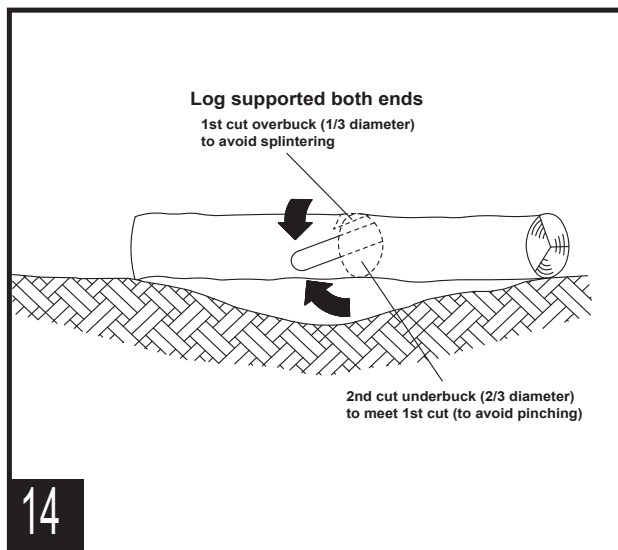
11



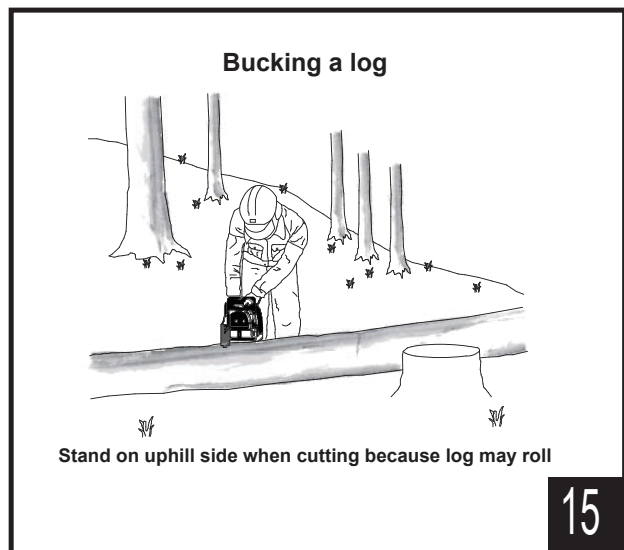
12



13



14



15

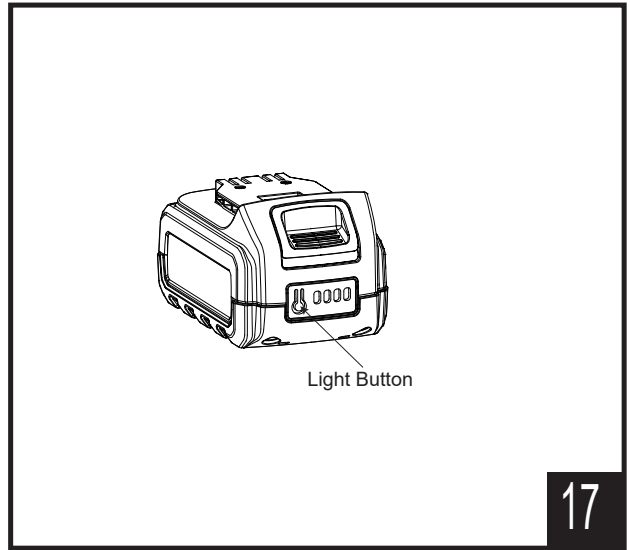
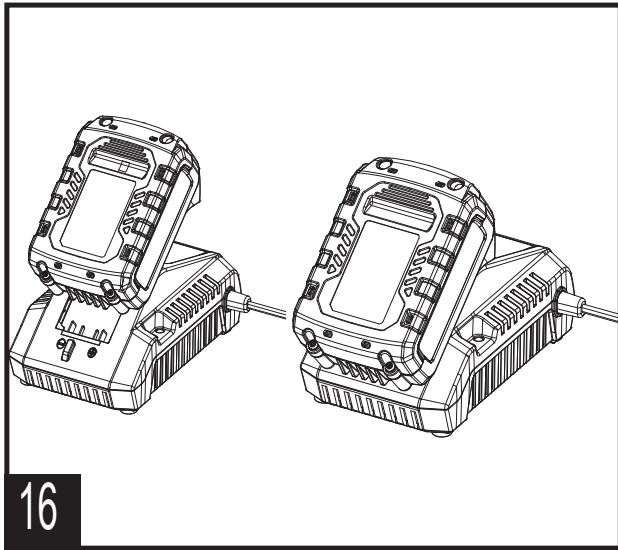


TABLE OF CONTENTS

SAFETY & INTERNATIONAL SYMBOLS6
 SAFETY INSTRUCTIONS.....7
 KNOW YOUR UNIT.....15
 SPECIFICATIONS*15
 ASSEMBLY.....16
 OPERATION.....17
 MAINTENANCE.....19
 TROUBLESHOOTING.....21
 PARTS.....22
 WARRANTY.....23

SAFETY & INTERNATIONAL SYMBOLS

Explanation of safety & international symbols describes safety and international symbols and pictographs that may appear on this product. Read the operator's manual for complete safety, assembly, operating and maintenance and repair information.



Caution / Warning.



To reduce the risk of injury, user must read instruction manual.



Wear eye protection.



Wear hearing protection.



Wear respiratory protection.



Wear protective gloves.



Do not expose to rain.



DANGER – Keep hands away from blade.



Avoid power lines, use in dry conditions.



Keep all bystanders at least 50 ft. away.



Thrown objects can ricochet and result in personal injury or property damage.



Contact of the guide bar tip with any object should be avoided.



Tip contact can cause the guide bar to move suddenly upward and backward, which can cause serious injury.



Always use two hands when operating the chain saw.



Do not dispose of battery packs in rivers or immerse in water.



Do not dispose of battery packs in fire. They will explode and cause injury.



Use and store the battery within a temperature below 122°F(50°C).



Do not disassemble, crush, heat above 212°F(100°C); Never expose the battery to microwaves or high pressures.

SAFETY INSTRUCTIONS

GENERAL POWER TOOL SAFETY WARNINGS

WARNING!

Read all safety warnings and all instructions. Failure to follow the warnings and instructions may result in electric shock, fire and/or serious injury.

Save all warnings and instructions for future reference.

The term “power tool” in the warnings refers to your mains-operated (corded) power tool or battery-operated (cordless) power tool.

1) Work Area Safety

- a. **Keep work area clean and well lit.** Cluttered or dark areas invite accidents.
- b. **Do not operate power tools in explosive atmospheres, such as in the presence of flammable liquids, gases or dust.** Power tools create sparks which may ignite the dust or fumes.
- c. **Keep children and bystanders away while operating a power tool.** Distractions can cause you to lose control.

2) Electrical Safety

- a. **Power tool plugs must match the outlet. Never modify the plug in any way. Do not use any adapter plugs with earthed (grounded) power tools.** Unmodified plugs and matching outlets will reduce risk of electric shock.
- b. **Avoid body contact with earthed or grounded surfaces, such as pipes, radiators, ranges and refrigerators.**
There is an increased risk of electric shock if your body is earthed or grounded.
- c. **Do not expose power tools to rain or wet conditions.**
Water entering a power tool will increase the risk of electric shock.
- d. **Do not abuse the cord. Never use the cord for carrying, pulling or unplugging the power tool.** Keep cord away from heat, oil, sharp edges or moving parts. Damaged or entangled cords increase the risk of electric shock.
- e. **When operating a power tool outdoors, use an extension cord suitable for outdoor use.** Use of a cord suitable for outdoor use reduces the risk of

electric shock.

- f. **If operating a power tool in a damp location is unavoidable, use a residual current device (RCD) protected supply.** Use of an RCD reduces the risk of electric shock.

3) Personal Safety

- a. **Stay alert, watch what you are doing and use common sense when operating a power tool.** Do not use a power tool while you are tired or under the influence of drugs, alcohol or medication. A moment of inattention while operating power tools may result in serious personal injury.
- b. **Use personal protective equipment. Always wear eye protection.** Protective equipment such as dust mask, non-skid safety shoes, hard hat, or hearing protection used for appropriate conditions will reduce personal injuries.
- c. **Prevent unintentional starting. Ensure the switch is in the off-position before connecting to power source and/or battery pack, picking up or carrying the tool.** Carrying power tools with your finger on the switch or

energising power tools that have the switch on invites accidents.

- d. **Remove any adjusting key or wrench before turning the power tool on.** A wrench or a key left attached to a rotating part of the power tool may result in personal injury.
- e. **Do not overreach. Keep proper footing and balance at all times.** This enables better control of the power tool in unexpected situations.
- f. **Dress properly. Do not wear loose clothing or jewelry. Keep your hair, clothing and gloves away from moving parts.** Loose clothes, jewellery or long hair can be caught in moving parts.
- g. **If devices are provided for the connection of dust extraction and collection facilities, ensure these are connected and properly used.** Use of dust collection can reduce dust-related hazards.

4) Power Tool Use And Care

- a. **Do not force the power tool. Use the correct power tool for your application.** The correct power tool will do the job better and safer at the rate for which it

- was designed.
- b. **Do not use the power tool if the switch does not turn it on and off.** Any power tool that cannot be controlled with the switch is dangerous and must be repaired.
 - c. **Disconnect the plug from the power source and/or the battery pack from the power tool before making any adjustments, changing accessories, or storing power tools.** Such preventive safety measures reduce the risk of starting the power tool accidentally.
 - d. **Store idle power tools out of the reach of children and do not allow persons unfamiliar with the power tool or these instructions to operate the power tool.** Power tools are dangerous in the hands of untrained users.
 - e. **Maintain power tools. Check for misalignment or binding of moving parts, breakage of parts and any other condition that may affect the power tools operation.** If damaged, have the power tool repaired before use. Many accidents are caused by poorly maintained
 - f. **Keep cutting tools sharp and clean.** Properly maintained cutting tools with sharp cutting edges are less likely to bind and are easier to control.
 - g. **Use the power tool and any accessories in accordance with these instructions, taking into account the working conditions and the work to be performed.** Use of the power tool for operations different from those intended could result in a hazardous situation.
- ## 5) Battery Tool Use And Care
- a. **Recharge only with the charger specified by the manufacturer.** A charger that is suitable for one type of battery pack may create a risk of fire when used with another battery pack.
 - b. **Use power tools only with specifically designated battery packs.** Use of any other battery packs may create a risk of injury and fire.
 - c. **When battery pack is not in use, keep it away from other metal objects, like paper clips, coins, keys, nails, screws or other small metal objects,**

that can make a connection from one terminal to another. Shorting the battery terminals together may cause burns or a fire.

- d. **Under abusive conditions, liquid may be ejected from the battery; avoid contact.** If contact accidentally occurs, flush with water. If liquid contacts eyes, additionally seek medical help. Liquid ejected from the battery may cause irritation or burns.

6) Service

- a. **Have your power tool serviced by a qualified repair person using only identical replacement parts.** This will ensure that the safety of the power tool is maintained.

CHAIN SAW SAFETY WARNINGS

- **Keep all parts of the body away from the saw chain when the chain saw is operating. Before you start the chain saw, make sure the saw chain is not contacting anything.** A moment of inattention while operating chain saws may cause entanglement of your clothing or body with the saw chain.
- **Always hold the chain saw with your right hand on the rear handle and your left hand on the front handle.** Holding the chain saw with a reversed hand configuration increases the risk of personal injury and should never be done. NOTE: For chain saws designed with the guide bar on the left side, the reference to "right hand" and "left hand" positioning is reversed.
- **Hold the power tool by insulated gripping surfaces only, because the saw chain may contact hidden wiring.** Saw chains contacting a "live" wire may make exposed metal parts of the power tool "live" and could give the operator an electric shock.
- **Wear safety glasses and hearing protection. Further protective equipment for head, hands, legs and feet is recommended.** Adequate protective clothing will reduce personal injury by flying debris or accidental contact with the saw chain.
- **Do not operate a chain saw in a tree.** Operation of a chain saw while up in a tree may result in

personal injury.

- **Always keep proper footing and operate the chain saw only when standing on fixed, secure and level surface.** Slippery or unstable surfaces such as ladders may cause a loss of balance or control of the chain saw.
- **When cutting a limb that is under tension be alert for spring back.** When the tension in the wood fibres is released the spring loaded limb may strike the operator and/or throw the chain saw out of control.
- **Use extreme caution when cutting brush and saplings.** The slender material may catch the saw chain and be whipped toward you or pull you off balance.
- **Carry the chain saw by the front handle with the chain saw switched off and away from your body.** When transporting or storing the chain saw always fit the guide bar cover. Proper handling of the chain saw will reduce the likelihood of accidental contact with the moving saw chain.
- **Follow instructions for lubricating, chain tensioning**

and changing accessories.

Improperly tensioned or lubricated chain may either break or increase the chance for kickback.

- **Keep handles dry, clean, and free from oil and grease.** Greasy, oily handles are slippery causing loss of control.
- **Cut wood only. Do not use chain saw for purposes not intended.** For example: do not use chain saw for cutting plastic, masonry or non-wood building materials. Use of the chain saw for operations different than intended could result in a hazardous situation.

CAUSES AND OPERATOR PREVENTION OF KICKBACK

Kickback may occur when the nose or tip of the guide bar touches an object, or when the wood closes in and pinches the saw chain in the cut.

Tip contact in some cases may cause a sudden reverse reaction, kicking the guide bar up and back towards the operator.

Pinching the saw chain along the top of the guide bar may push the guide bar rapidly back towards the operator.

Either of these reactions may cause you to lose control of the saw which could result in serious personal injury. Do not rely exclusively upon the safety devices built into your saw. As a chain saw user, you should take several steps to keep your cutting jobs free from accident or injury.

Kickback is the result of tool misuse and/or incorrect operating procedures or conditions and can be avoided by taking proper precautions as given below:

- **Maintain a firm grip, with thumbs and fingers encircling the chain saw handles, with both hands on the saw and position your body and arm to allow you to resist kickback forces.** Kickback forces can be controlled by the operator, if proper precautions are taken. Do not let go of the chain saw.
- **Do not overreach and do not cut above shoulder height.** This helps prevent unintended tip contact and enables better control of the chain saw in unexpected situations.
- **Only use replacement bars and chains specified by the manufacturer.** Incorrect replacement bars and chains

may cause chain breakage and/or kickback.

- **Follow the manufacturer's sharpening and maintenance instructions for the saw chain.** Decreasing the depth gauge height can lead to increased kickback.

VIBRATION AND NOISE REDUCTION

To reduce the impact of noise and vibration emission, limit the time of operation, use low-vibration and low-noise operating modes as well as wear personal protective equipment. Take the following points into account to minimize the vibration and noise exposure risks:

- Only use the product as intended by its design and these instructions.
- Ensure that the product is in good condition and well maintained.
- Use correct attachments for the product and ensure they are in good condition.
- Keep tight grip on the handles/gripping surface.
- Maintain this product in accordance with these instructions and keep it well lubricated (where appropriate).

- Plan your work schedule to spread any high vibration tool use across a longer period of time.
- Prolonged use of the product exposes the user to vibrations that can cause a range of conditions collectively known as hand-arm vibration syndrome (HAVS) e.g. fingers going white; as well as specific diseases such as carpal tunnel syndrome.
- To reduce this risk when using the product, always wear protective gloves and keep your hands warm.
- The symptoms of HAVS include any combination of the following: Tingling and numbness in the fingers; Not being able to feel things properly; Loss of strength in the hands; Fingers going white (blanching) and becoming red and painful on recovery (particularly in the cold and wet, and probably only in the tips at first). Seek medical advice immediately if such symptoms are experienced.

EMERGENCY

Familiarize yourself with the use of this product by means of this instruction manual. Memorize the

safety directions and follow them to the letter. This will help to prevent risks and hazards.

- Always be alert when using this product, so that you can recognize and handle risks early. Fast intervention can prevent serious injury and damage to property.
- Switch off the product and remove the battery pack if there are malfunctions. Have the product checked by a qualified professional and repaired, if necessary, before you operate it again.

RESIDUAL RISKS

Even if you are operating this product in accordance with all the safety requirements, potential risks of injury and damage remain. The following dangers can arise in connection with the structure and design of this product:

- Health defects resulting from vibration emission if the product is being used over long periods of time or not adequately managed and properly maintained.
- Injuries and damage to property due to broken attachments or the sudden impact of hidden

objects during use.

- Danger of injury and property damage caused by flying objects.
- Prolonged use of this product expose the operator to vibrations and may produce 'whitefinger' disease. In order to reduce the risk, please wear gloves and keep your hands warm. If any of the 'whitefinger' symptoms appear, seek medical advice immediately. 'Whitefinger' symptoms include: numbness, loss of feeling, tingling, pricking, pain, loss of strength, changes in skin colour or condition. These symptoms normally appear in the fingers, hands or wrists. The risk increases at low temperatures.

WARNING!

This product produces an electromagnetic field during operation! This field may under some circumstances interfere with active or passive medical implants! To reduce the risk of serious or fatal injury, we recommend persons with medical implants to consult their doctor and the medical implant manufacturer before operating this product!

KNOW YOUR UNIT

APPLICATIONS

Model: CSX2-M

As a chainsaw:

Limbing, felling, woodcutting, and remove buttress roots.

1	Battery Pack
2	Motor Housing
3	Auxiliary Handle
4	Handle
5	Switch Trigger
6	Trigger Lock-out
7	Decorative Cover
8	Oil Tank Cap
9	Guard with Chain Break
10	Guide Bar
11	Saw Chain
12	Guide Bar Cover
13	Tensioning Knob
14	Side Cover Knob
15	Side Cover



NOTE:

CSX2-M-0 does not include the charger and the battery pack.

SPECIFICATIONS*

Model	CSX2-M	
Rated voltage	18V d.c.	
No-load speed	4000rpm	
Recommended bar and chain	10inch	
Guide bar length	10inch	
Cutting capacity	8.7inch	
Chain speed	8m/s	
Oil capacity	5.07oz	
Weight (without battery, saw chain and guide bar)	7.05lbs	
Battery pack model	B25X2	B50X2
Rated voltage	18V	18V
Rated capacity	2.5Ah	5.0Ah
Weight	0.74lbs	1.43lbs
Charger model	CHX2	
Rated input	100-240V ~ 50/60Hz	
Rated output	21V, 2000mA	
Charging time (with 2.5 Ah battery)	85mins	
Charging time (with 5.0 Ah battery)	130mins	
Protection class (for charger)	□ / II	
Weight	0.75lbs	

Model	CSX2-M-0
Rated voltage	18V d.c.
No-load speed	4000rpm
Length of the guide bar	10inch
Chain speed	8m/s
Oil capacity	5.07oz
Weight (without battery, saw chain and guide bar)	7.05lbs
Battery pack model	Not included
Charger model	Not included

ASSEMBLY

1. Unpack all parts and lay them on a flat, stable surface:
2. Remove all packing materials and shipping devices, if applicable.
3. The scope of delivery varies depending on the country and purchased variant:
Model of CSX2-M-0
 - Chainsaw x1
 - Instruction manual x1
 - Guide bar x1
 - Guide bar cover x1
 - Saw chain x1
4. If you find that parts are missing or show damage do not use the product but contact your dealer. Using an incomplete or damaged product represents a hazard to people and property.
5. Ensure that you have all the accessories and tools needed for assembly and operation. This also includes suitable personal protective equipment.



NOTE:

CSX2-M includes the charger and the battery pack.
CSX2-M-0 does not include the charger and the battery pack.



WARNING:



Wear protective gloves for this assembly work and always lay the product on a flat and stable surface while assembling.



Follow the assembly instructions step-by-step and use the pictures provided as a visual guide to easily assemble the product!

Do not insert the battery pack before the power tool is completely assembled or adjusted!

INSTALLING THE SAW CHAIN AND THE GUIDE BAR



WARNING:

Ensure the battery pack is removed from the chainsaw before attaching the bar and chain.

1. Turn the side cover knob counterclockwise and remove the side cover (Fig.2).
2. Loop the saw chain into the slot around the guide bar. Make sure the saw chain is in correct running direction by comparing saw chain with the rotation symbol (Fig.3).
3. Mount the chain and guide bar to the product. You may need to preliminarily tension the chain by the tensioning knob for fitting the chain around the drive sprocket.

4. Pull the chain around the bar with your gloved hand or using auxiliary tools to make sure it can run smoothly (Fig.4).



NOTE:

It is still recommended to check for smoothness of the saw chain before operation even after using it for a period of time.

6. Replace the side cover. Meanwhile, prevent the saw chain and the guide bar from sliding out.
7. Lightly tighten the side cover with the side cover knob. Do not tighten too much for further adjustment (Fig.3).
8. Adjust the tension with the tensioning knob until it can be raised approx. 2–3 mm from the guide bar in the centre (Fig.3).
9. Thoroughly tighten the side cover with the side cover nut (Fig.3).



NOTE:

After a short period of use, allow the chain to cool, remove the battery and check the tension again.

BAR AND CHAIN OIL FILLING



WARNING:

Bar and chain oil prevents premature wear. Never operate the chainsaw if oil is not visible. Check oil level frequently and fill as needed.



NOTE:

Bar and chain oil is required to properly lubricate the guide bar and saw chain. The chainsaw is equipped with an automatic oiler that deposits oil on the bar and chain when running, keeping them properly lubricated.

1. Place the chainsaw on its side on a firm, flat surface.
2. Clean any debris from the cap area.
3. Remove the oil tank cap (Fig.5).
4. Carefully pour the bar and chain oil into the tank .
5. Replace the cap and make sure oil is visible in the tank.

INSTALLING/REMOVING THE BATTERY PACK

To install:

Slide the battery pack to the battery docking port on the product until it clicks (Fig.6). Double check the connection between them.

To remove:
Press the unlock button on the battery pack and slide out the battery pack.

2. Run the chainsaw for about two minutes.
3. Remove the battery.
4. Remove the side cover.
5. Check for oil on the bar.

OPERATION



WARNING:

To avoid serious personal injury, do not operate the chainsaw without the guide bar, saw chain and side cover properly assembled. Do not attempt to operate the chainsaw if any part is damaged or missing.

TESTING THE CHAIN BRAKE

This chainsaw is designed with a function of chain brake on the guard, which stops both the motor and the motion of the chain when kickback occurs. The chain brake can be activated by pushing the guard forward as the saw rotates backward during kickback. Make sure the chain brake can work normally without any malfunctions before using the chainsaw.

To check the chain brake (Fig.7):

- Place the saw on a firm, flat surface.
- Start the saw briefly.
- Push the guard forward to activate the function of chain brake. A properly functioning chain brake stops the motor and saw chain immediately. If the motor and saw chain do not stop immediately, have the chain brake checked at an approved service location.
- Release the switch trigger.
- Return to operating position.

PRIMING THE OILER



WARNING:

Keep hands, clothing, and hair away from the drive sprocket when priming the oiler.



NOTE:

Prime the oiler before the first use or after being stored for a long time.

It is essential to fill with oil before use. Operating the chainsaw without bar and chain oil will result in damage to the chain saw. The chain is automatically lubricated with oil during operation via the oil outlet.

1. Insert the battery.

TENSIONING THE SAW CHAIN



NOTE:

Check the tension between the saw chain and the guide bar before every start.



WARNING:

Only tension the saw chain when the chain is cool. A hot chain may contract and damage the guide bar or chain as it cools.

1. It is no need to remove the side cover for adjusting tension of saw chain. Just loosen the side cover nut slightly to unlock the guide bar and saw chain which completely locked during operation.
2. Twist the tensioning knob till the chain come to a suitable tension status. The saw chain is correctly tensioned when it can be raised approx. 2–3 mm from the chain bar in the centre.
3. Finally tighten the side cover nut after adjustment.



NOTE:

If the chain is still loose when the saw is at maximum tension, replace the chain.

SWITCHING ON/OFF

Ensure the guard is at operation position. If not, turn it back manually.

Keep pressing the trigger lock-out at first, then squeeze the switch trigger to start the product. Just release the trigger lock-out once the chainsaw starts (Fig.8).

To turn off the chainsaw, release the switch trigger .

OVERHEAT PROTECTION OF CHAINSAW

When the temperature of PCB is above 248°F(120°C) during operation, The chainsaw will be shut down automatically. Wait it to cool down for about five minutes then restart the product.

GENERAL SAWING TECHNIQUES



NOTE:

It is recommended that first-time user should, as a minimum practice, cutting logs on a saw-horse or cradle.

- Saw off the lower branches on the tree first. By doing so, it is easier for the cut branches to fall to the ground.
- At the end of the cut, the weight of the saw suddenly increases for the user since it is no longer being supported by a branch. There is a risk of losing control of the saw, so make sure to stay alert during the entire sawing operation.
- Only pull the saw out of a cut while the saw is running. By doing so, you prevent the chain from jamming in the wood.
- DO NOT saw with the tip of the chain bar. DO NOT saw into the branch formations (where the tree branches outwards). This will impede the tree's ability to heal.
- For sawing off smaller branches, place the stop face of the saw on the branch. This prevents unwanted movements of the saw at the beginning of the cut. While applying light pressure, guide the saw through the branch from top to bottom.
- For sawing off larger branches, first make a relief cut. Saw through 1/3 of the branch diameter from the bottom to top using the top side of the chain bar. Then saw from top to bottom for the other 2/3 using the bottom side of the chain bar. Saw off longer branches in sections in order to maintain control over the location of impact.

FELLING A TREE

When cross-cutting/bucking and felling operations are being performed by two or more persons at the same time, the felling operations should be separated from the crosscutting/ bucking operation by a distance of at least twice the height of the tree being felled.

Trees should not be felled in a manner that would endanger any person, strike any utility line or cause any property damage. If the tree does make contact with any utility line, the company should be notified immediately.

The chain saw operator should keep on the uphill side of the terrain as the tree is likely to roll or slide downhill after it is felled.

An escape path should be planned and cleared as necessary before cuts are started. The escape path should extend back and diagonally to the rear of the expected line of fall (Fig.9).

Before felling is started, consider the natural lean of the tree, the location of larger branches and the wind direction to judge which way the tree will fall.

Remove dirt, stones, loose bark, nails, staples and wire from the tree.

NOTCHING UNDERCUT

Make the notch 1/3 the diameter of the tree, perpendicular to the direction of falls (Fig.10). Make the lower horizontal notching cut first. This will help to avoid pinching either the saw chain or the guide bar when the second notch is being made.

FELLING BACK CUT

Make the felling back cut at least 2inch(50 mm) higher than the horizontal notching cut (Fig.10). Keep the felling back cut parallel to the horizontal notching cut. Make the felling back cut so enough wood is left to act as a hinge. The hinge wood keeps the tree from twisting and falling in the wrong direction. Do not cut through the hinge.

As the felling gets close to the hinge, the tree should begin to fall. If there is any chance that the tree may not fall in desired direction or it may rock back and bind the saw chain, stop cutting before the felling back cut is complete and use wedges of wood, plastic or aluminium to open the cut and drop the tree along the desired line of fall.

When the tree begins to fall, remove the chain saw from the cut, stop the motor, put the chain saw down, then use the retreat path planned. Be alert for overhead limbs falling and watch your footing.

LIMBING A TREE

Limbing is removing the branches from a fallen tree. When limbing leave larger lower limbs to support the log off the ground. Remove the small limbs in one cut as (Fig.11). Branches under tension should be cut from the bottom up to avoid binding the chain saw.

CROSS-CUTTING/BUCKING A LOG

Cross-cutting/bucking is cutting a log into lengths. It is important to make sure your footing is firm and your weight is evenly distributed on both feet. When possible, the log should be raised and supported by the use of limbs, logs or chocks. Follow the simple directions for easy cutting.

When the log is supported along its entire length (Fig.12), it is cut from the top (overbuck).

When the log is supported on one end (Fig.13), cut 1/3 the diameter from the underside (underbuck). Then make the finished cut by overbucking to meet the first cut.

When the log is supported on both ends (Fig.14), cut 1/3 the diameter from the top (overbuck). Then make the finished cut by underbucking the lower 2/3 to meet the first cut.

When cross-cutting/bucking on a slope always stand on the uphill side of the log (Fig.15). When "cutting through", to

maintain complete control, release the cutting pressure near the end of the cut without relaxing your grip on the chain saw handles.

Don't let the chain contact the ground. After completing the cut, wait for the saw chain to stop before you move the chain saw. Always stop the motor before moving from tree to tree.

CHARGING THE BATTERY PACK



WARNING:

This Lithium-Ion battery pack is shipped partially charged. Fully charge the battery pack before using it for the first time.



NOTE:

Charge batteries at a ambient temperature of 32°F-104°F (0°C-40°C) and always store batteries at a ambient temperature of 32°F-77°F (0°C-25°C).

1. Charge the Lithium-Ion battery pack only with the correct charger.
2. Connect the charger to a power supply, the light indicator of the charger turns red.
3. Align the raised ribs of the battery pack with the slot in the charger (Fig.16).
4. Insert the battery pack into the charger, the light indicator of the charger turns green and it flashes.
5. The charger will communicate with the battery pack to evaluate the condition of the battery pack.
6. It is fully charged that the four lights of the battery turn on. Disconnect the power supply from the charger. Remove battery pack from the charger.

CHARGING INDICATOR

Press the light button on the battery pack to check whether it needs to charge (Fig.17) .

Lights			Status
Lighted	Off	Blinking	
			The battery is at full capacity.
			The battery is at 75% capacity.

	The battery is at 50% capacity and requires charging.
	The battery is at 25% capacity and requires charging soon.
	The battery is less than 5% capacity and requires charging immediately.



WARNING:

Malfunctions may occur when the four lights blinking in turns.

OVERHEAT PROTECTION

When the tool/battery is overheated, the tool stops automatically. In this situation, let the power tool/battery cool before turning the tool on again.

OVERDISCHARGE PROTECTION

When the battery capacity is not enough, the tool stops automatically. In this case, remove the battery from the tool and charge the battery.

MAINTENANCE



WARNING:

Failure to identify and replace damaged or worn parts can cause serious personal injury. Inspect the chainsaw regularly. Regular inspection is the first step to proper maintenance. Follow the guidelines below to maximize safety and satisfaction. Have any damaged or excessively worn parts replaced immediately.



WARNING:

Always remove the battery pack and let the product completely cool down before performing cleaning and maintenance work!
Always wear gloves to reduce the risk of injury when operating this unit.
Only perform cleaning and maintenance work according to these instructions! All further works must be performed by a qualified specialist!

REPLACING/CHANGING THE SAW CHAIN AND GUIDE BAR

Exchange a worn guide bar/chain saw refers to "INSTALLING THE SAW CHAIN AND THE GUIDE BAR". Only use the specified parts for replacements.

SHARPENING THE SAW CHAIN

Do not sharpen the saw chain by yourself, unless you are experienced in doing so. It is recommended to have the chain saw sharpened by an authorized service.

CLEANING

- Remove the battery.
- Remove wood chips and other debris from the battery port. Clean dirty contacts with a soft, dry cloth. Dirt or oil can cause a poor electrical connection, resulting in loss of power.



WARNING:

There are no user serviceable parts inside the battery pack. Do not disassemble.

- After use, clean debris from the saw chain and guide bar. Wipe power head with a clean cloth moistened with a mild soap solution. Never use harsh cleaners or solvents.
- Always clean out wood chips, saw dust and dirt from the bar groove when replacing saw chain.
- Ensure that the chain tensioning gear is free of wood chips and other debris.



NOTE:

When cleaning the chainsaw powerhead, do not immerse in water or other liquids.

TRANSPORT

- Remove battery pack from the chainsaw.
- Install the guide bar cover.
- If desired, drain the bar and chain oil to reduce seepage.
- Carry saw with bar and chain facing behind the operator.
- Tools can shift during transport. Ensure the tool is secure and cannot fall or move into contact with people or property.

STORAGE

- Remove the battery pack from the chainsaw.

- Clean chainsaw thoroughly as described above.
- Install the guide bar cover and place an absorbent pad under the bar.
- Store in a dry place.
- Keep out of reach of children or pets.
- We recommend using the original package for storage or covering the product with a suitable cloth or enclosure to protect it against dust.



NOTE:

To prolong battery life, never store battery pack in a completely discharged condition. Make sure the battery pack is charged once per year or when the LED indicator shows only one light.

DISPOSAL

Waste product should not be disposed of with household waste. Please recycle where facilities exist.

Check with your local authority or retailer for recycling advice.



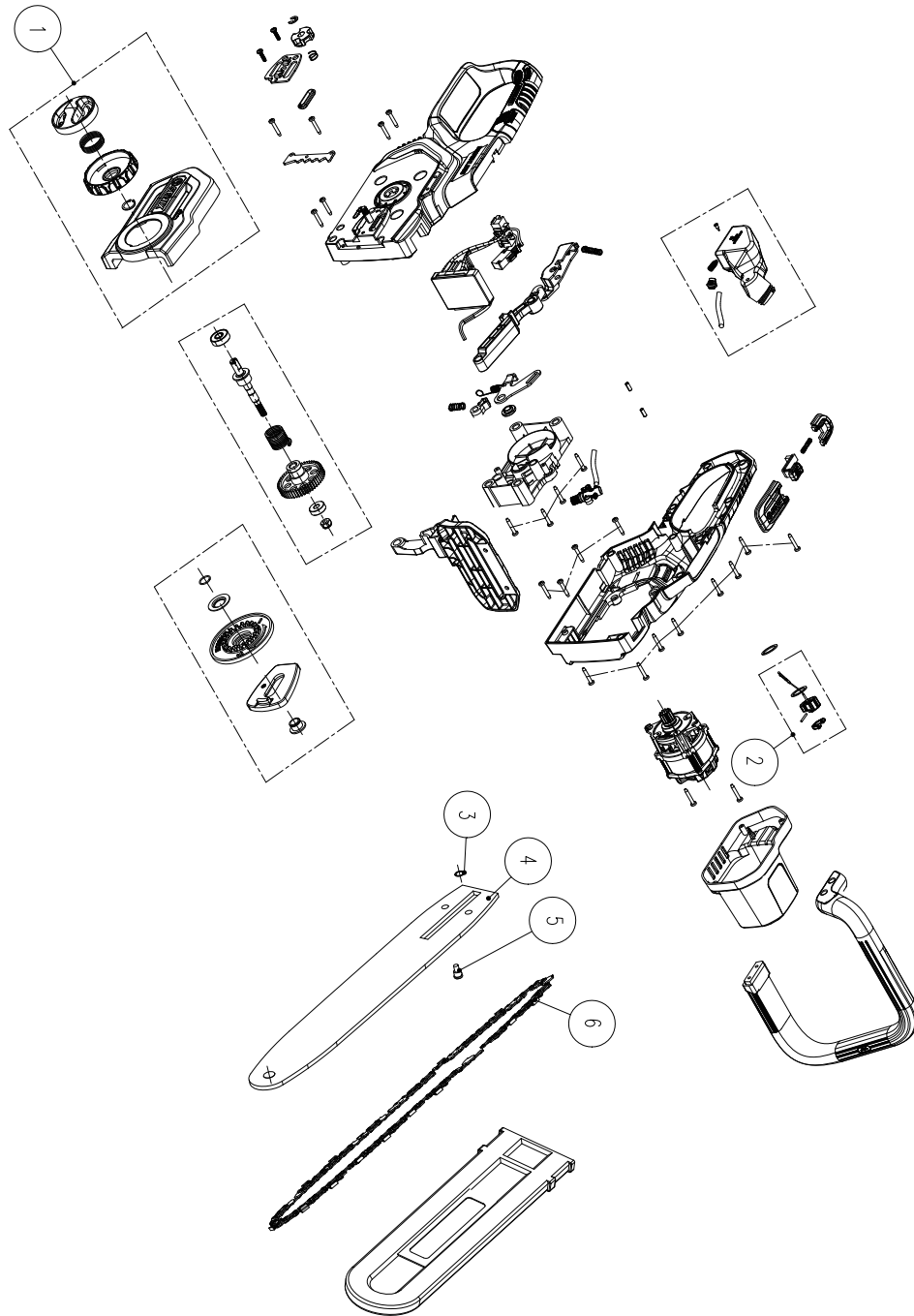
Electrical products should not be discarded with household products. Used electrical products must be collected separately and disposed of at collection points provided for this purpose. Talk with your local authorities or dealer for advice on recycling.

TROUBLESHOOTING

Suspected malfunctions are often due to causes that the users can fix themselves. Therefore, check the product using this section. In most cases the problem can be solved quickly.

PROBLEM	POSSIBLE CAUSE	SOLUTION
Motor does not run or runs intermittently	Chain brake engaged	Pull back the guard.
	Battery discharged	Recharge. See "CHARGING THE BATTERY PACK" in this manual.
	Trigger lock-out not opened	See "SWITCHING ON/OFF" in this manual.
	Battery pack not fully inserted	Clean debris from the battery port and terminals with a clean dry cloth or non-conductive brush.
	Debris in side cover	Remove battery pack, then remove side cover and clean out debris.
	Battery pack cold	Allow battery to warm above the minimum operating temperature of 32°F (0°C).
Battery pack does not charge	Battery pack over/under temperature protection is activated	This may occur when the saw is run continuously or exposed to high ambient temperatures. Allow the battery pack to reach the acceptable temperature before charging.
	Dirty or damaged contacts on battery pack or charger	Inspect the contacts on the both the battery pack and charger. If necessary, clean according to the instructions in this manual. Reinsert battery pack into the charger, making sure it is fully seated.
	Battery pack is at the end of its life	All batteries have a limited life. If the battery pack is more than two years old or has been recharged frequently, it may be time to replace it. Replace only with the battery pack specified for this chainsaw.
	Charger faulty	Have the function checked at an approved service location.
Chainsaw does not cut properly	Insufficient chain tension	Adjust the tensioning gear again.
	Dull / worn chain	Sharpen or replace the chain.
	Chain installed backwards	Refer to "INSTALLING THE SAW CHAIN AND THE GUIDE BAR".
	Dry or excessively stretched chain	Check the oil level. Refer to "OIL FILLING".
Motor runs, but chain does not rotate	Chain not engaging drive sprocket	Reinstall the chain, making sure the drive links on the chain are fully seated on the sprocket.
Chain brake does not engage	Debris preventing full movement of guard	Clean debris from external chain brake mechanism.
	Possible chain brake malfunction	Contact an approved service location immediately.

PARTS



No.	Part #	Description	Qty.
1	199001000612	Side cover	1
2	199123000462	Oil tank cap assembly	1
3	207270100003	Push plate seal ring	1
4	199140000081	Guide Bar	1
5	8206-438201-00	Push plate tension screw	1
6	8344-433201-0000000	Saw chain	1

WARRANTY

LIMITED TWO-YEAR WARRANTY

2-year limited warranty on all Senix X2 series outdoor battery powered equipment and charger. 2-year limited warranty on all Senix X2 batteries.*

FOR TWO YEARS from the original date of retail purchase this Senix product is warranted against defects in materials or workmanship on power tools and chargers. Defective product will receive free repair.*

FOR TWO YEARS from the original date of retail purchase this Senix product is warranted against defects in materials or workmanship on batteries. Defective product will receive free repair.*

This warranty does not cover normal wear of parts and components such as cutting chain, line or blades nor does this warranty cover product transportation cost for warranty or service.

Warranty is subject to the following conditions:

- Warranty applies to the original purchaser at retail and is not transferrable*
- Warranty Registration at www.senixtools.com
- The tool has not been misused, abused, neglected, altered, modified or repaired by anyone other than an authorized service center
- Only genuine Senix accessories have been used with or on this product
- The tool has been subjected to normal wear and tear
- The tool has not been used for trade or professional purposes
- The tool has not been used for rental purposes
- This warranty only covers defects arising under normal usage and does not cover any malfunction, failure or defect resulting from misuse, abuse (including overloading the product, exposure to water or rain) accidents, neglect or lack of proper installation and improper maintenance or storage.

To locate your nearest Senix service provider call toll free at 800-261-3981 or email us at service@senixtools.com.

Additional Limitations

Any implied warranty granted under state law, including warranties of merchantability or fitness for a particular purpose, are limited to three years from the date of purchase on power tools and chargers and seven years on batteries. The manufacturer is not responsible for direct, indirect, incidental or consequential damages. Some states and provinces do not allow limitations on how long an implied warranty lasts and/or do not allow the exclusion or limitation of incidental damages, so the above limitations and exclusions may not apply to you. This warranty gives you specific legal rights, and you may also have other rights which vary from state to state or province to province.

The YAT USA declines any responsibility in regard to civil liability arising from abusive use or not in conformity with proper use and maintenance of the machine as described in the operator's manual.

YAT USA is not responsible for direct, indirect, incidental or consequential damages.

After the purchase, the manufacturer recommends proper maintenance of the machine and to read the operator's manual before using the machine.

*Original purchase receipt may be required for proof of purchase

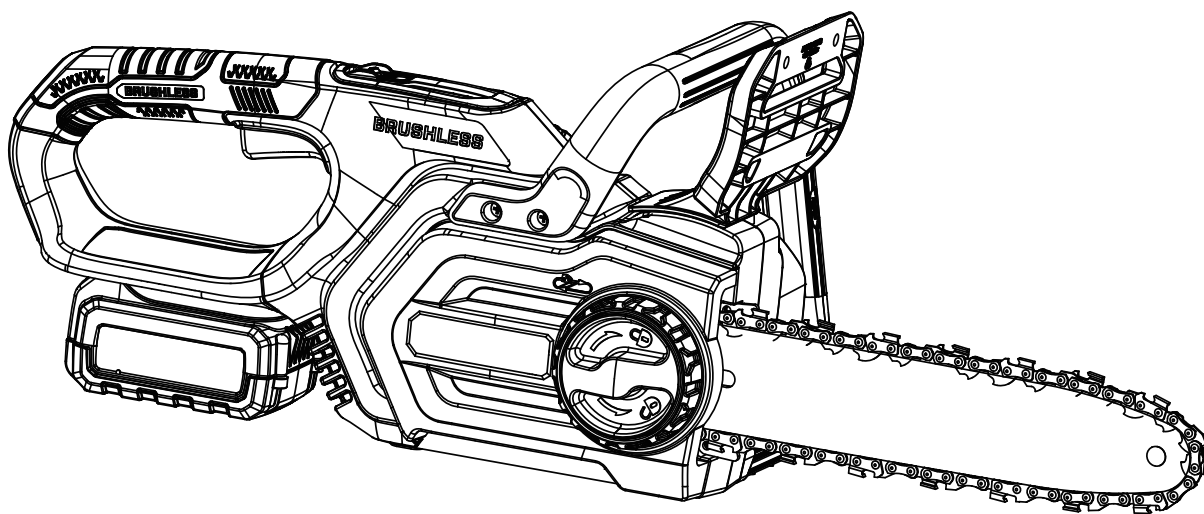
For customer service contact us toll free at 1-800-261-3981 or Senixtools.com.

YAT USA, Inc. 6441 Hendry Rd. Suite A Charlotte, NC. 28269



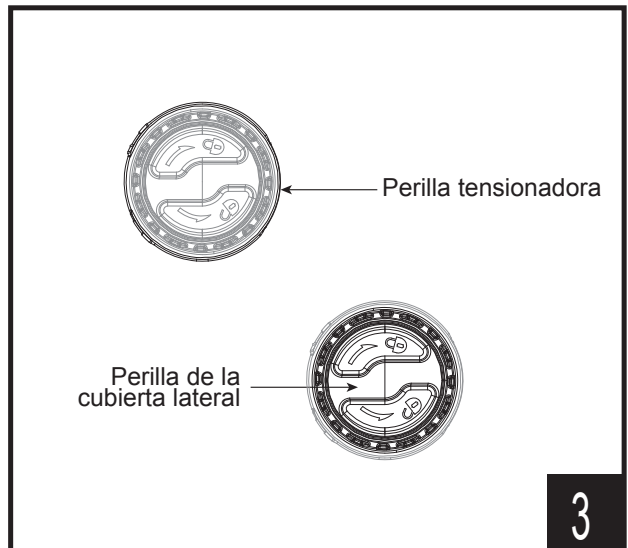
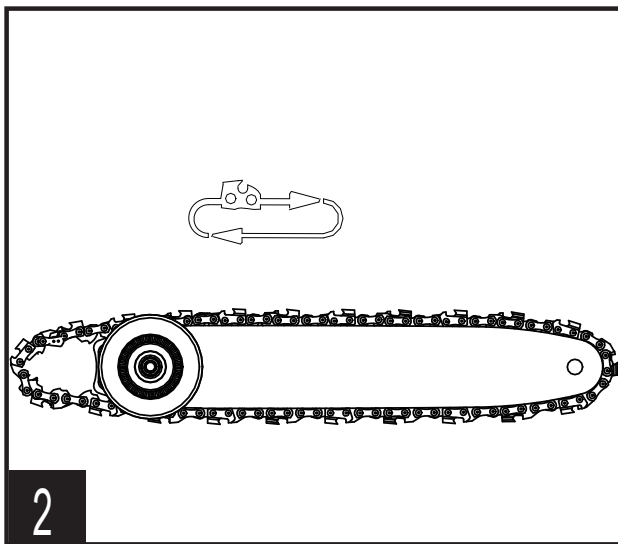
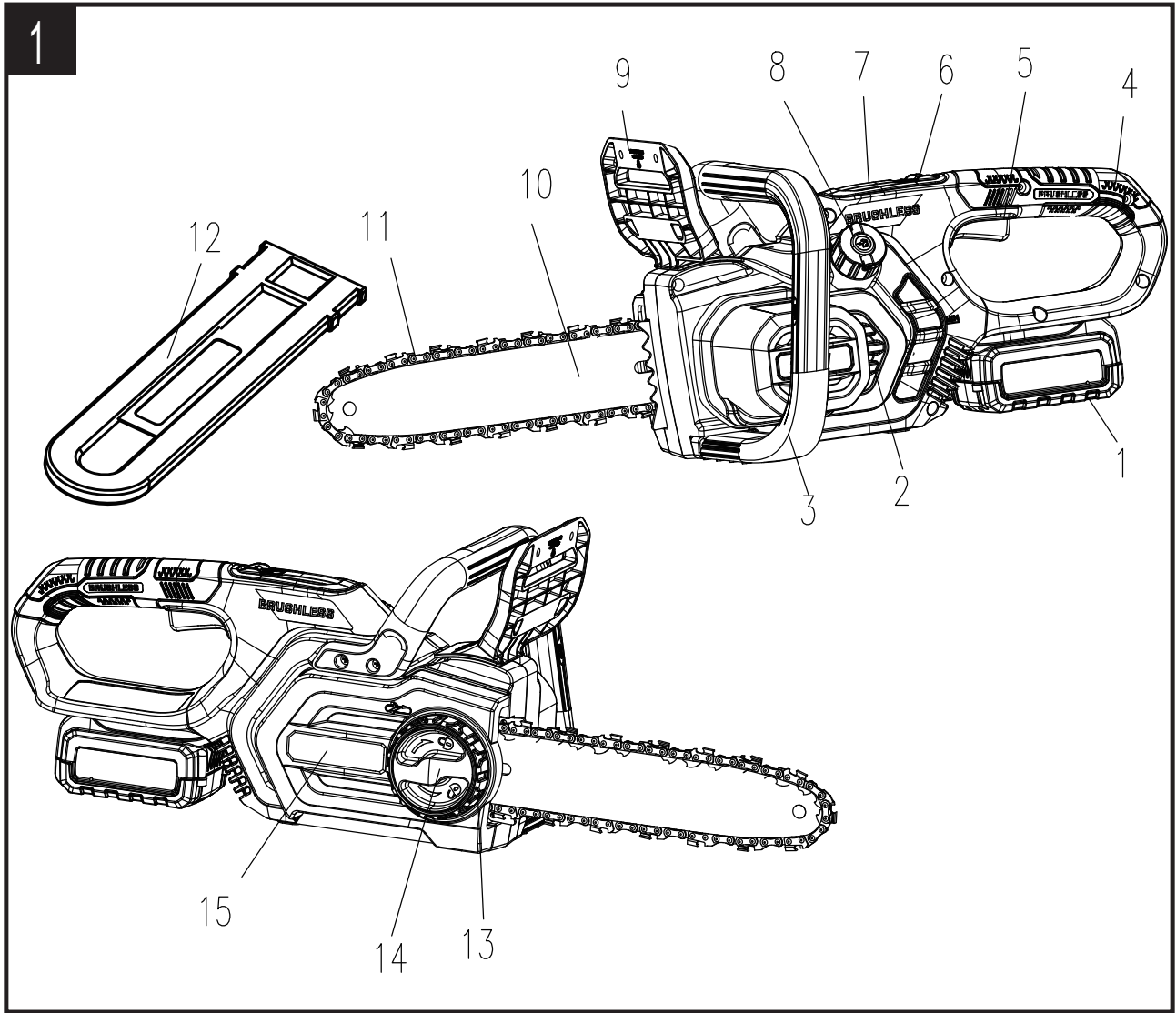
MOTOSIERRA INALÁMBRICA 20V MÁX DE IONES DE LITIO

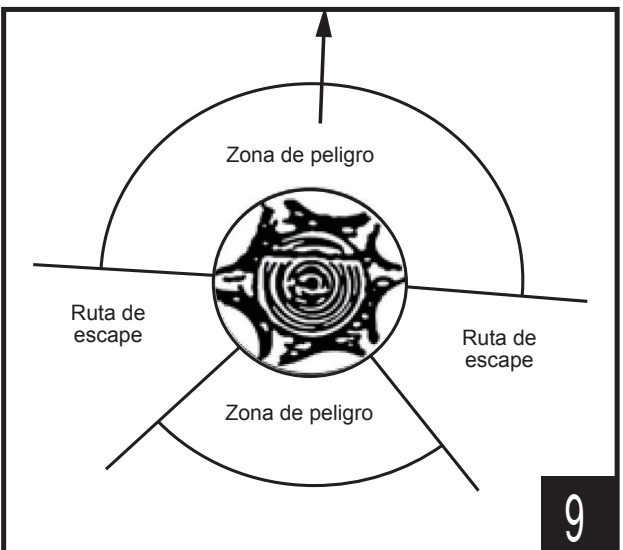
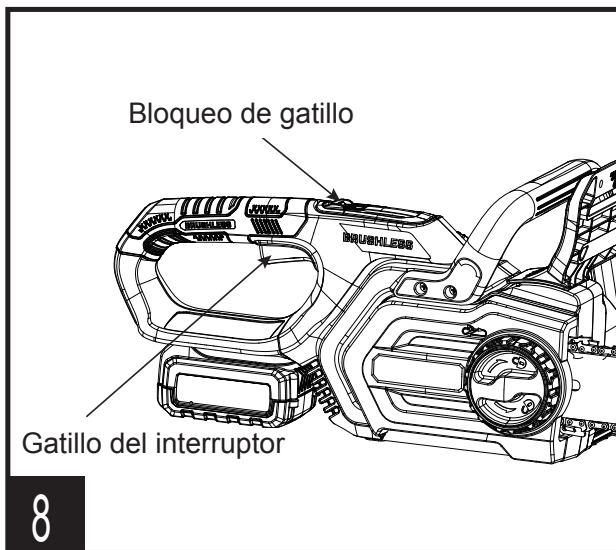
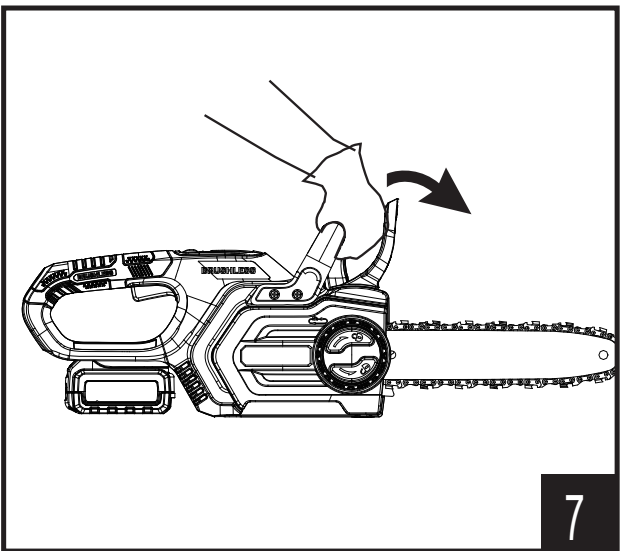
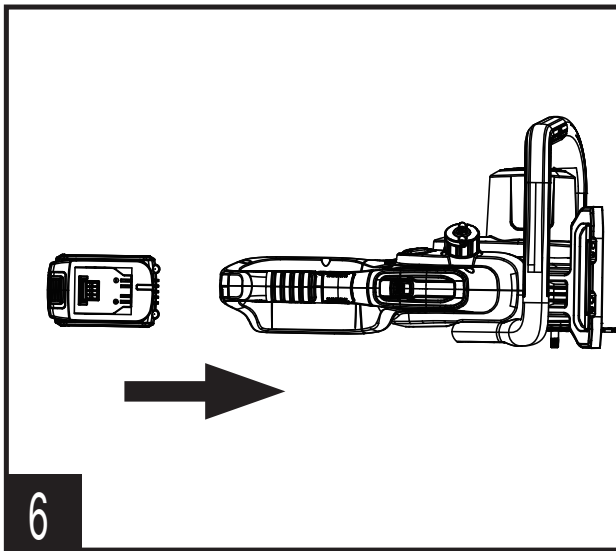
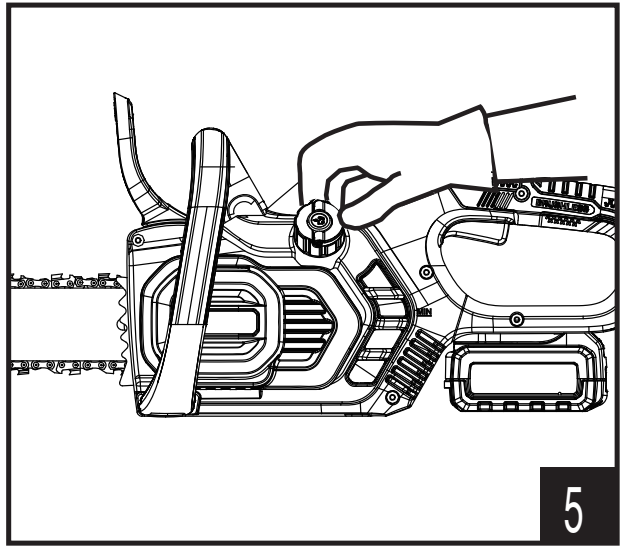
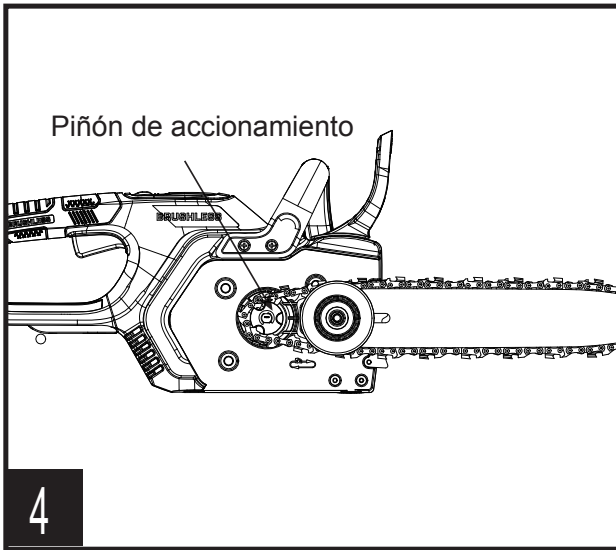
Manual del operador
Modelo: CSX2-M
CSX2-M-0

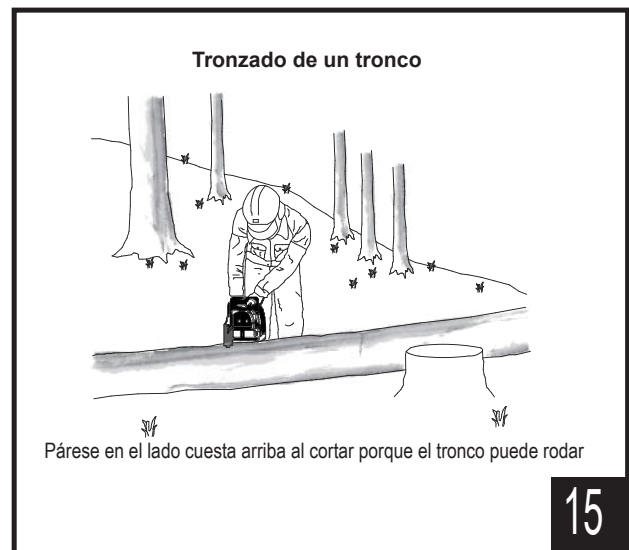
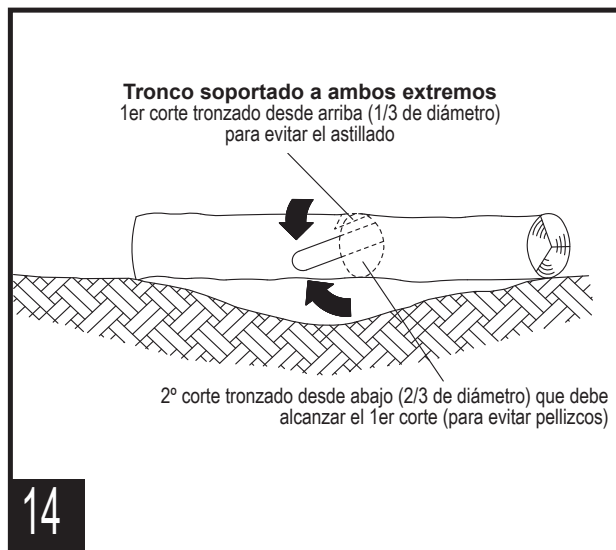
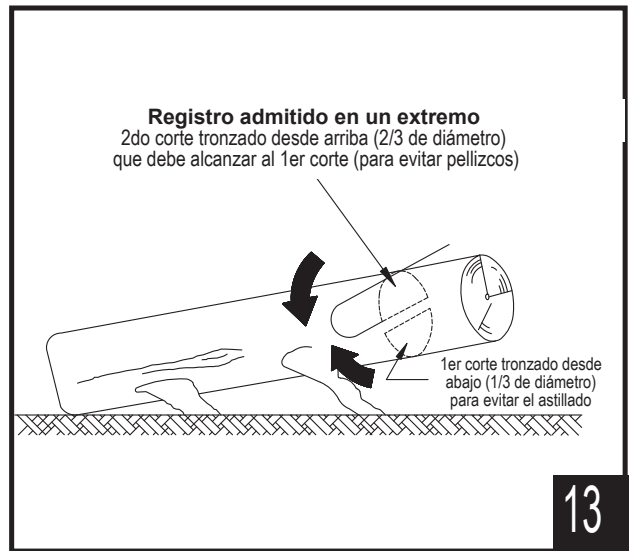
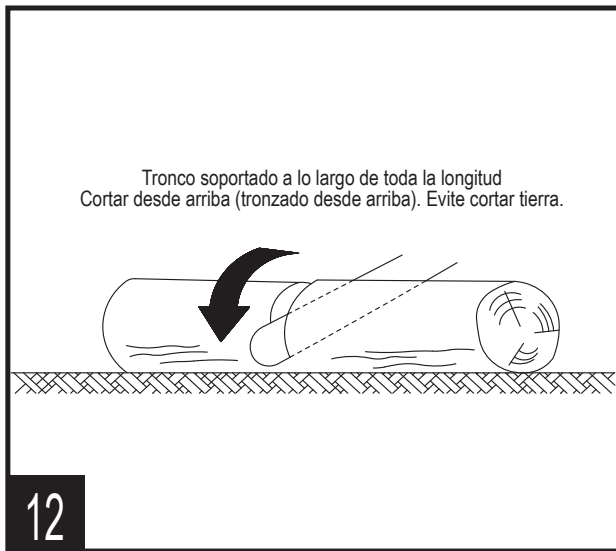
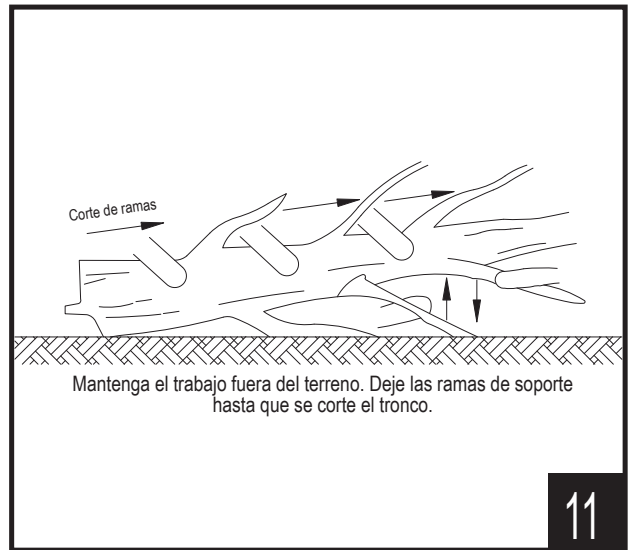
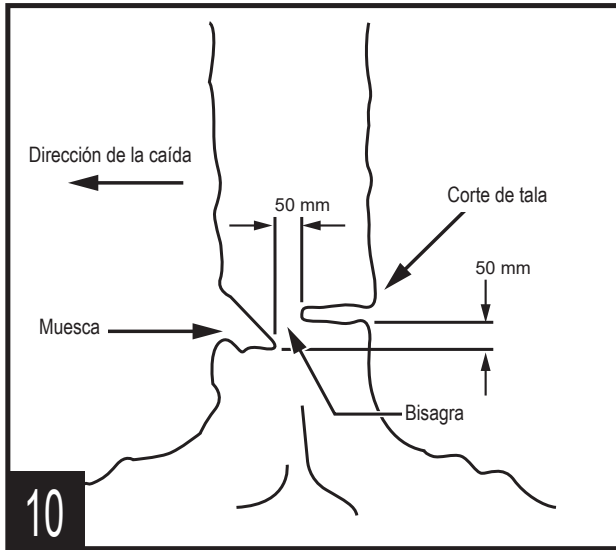


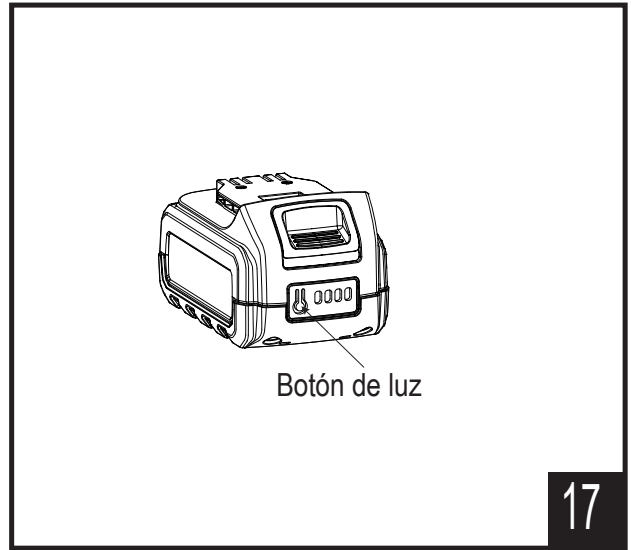
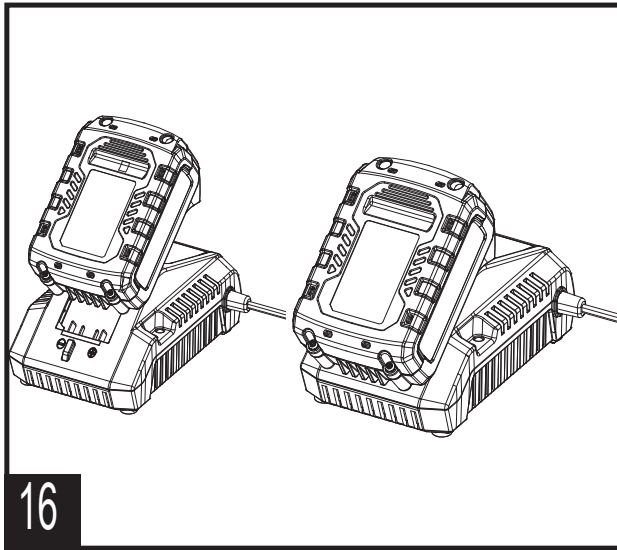
Para el servicio de atención al cliente, llame al 1-800-261-3981 o envíe un email a:
Service@senixtools.com
GUARDE ESTE MANUAL PARA FUTURAS CONSULTAS.

INSTRUCCIONES ORIGINALES









ÍNDICE

SEGURIDAD Y SÍMBOLOS INTERNACIONALES	29
INSTRUCCIONES DE SEGURIDAD	30
CONOZCA SU UNIDAD	39
ESPECIFICACIONES*	39
ENSAMBLAJE	40
OPERACIÓN	41
MANTENIMIENTO	44
SOLUCIÓN DE PROBLEMAS	46
PIEZAS	47
GARANTÍA	48

SEGURIDAD Y SÍMBOLOS INTERNACIONALES

Este manual del operador describe la seguridad y los símbolos y pictogramas internacionales que pueden aparecer en este producto. Lea el manual del operador para obtener información completa sobre seguridad, montaje, operación y mantenimiento y reparación.



Precaución / Advertencia.



Para reducir el riesgo de lesiones, el usuario debe leer y entender el manual de instrucciones.



Use protección para los ojos



Use protección auditiva.



Use protección respiratoria.



Use guantes de protección.



No exponer el producto a la lluvia.



PELIGRO: mantenga las manos alejadas de la cuchilla.



Evite las líneas eléctricas y use el producto en condiciones secas.



Mantenga a todos los transeúntes al menos a 50 pies de distancia.



Los objetos lanzados pueden rebotar y causar lesiones personales o daños a la propiedad.



Se debe evitar el contacto de la punta de la barra guía con cualquier objeto.



El contacto con la punta puede hacer que la barra de la cadena se mueva repentinamente hacia arriba y hacia atrás, lo cual puede causar lesiones graves.



Siempre use las dos manos cuando opere la motosierra.



No deseche los paquetes de baterías en los ríos ni los sumerja en agua.



No arroje los paquetes de baterías al fuego. Explotarán y causarán lesiones.



Use y guarde la batería a una temperatura inferior a 122°F (50 °C).



No desensamble, aplaste o caliente por encima de los 212°F (100°C). Nunca exponga la batería a microondas o altas presiones.

INSTRUCCIONES DE SEGURIDAD

ADVERTENCIAS DE SEGURIDAD GENERALES PARA HERRAMIENTAS ELÉCTRICAS

⚠ ¡ADVERTENCIA!

Lea todas las instrucciones y advertencias de seguridad. Si no sigue las advertencias y las instrucciones, puede producirse una descarga eléctrica, un incendio y/o una lesión seria.

Guarde todas las advertencias e instrucciones para su consulta futura.

El término "herramienta eléctrica" que aparece en las advertencias se refiere a sus herramientas alimentadas por la red eléctrica (con cable) o a sus herramientas alimentadas por batería (sin cable o inalámbricas).

1) Seguridad en el área de trabajo

- a. **Conserve el área de trabajo limpia y bien iluminada.** Las áreas desordenadas invitan a los accidentes.
- b. **No opere herramientas eléctricas en ambientes explosivos, como ante la presencia de líquidos, gases o polvos inflamables.** Las herramientas

eléctricas generan chispas que pueden hacer arder el polvo o los vapores.

- c. **Mantenga a los niños y espectadores alejados mientras esté operando una herramienta eléctrica.** Las distracciones pueden hacerle que pierda el control.

2) Seguridad eléctrica

- a. **Los enchufes de las herramientas eléctricas deben coincidir con el tomacorriente.** Nunca modifique el enchufe de ninguna manera. **No utilice enchufes adaptadores con herramientas eléctricas conectadas a tierra.** Los enchufes sin modificar y los tomacorrientes coincidentes reducirán el riesgo de descarga eléctrica.
- b. **Evite el contacto con superficies puestas a tierra, como tuberías, radiadores, cocinas y refrigeradores.** Existe un mayor riesgo de electrocución si el cuerpo está conectado a tierra.
- c. **No exponga las herramientas eléctricas a la lluvia o a condiciones húmedas.** El agua que ingresa a una herramienta eléctrica aumentará el riesgo de

descarga eléctrica.

- d. **No maltrate el cable. Nunca use el cable para transportar, desenchufar o tirar de la herramienta eléctrica.** Mantenga el cable alejado del calor, el aceite, los bordes afilados o las piezas móviles. Los cables dañados o enredados aumentan el riesgo de descarga eléctrica.
- e. **Cuando opere una herramienta eléctrica al aire libre, use un cable de extensión para uso en exteriores.** El uso de un cable para exteriores reduce el riesgo de descarga eléctrica.
- f. **Si no puede evitar operar una herramienta eléctrica en un lugar húmedo, use un suministro eléctrico protegido mediante un dispositivo de corriente residual (DCR)** El uso de un DCR reduce el riesgo de electrocución.

3) Seguridad personal

- a. **Manténgase alerta, preste atención a lo que está haciendo y use el sentido común cuando opere una herramienta eléctrica.** No utilice una herramienta eléctrica cuando esté cansado o bajo la influencia de drogas, alcohol o medicamen-

tos. Un momento de descuido durante la operación de herramientas eléctricas puede provocar una lesión personal seria.

- b. **Use los equipos de protección personal. Use siempre protección para los ojos.** Los equipos de protección que utilice para las condiciones adecuadas, como mascarillas antipolvo, zapatos de seguridad antideslizantes o protección auditiva, reducirán las lesiones personales.
- c. **Evite arranques accidentales. Asegúrese que el interruptor esté en la posición de OFF (apagado) antes de conectar la fuente de energía y/o el bloque de baterías, recoger la herramienta o transportarla.** Transportar herramientas eléctricas con el dedo en el interruptor o energizar herramientas eléctricas con el interruptor encendido, invita a accidentes.
- d. **Retire cualquier llave de ajuste antes de encender la herramienta eléctrica.** Una llave que se haya dejado fijada a una parte giratoria de la herramienta eléctrica puede dar como resultado una lesión personal.
- e. **No extienda el cuerpo en exceso. Mantenga su posición de**

pie y su equilibrio en todo momento. Esto permite un mejor control de la herramienta eléctrica en situaciones inesperadas.

- f. **Vístase correctamente. No use ropa suelta o joyas. Mantenga su cabello, ropa y guantes alejados de las piezas móviles.** La ropa suelta, las joyas o el cabello largo pueden atascarse en las partes móviles.
- g. **Si se suministran dispositivos para la conexión de instalaciones de extracción y colección de polvo, asegúrese que estén conectadas y que se usen correctamente.** El uso de la recogida de polvo puede reducir los peligros asociados al polvo.

4) Uso y cuidado de la herramienta eléctrica

- a. **No fuerce la herramienta eléctrica. Use la herramienta eléctrica para su aplicación.** La herramienta eléctrica correcta hará mejor y más seguro el trabajo a la velocidad para la que ha sido diseñada.
- b. **NO use la herramienta eléctrica si el interruptor no lo enciende y apaga.** Cualquier herramienta eléctrica que no pueda

ser controlada con el interruptor es peligrosa y debe repararse.

- c. **Desconecte el enchufe de la fuente de energía y/o del bloque de baterías de la herramienta eléctrica antes de hacer cualquier ajuste, cambiar accesorios o guardar la herramienta.** Tales medidas de seguridad preventivas reducen el riesgo de que la herramienta eléctrica se encienda accidentalmente.
- d. **Guarde las herramientas eléctricas inactivas fuera del alcance de los niños y no permita el uso de la herramienta eléctrica por parte de personas que no estén familiarizadas con esta o con sus instrucciones.** Las herramientas eléctricas son peligrosas en manos de usuarios sin capacitación.
- e. **Realice un mantenimiento a las herramientas eléctricas. Verifique si hay una mala alineación o si hay una traba de las partes móviles, ruptura de partes y cualquier otro problemas que pueda afectar la operación de las herramientas eléctricas.** Si se daña, repare la herramienta eléctrica antes de usarla. Muchos accidentes son

causados por herramientas eléctricas con mal mantenimiento.

- f. **Conserve limpias y afiladas las herramientas de corte.** Las herramientas de corte con un mantenimiento adecuado son menos propensas a trabarse y son más fáciles de controlar.
- g. **Use la herramienta eléctrica y cualquier accesorio en conformidad con estas instrucciones, tomando en cuenta las condiciones del trabajo y la tarea a realizar.** El uso de la herramienta eléctrica para operaciones distintas de las previstas, podría dar como resultado una situación peligrosa.

5) Uso y cuidado de la herramienta de batería

- a. **Recargar solo con el cargador especificado por el fabricante.** Un cargador adecuado para un tipo de paquete de batería podría crear un riesgo de incendio si se usa con otro paquete de batería distinto.
- b. **Use herramientas eléctricas solo con los paquetes de batería específicamente designados.** El uso de cualquier otro paquete de batería puede generar riesgo de lesiones e

incendio.

- c. **Cuando el paquete de batería no esté en uso, manténgalo alejado de otros objetos metálicos como clips, monedas, llaves, clavos, tornillos u otros objetos pequeños de metal, que puedan hacer una conexión entre una terminal y otra.** Un cortocircuito en las terminales de la batería podría causar quemaduras o incendios.
- d. **En condiciones extremas, el líquido podría ser eyectado de la batería; en ese caso, evite el contacto.** Si hay contacto accidental, enjuague con agua. Si el líquido entrara en los ojos, busque ayuda médica. El líquido eyectado de la batería puede causar irritación o quemaduras.

6) Servicio

- a. **Haga reparar su herramienta eléctrica con un reparador calificado, utilizando solamente piezas de repuesto idénticas.** Esto asegurará que se mantenga la seguridad de la herramienta eléctrica.

ADVERTENCIAS DE SEGURIDAD DE LA MOTOSIERRA

- **Mantenga todas las partes del**

- cuerpo alejadas de la cadena de aserrado cuando esté en funcionamiento. Antes de arrancar la motosierra, asegúrese que no esté en contacto con nada.** Un momento de descuido mientras opera la motosierra, puede hacer que la cadena de aserrado se enrede con su ropa o su cuerpo.
- **Siempre sostenga la motosierra con su mano derecha en el asa posterior y su mano izquierda en el asa delantera.** Sostener la motosierra con las manos opuestas aumenta el riesgo de lesión personal y nunca debe hacerse. NOTA: Para las motosierras diseñadas con la barra guía del lado izquierdo, se tiene que revertir la posición de las manos según sea “mano izquierda” o “mano derecha”.
 - **Sostenga la herramienta eléctrica solamente mediante las superficies aisladas de agarre porque la motosierra puede entrar en contacto con cableado oculto.** Las cadenas de la sierra que entran en contacto con un cable "vivo" o cargado, pueden hacer que las partes metálicas expuestas de la herramienta eléctrica se carguen y darle al operador una descarga eléctrica.
 - **Use gafas de seguridad y protección auditiva. Se recomienda usar equipos adicionales para la cabeza, las manos, las piernas y los pies.** Una vestimenta protectora adecuada reducirá las lesiones personales causadas por escombros que vuelen o contacto accidental con la cadena de la sierra.
 - **No opere la motosierra trepado encima de un árbol.** La operación de la motosierra mientras está trepado encima de un árbol puede dar como resultado lesiones personales.
 - **Siempre mantenga su posición de pie y opere la motosierra sólo cuando esté sobre una superficie fija, segura y nivelada.** Superficies resbalosas o inestables, como escaleras de mano, pueden causar una pérdida de equilibrio o control de la motosierra.
 - **Cuando corte una rama que esté bajo tensión, esté alerta por si salta y vuelve a su lugar.** Cuando la tensión de las fibras de madera se libera, la rama que salta y vuelve a su lugar puede golpear al operador

y/o lanzar la motosierra fuera de control.

- **Use una precaución extrema cuando corte maleza y plántones.** El material más delgado puede atrapar la cadena de la sierra y saltar hacia usted o hacer que pierda su equilibrio.
- **Transporte la motosierra por el asa delantera con la motosierra apagado y alejada de su cuerpo.** Cuando transporte o guarde la motosierra, siempre inserte la cubierta de la barra de la cadena. Un manejo adecuado de la motosierra reducirá la probabilidad de contacto accidental con la cadena de la sierra en movimiento.
- **Siga las instrucciones de lubricación, tensado de la cadena y cambio de accesorios.** Una cadena mal tensada o mal lubricada puede romperse o aumentar la posibilidad de retorno.
- **Mantenga las asas secas, limpias y sin aceite o grasa.** Las asas grasosas son resbalosas y causan la pérdida de control.
- **Úsela solamente para cortar madera. No use la motosierra para otros propósitos.** Por ejemplo: no use la motosierra para cortar plástico, materiales

de albañilería u otros materiales de construcción que no sean de madera. El uso de la motosierra para operaciones distintas de las previstas, podría provocar una situación peligrosa.

CAUSAS Y PREVENCIÓN DEL CONTRAGOLPE POR PARTE DEL OPERADOR

Puede ocurrir contragolpe cuando la punta de la barra guía toca un objeto o cuando la madera se cierra y aprisiona la cadena en el corte.

El contacto con la punta en algunos casos puede causar una repentina reacción inversa, causando el retorno de la barra guía hacia arriba y hacia atrás en dirección del operador.

Si la cadena de aserrado queda aprisionada sobre la parte superior de la barra guía, esta podría empujar la barra guía rápidamente hacia atrás en dirección del operador.

Cualquiera de estas reacciones podría hacerle perder el control de la sierra, lo que podría causar una lesión personal grave. No se fíe exclusivamente de los dispositivos de seguridad integrados en su sierra. Como usuario de una motosierra, debe tomar varias medidas para hacer que en sus trabajos de aserra-

do no ocurran accidentes o lesiones. El contragolpe es el resultado de un mal uso de la herramienta y/o de procedimientos o condiciones de operación incorrectos, los que pueden evitarse tomando las precauciones que se indican a continuación:

- **Mantenga un agarre firme, con los dedos pulgares y los demás dedos formando un círculo alrededor de las asas de la motosierra, con ambas manos en la sierra, y coloque su cuerpo y brazos de tal manera que pueda resistir las fuerzas del contragolpe.** Las fuerzas del rebote puede controlarlas el operador, si se toman las precauciones correctas. No suelte la motosierra.
- **No se estire demasiado con tal de alcanzar, Ni corte por encima de la altura de su hombro.** Esto ayuda a prevenir un contacto accidental con la punta y permite un mejor control de la motosierra en situaciones inesperadas.
- **Sólo use las barras y cadenas de repuesto que especifique el fabricante.** Un reemplazo incorrecto de las barras y cadenas puede causar la ruptura de la cadena y/o un contragolpe.

- **Siga las instrucciones de afilado y mantenimiento del fabricante para la cadena de aserrado.** Disminuir la altura del calibrador de profundidad puede causar mayor contragolpe.

REDUCCIÓN DE LA VIBRACIÓN Y EL RUIDO

Para reducir el impacto de las emisiones de ruido y vibración, limite el tiempo de funcionamiento, utilice modos de funcionamiento de poca vibración y poco ruido y use equipos de protección personal.

Tenga en cuenta los siguientes aspectos para minimizar los riesgos de exposición a la vibración y al ruido:

- Utilice el producto únicamente según lo previsto en su diseño y según estas instrucciones.
- Asegúrese de que el producto esté en buenas condiciones y reciba el mantenimiento correcto.
- Utilice los accesorios correctos para el producto y asegúrese de que estén en buenas condiciones.
- Mantenga un agarre firme de las asas y de la superficie de agarre.
- Realice el mantenimiento de este producto de acuerdo con estas instrucciones y manténgalo bien

lubricado (cuando corresponda).

- Planifique su horario de trabajo para distribuir cualquier uso de la herramienta a alta vibración a lo largo de un período de tiempo más largo.
- El uso prolongado del producto expone al usuario a vibraciones que pueden causar una serie de afecciones conocidas de conjunto como síndrome de vibración mano-brazo (SVMB); por ejemplo, los dedos se ponen blancos; así como enfermedades específicas como el síndrome del túnel carpiano.
- Para reducir este riesgo al usar el producto, use siempre guantes protectores y mantenga las manos calientes.
- Los síntomas del SVMB incluyen cualquier combinación de lo siguiente: Hormigueo y entumecimiento de los dedos; cierta pérdida de sensibilidad; pérdida de fuerza en las manos; los dedos se vuelven blancos (blanqueamiento) y se vuelven rojos y dolorosos al recuperarse (particularmente cuando hay frío y humedad, y probablemente sólo en las puntas al principio).

EMERGENCIA

Familiarícese con el uso de este producto mediante este manual de instrucciones. Memorice las instrucciones de seguridad y sígalas al pie de la letra. Esto ayudará a prevenir riesgos y peligros.

- Siempre esté alerta cuando utilice este producto para que pueda reconocer y manejar los riesgos a tiempo. Una intervención rápida puede prevenir lesiones graves y daños a la propiedad.
- Apague el producto y retire el paquete de batería si hay cualquier mal funcionamiento. Asegúrese de que el producto sea revisado por un profesional calificado y que sea reparado, si es necesario, antes de volver a operarlo.

RIESGOS RESIDUALES

Incluso si usa este producto de acuerdo con todos los requisitos de seguridad, siempre existen posibles riesgos de lesiones y daños. La estructura y el diseño de este producto pueden dar lugar a los siguientes peligros:

- Problemas de salud debidos a vibraciones si el producto se usa durante un largo período de tiempo o no recibe el correcto

manejo y mantenimiento.

- Lesiones y daños a la propiedad debido a accesorios rotos o al impacto repentino de objetos ocultos durante el uso.
- Peligro de lesión y daño a la propiedad causados por objetos que salen despedidos.
- El uso prolongado de este producto expone al operador a vibraciones y puede provocar la enfermedad del “dedo blanco”. Para reducir el riesgo, use guantes y mantenga las manos calientes. Si aparece alguno de los síntomas del «dedo blanco», consulte a un médico inmediatamente. Los síntomas del «dedo blanco» son: entumecimiento, pérdida de sensibilidad, hormigueo, pinchazos, dolor, pérdida de fuerza, cambios en el color o el estado de la piel. Estos síntomas normalmente aparecen en los dedos, las manos o las muñecas. El riesgo aumenta a bajas temperaturas.

con implantes médicos activos o pasivos!

Para reducir el riesgo de lesiones graves o mortales, recomendamos a las personas con implantes médicos que consulten a su médico y al fabricante del implante antes de operar este producto.



¡ADVERTENCIA!

¡Este producto genera un campo electromagnético durante el funcionamiento! ¡Este campo puede interferir en algunas circunstancias

CONOZCA SU UNIDAD

APLICACIONES

Modelo: CSX2-M

Como motosierra:

Desrame, tala, tala de árboles y eliminación de raíces de contrafuerte.

1	Paquete de batería
2	Carcasa del motor
3	Mango auxiliar
4	Mango
5	Gatillo del interruptor
6	Bloqueo de gatillo
7	Cubierta decorativa
8	Tapa del tanque de aceite
9	Protección con freno de la cadena
10	Barra guía
11	Cadena de sierra
12	Cubierta de la barra guía
13	Perilla tensionadora
14	Perilla de la cubierta lateral
15	Cubierta lateral



NOTA:

El CSX2-M-0 no incluye el cargador ni el paquete de batería.

ESPECIFICACIONES*

Modelo	CSX2-M	
Tensión nominal	18V c.c.	
Velocidad sin carga	4000rpm	
Barra y cadena recomendadas	10pulgadas	
Longitud de la barra guía	10 pulgadas	
Capacidad de corte	8.7 pulgadas	
Velocidad de la cadena	8m/s	
Capacidad de aceite	5.07 onzas	
Peso (sin batería, cadena de sierra y barra guía)	7.05 lb	
Modelo del paquete de batería	B25X2	B50X2
Tensión nominal	18V	18V
Capacidad nominal	2.5Ah	5.0Ah
Peso	336 gramos	649 gramos
Modelo del cargador	CHX2	
Entrada nominal	100-240 V ~ 50 / 60Hz	
Salida nominal	21 V, 2000 mA	
Tiempo de carga (con batería de 2.5 Ah)	85 mins	
Tiempo de carga (con batería de 5.0 Ah)	130 mins	
Clase de protección (para cargador)		
Peso	340 gramos	

Modelo	CSX2-M-0
Tensión nominal	18V c.c.
Velocidad sin carga	4000rpm
Longitud de la barra guía	10 pulgadas
Velocidad de la cadena	8m/s
Capacidad de aceite	5.07 onzas
Peso (sin batería, cadena de sierra y barra guía)	7.05 lb
Modelo del paquete de batería	No incluido
Modelo de cargador	No incluido

ENSAMBLAJE

1. Desempaque todas las piezas y colóquelas en una superficie llana y estable:
2. Retire todos los materiales de embalaje y dispositivos de envío, si corresponde.
3. El alcance de la entrega varía en función del país y la variante adquirida:
Modelo de CSX2-M-0
 - Motosierra x1
 - Manual de instrucciones x1
 - Barra guía x1
 - Cubierta de la barra guía x1
 - Cadena de sierra x1
4. Si ve que faltan partes o se ve dañado, no use el producto y póngase en contacto con el distribuidor. El uso de un producto incompleto o dañado representa un peligro para las personas y la propiedad.
5. Asegúrese de que tiene todos los accesorios y herramientas necesarios para el ensamblaje y la operación. Esto también incluye el uso de equipos de protección personal adecuados.



NOTA:

El CSX2-M incluye el cargador y el paquete de la batería. El CSX2-M-0 no incluye el cargador ni el paquete de la batería.



ADVERTENCIA:



Póngase guantes de protección para este trabajo de ensamblaje y coloque siempre el producto sobre una superficie plana y estable cuando lo esté montando.



Siga las instrucciones de ensamblaje paso a paso y use las imágenes que se indican como guía visual para ensamblar fácilmente el producto.

¡No inserte la batería antes de que la herramienta eléctrica esté completamente ensamblada o ajustada!

INSTALACIÓN DE LA CADENA DE SIERRA Y LA BARRA GUÍA



ADVERTENCIA:

Asegúrese de quitar el paquete de baterías de la motosierra antes de colocar la espada y la cadena.

1. Gire la perilla de la cubierta lateral en sentido contrario a las agujas del reloj y retire la cubierta lateral (Fig. 2).

2. Enrolle la cadena de la sierra en la ranura alrededor de la barra guía. Asegúrese de que la cadena de la sierra esté en la dirección de marcha correcta comparando la cadena de la sierra con el símbolo de rotación (Fig. 3).
3. Monte la cadena y la barra guía en el producto. Es posible que deba tensar preliminarmente la cadena con la perilla de tensión para colocar la cadena alrededor de la rueda dentada de transmisión.
4. Tire de la cadena alrededor de la barra guía con la mano enguantada o con herramientas auxiliares para asegurarse de que funcione sin problemas (Fig. 4).



NOTA:

Todavía se recomienda verificar la suavidad de la cadena de la sierra antes de la operación, incluso después de usarla durante un período de tiempo.

6. Vuelva a colocar la cubierta lateral. Mientras tanto, evite que la cadena de la sierra y la barra guía se salgan.
7. Apriete ligeramente la cubierta lateral con la perilla de la cubierta lateral. No apriete demasiado para un mayor ajuste (Fig.3).
8. Ajuste la tensión con la perilla tensora hasta que pueda elevarse aprox. 2–3 mm desde la barra guía en el centro (Fig.3).
9. Apriete bien la cubierta lateral con la tuerca de la cubierta lateral (Fig.3).



NOTA:

Después de un breve período de uso, deje que la cadena se enfríe, retire la batería y vuelva a comprobar la tensión.

LLENADO DEL ACEITE DE LA BARRA Y CADENA



ADVERTENCIA:

El aceite para barra y cadena evita el desgaste prematuro. Nunca opere la motosierra si no se ve aceite. Verifique el nivel de aceite con frecuencia y llénelo según sea necesario.



NOTA:

Se requiere aceite para barra y cadena para lubricar correctamente la barra guía y la cadena de la sierra. La motosierra está equipada con un engrasador automático que deposita aceite en la espada y la cadena cuando están en marcha, manteniéndolas correctamente lubricadas.

1. Coloque la motosierra de lado sobre una superficie firme y plana.

2. Limpie cualquier residuo del área de la tapa.
3. Retire el tapón del depósito de aceite (Fig.5).
4. Con cuidado, vierta el aceite para barra y cadena en el tanque.
5. Vuelva a colocar la tapa y asegúrese de que el aceite esté visible en el tanque.

INSTALAR/RETIRAR EL PAQUETE DE BATERÍA

Para instalar:

Deslice la batería en el puerto de acoplamiento de la batería en el producto hasta que haga clic (Fig. 6). Vuelva a comprobar la conexión entre ellos.

Para retirar:

Presione el botón de desbloqueo en el paquete de baterías y deslice el paquete de baterías hacia afuera.

OPERACIÓN



ADVERTENCIA:

Para evitar lesiones personales graves, no opere la motosierra sin la barra guía, la cadena de la sierra y la cubierta lateral correctamente ensambladas. No intente operar la motosierra si alguna pieza está dañada o falta.

PRUEBA DEL FRENO DE CADENA

Esta motosierra está diseñada con una función de freno de cadena en la protección, que detiene tanto el motor como el movimiento de la cadena cuando se produce un contragolpe. El freno de la cadena se puede activar empujando el protector hacia adelante mientras la sierra gira hacia atrás durante el contragolpe. Asegúrese de que el freno de la cadena pueda funcionar normalmente sin ningún mal funcionamiento antes de usar la motosierra.

Para comprobar el freno de cadena (Fig.7):

- Coloque la sierra sobre una superficie firme y plana.
- Ponga en marcha la sierra brevemente.
- Empuje la protección hacia adelante para activar la función de freno de cadena. Un freno de cadena que funcione correctamente detiene el motor y la cadena de sierra inmediatamente. Si el motor y la cadena de la sierra no se detienen inmediatamente, haga revisar el freno de la cadena en un lugar de servicio aprobado.
- Suelte el gatillo interruptor.
- Regrese a la posición de operación.

CEBADO DEL ACEITADOR



ADVERTENCIA:

Mantenga las manos, la ropa y el cabello alejados de la rueda dentada de transmisión cuando cebe la aceitera.



NOTA:

Cebe la aceitera antes del primer uso o después de un almacenamiento prolongado.

Es esencial llenar con aceite antes de usar. Operar la motosierra sin barra y aceite de cadena resultará en daños a la motosierra. La cadena se lubrica automáticamente con aceite durante el funcionamiento a través de la salida de aceite.

1. Inserte la batería.
2. Haga funcionar la motosierra durante unos dos minutos.
3. Retire el paquete de batería.
4. Retire la cubierta lateral.
5. Compruebe si hay aceite en la barra.

TENSIÓN DE LA CADENA DE LA SIERRA



NOTA:

Compruebe la tensión entre la cadena de la sierra y la barra guía antes de cada arranque.



ADVERTENCIA:

Tense la cadena de la sierra únicamente cuando esté fría. Una cadena caliente puede contraerse y dañar la barra guía o la cadena a medida que se enfría.

1. No es necesario quitar la cubierta lateral para ajustar la tensión de la cadena de la sierra. Simplemente afloje ligeramente la tuerca de la cubierta lateral para desbloquear la barra guía y la cadena de la sierra que se bloquearon por completo durante el funcionamiento.
2. Gire la perilla tensionadora hasta que la cadena alcance un estado de tensión adecuado. La cadena de sierra está correctamente tensada cuando se puede levantar aprox. 2–3 mm de la barra de la cadena en el centro.
3. Apriete la tuerca de la cubierta lateral después del ajuste.



NOTA:

Si la cadena aún está floja cuando la sierra está a máxima tensión, reemplace la cadena.

APAGAR Y ENCENDER

Asegúrese de que el protector esté en la posición de operación. Si no, gírela manualmente.

Mantenga presionado el bloqueo del gatillo al principio, luego apriete el gatillo del interruptor para iniciar el producto. Simplemente suelte el bloqueo del gatillo una vez que arranque la motosierra (Fig. 8)

Para apagar la motosierra, suelte el gatillo del interruptor.

PROTECCIÓN CONTRA SOBRECALENTAMIENTO DE MOTOSIERRA

Cuando la temperatura de la PCB supera los 248 °F (120 °C) durante el funcionamiento, la motosierra se apagará automáticamente. Espere a que se enfríe durante unos cinco minutos y luego reinicie el producto.

TÉCNICAS GENERALES DE CORTE



NOTA:

Se recomienda que el usuario novato, como práctica mínima, corte troncos en un caballete o receptáculo de aserrar.

- Puede primero las ramas más bajas del árbol. Al hacerlo así, es más fácil que las ramas cortadas caigan al suelo.
- Al final del corte, el peso de la podadora aumenta repentinamente para el usuario, ya que ésta ya no está soportada por una rama. Existe el riesgo de perder el control de la sierra, así que asegúrese de estar alerta durante toda la operación de aserrado.
- Sólo tire para sacar la podadora de un corte cuando esté funcionando. Al hacerlo así, evitará que la cadena se atasque en la madera.
- NO asierre con la punta de la barra de la cadena. NO asierre penetrando en las formaciones de la rama (donde el árbol expande sus ramas hacia afuera). Esto dificultará la habilidad que tiene el árbol de curarse.
- Para podar ramas más pequeñas, coloque el tope de la podadora en la rama. Esto evitará movimientos indeseados de la sierra al inicio del corte. Aplicando una leve presión, guíe la sierra a través de la rama, de arriba hacia

abajo.

- Para podar ramas más grandes, realice primero un corte de mitigación. Asierre a través de 1/3 del diámetro de la rama, desde la parte inferior hacia la superior, usando el lado superior de la barra de la cadena. Luego puede de arriba a abajo para los 2/3 restantes, usando el lado inferior de la barra de la cadena. Puede las ramas más largas en secciones para mantener el control sobre el lugar del impacto.

TALA DE ÁRBOLES

Cuando se corta de forma transversal/tronzan y talan árboles, las operaciones las realizan dos o más personas al mismo tiempo; las operaciones de tala deben separarse de las de corte transversal/tronzado, en una distancia mínima del doble de la altura del árbol que se tala.

No se deben talar los árboles de manera que se pueda poner en peligro a alguna persona, golpear algún servicio público o causar algún daño a la propiedad. Si el árbol hace contacto con cualquier línea de servicio público, se debe notificar inmediatamente a la compañía.

El operador de la motosierra debe colocarse en la parte alta del terreno, ya que es probable que el árbol ruede o se deslice colina abajo luego de la tala.

Se debe planificar una ruta de escape, la cual se debe despejar según sea necesario antes de comenzar a aserrar. La ruta de escape debe extenderse hacia atrás y en forma diagonal hasta la parte posterior de la línea de caída esperada del árbol (Fig. 9).

Antes de iniciar la tala, tome en cuenta la inclinación natural del árbol, la ubicación de las ramas más grandes y la dirección del viento para juzgar hacia qué dirección caerá el árbol.

Retire del árbol la tierra, las piedras, la corteza suelta, los clavos, las grapas y los alambres.

CORTE DE MUESCAS

Realice la muesca 1/3 del diámetro del árbol, perpendicular a la dirección de la caída (Figura 10). Realice primero el corte de muesca horizontal inferior. Esto ayudará a evitar aprisionar la cadena de aserrado o la barra guía cuando se realice la segunda muesca.

CORTE DE TALA

Realice el corte de tala al menos 2 pulgadas (50 mm) más alto que el corte de muesca horizontal (Fig. 10) Mantenga el corte de tala paralelo al corte de muesca horizontal. Realice el corte de tala para que quede madera suficiente que actúe de bisagra. La madera de bisagra evita que el árbol se tuerza y caiga en la dirección equivocada. No corte a través de la bisagra.

A medida que la tala se acerca a la bisagra, el árbol debería comenzar a caerse. Si hay alguna posibilidad de que el árbol no vaya a caer en la dirección deseada o que se tuerza y trabe la cadena de la sierra, deje de cortar antes de completar el corte de tala y se cuñas de madera, plástico o aluminio para abrir el corte y dejar caer el árbol en la dirección deseada.

Cuando el árbol comience a caer, retire la motosierra del corte, pare el motor, coloque la motosierra en el suelo y luego use la ruta de escape planeada. Esté alerta por las ramas aéreas y cuide su equilibrio.

DESRAEME DE UN ÁRBOL

El desrame consiste en eliminar las ramas de un árbol caído. Cuando realice al desrame, deje las ramas inferiores más largas para que soporten el árbol por encima del suelo. Retire las ramas pequeñas de un corte (Figura 11). Las ramas bajo tensión deben cortarse de abajo hacia arriba para evitar trabar la motosierra.

CORTE TRANSVERSAL/TRONZADO DE UN TRONCO

El corte transversal/tronzado es cortar un tronco en longitudes. Es importante asegurarse que su posición de pie esté firme y su peso uniformemente distribuidos en ambos pies. En lo posible, el tronco debe estar elevado y soportado con el uso de ramas, troncos o calzas. Siga las instrucciones simples para un aserrado fácil.

Cuando el tronco está soportado a lo largo de toda su longitud (Fig. 12), se corta desde la parte superior (tronzado desde arriba).

Cuando el tronco está soportado en un extremo, (Fig. 13) corte 1/3 del diámetro del lado inferior (tronzado desde abajo). Luego realice el corte final tronizando desde arriba para llegar hasta el primer corte.

Cuando el tronco está soportado en ambos extremos, (Fig. 14) corte 1/3 del diámetro desde arriba (tronzado desde arriba). Luego realice el corte final tronizando desde abajo los 2/3 inferiores para llegar hasta el primer corte.

Cuando tronce sobre una colina, siempre debe pararse en el lado de la parte alta del tronco (Figura 15). Para mantener el control cuando "corte a través" de un tronco, suelte la presión del corte cerca del final del mismo sin relajar su agarre de las asas de la motosierra.

No deje que la cadena haga contacto con el suelo. Luego de terminar el corte, espere a que la cadena de la sierra se detenga antes de que mueva la motosierra. Siempre detenga el motor antes de pasar de un árbol a otro.

CARGA DEL PAQUETE DE BATERÍA



ADVERTENCIA:

Este paquete de batería de iones de litio se envía parcialmente cargado. Cargue por completo el paquete de batería antes de usarlo por primera vez.



NOTA:



Cargue las baterías a una temperatura ambiente de 32 °F -104 °F (0 °C - 40 °C) y siempre guarde las baterías a una temperatura ambiente de 32 °F - 77 °F (0 °C - 25 °C).

1. Cargue el paquete de batería de iones de litio solo con el cargador indicado.
2. Conecte el cargador a una fuente de alimentación; el indicador luminoso del cargador se pondrá en rojo.
3. Alinee las ranuras levantadas del paquete de batería con la ranura en el cargador (Fig. 16).
4. Inserte el paquete de batería en el cargador, la luz indicadora del cargador se enciende en verde y parpadea.
5. El cargador comunica con el paquete de batería para evaluar su condición.
6. Está completamente cargado cuando se encienden las cuatro luces de la batería. Desconecte el cargador del suministro de energía. Retire el paquete de batería del cargador.

INDICADOR DE CARGA

Presione el botón de luz de la batería para comprobar si necesita cargarse (Fig.17).

Luces			Estatus
Iluminado	Apagado	Parpadeo	
			La batería está al máximo de capacidad.
			La batería está al 75% de capacidad.
			La batería está al 50% de capacidad y necesita cargarse.

	<p>La batería está al 25% de capacidad y necesita cargarse pronto.</p>
	<p>La batería está a menos de 5% de capacidad y necesita cargarse pronto.</p>



ADVERTENCIA:

Pueden ocurrir averías cuando las cuatro luces parpadean por turnos.

PROTECCIÓN CONTRA EL SOBRECALENTAMIENTO

Cuando la herramienta/batería se sobrecalienta, la herramienta se detiene automáticamente. En esta situación, deje que la herramienta eléctrica/batería se enfríe antes de volver a encenderla.

PROTECCIÓN CONTRA SOBRECARGA

Cuando la capacidad de la batería no es suficiente, la herramienta se detiene automáticamente. En este caso, retire la batería de la herramienta y cárguela.

MANTENIMIENTO



ADVERTENCIA:

Si no se identifican ni reemplazan las piezas dañadas o desgastadas, se pueden producir lesiones personales graves. Inspeccione la motosierra periódicamente. Una inspección frecuente

es el primer paso para un correcto mantenimiento.

Siga las pautas a continuación para maximizar la seguridad y la satisfacción. Reemplace inmediatamente cualquier pieza dañada o desgastada en exceso.



ADVERTENCIA:

¡Siempre apague el producto, desconecte el paquete de batería de la unidad y deje que el producto se enfríe antes de efectuar trabajos de mantenimiento y limpieza!

Siempre use guantes para reducir el riesgo de lesiones cuando opere esta unidad.

¡Realice los trabajos de limpieza y mantenimiento conforme a estas instrucciones únicamente! Cualquier otro trabajo debe ser realizado por un especialista cualificado.

REEMPLAZO DE LA CADENA DE SIERRA Y LA BARRA GUÍA

Cambie una barra guía desgastada/sierra de cadena se refiere a "INSTALACIÓN DE LA CADENA DE LA SIERRA Y LA BARRA GUÍA".

Utilice únicamente las piezas especificadas para los reemplazos.

AFILADO DE LA CADENA DE SIERRA

No afile la cadena de la sierra usted mismo a menos que tenga

experiencia haciéndolo. Se recomienda hacer afilar la sierra de pértiga por un servicio autorizado.

LIMPIEZA

- Retire el paquete de batería.
- Retire las virutas de madera y otros desechos del puerto de la batería. Limpie los contactos sucios con un paño suave y seco. La suciedad o el aceite pueden causar una mala conexión eléctrica, lo que resulta en una pérdida de energía.



ADVERTENCIA:

No hay piezas reparables por el usuario dentro del paquete de baterías. No lo desensamble.

- Después del uso, limpie los residuos de la cadena de la sierra y la barra guía. Limpie el cabezal de potencia con un paño limpio humedecido con una solución de jabón suave. Nunca use limpiadores fuertes o solventes.
- Siempre limpie las virutas de madera, el polvo de sierra y la suciedad de la ranura de la barra cuando reemplace la cadena de la sierra.
- Asegúrese de que el engranaje tensor de la cadena esté libre de virutas de madera y otros desechos.



NOTA:

Cuando limpie el cabezal motorizado de la motosierra, no lo sumerja en agua u otros líquidos.

los puntos de recogida previstos a tal efecto.

Consulte

con sus autoridades locales o con el distribuidor para asesorarse sobre el reciclaje.

TRANSPORTE

- Retire el paquete de batería de la motosierra.
- Instale la cubierta de la barra guía.
- Si lo desea, drene el aceite de la barra y la cadena para reducir la filtración.
- Transporte la sierra con la barra y la cadena orientadas hacia atrás del operador.
- Las herramientas pueden moverse durante el transporte. Asegúrese de que la herramienta esté segura y no pueda caerse o moverse en contacto con personas o propiedades.

ALMACENAMIENTO

- Retire el paquete de baterías de la motosierra.
- Limpie bien la motosierra como se describe anteriormente.
- Instale la cubierta de la barra guía y coloque una almohadilla absorbente debajo de la barra.
- Guarde en un lugar seco.
- Manténgase fuera del alcance de los niños o las mascotas.
- Recomendamos el uso del paquete original para guardar o tapar el producto con un paño o caja para protegerlo del polvo.



NOTA:

Para prolongar la vida útil de la batería, nunca guarde el paquete de la batería en una condición completamente descargada. Asegúrese que el paquete de la batería se cargue una vez al año o cuando el indicador LED muestre solo una luz.

ELIMINACIÓN

El producto residual no se debe eliminar con los residuos domésticos. Reciclelos en las instalaciones disponibles. Consulte a sus autoridades locales o al minorista para asesorarse sobre el reciclaje.



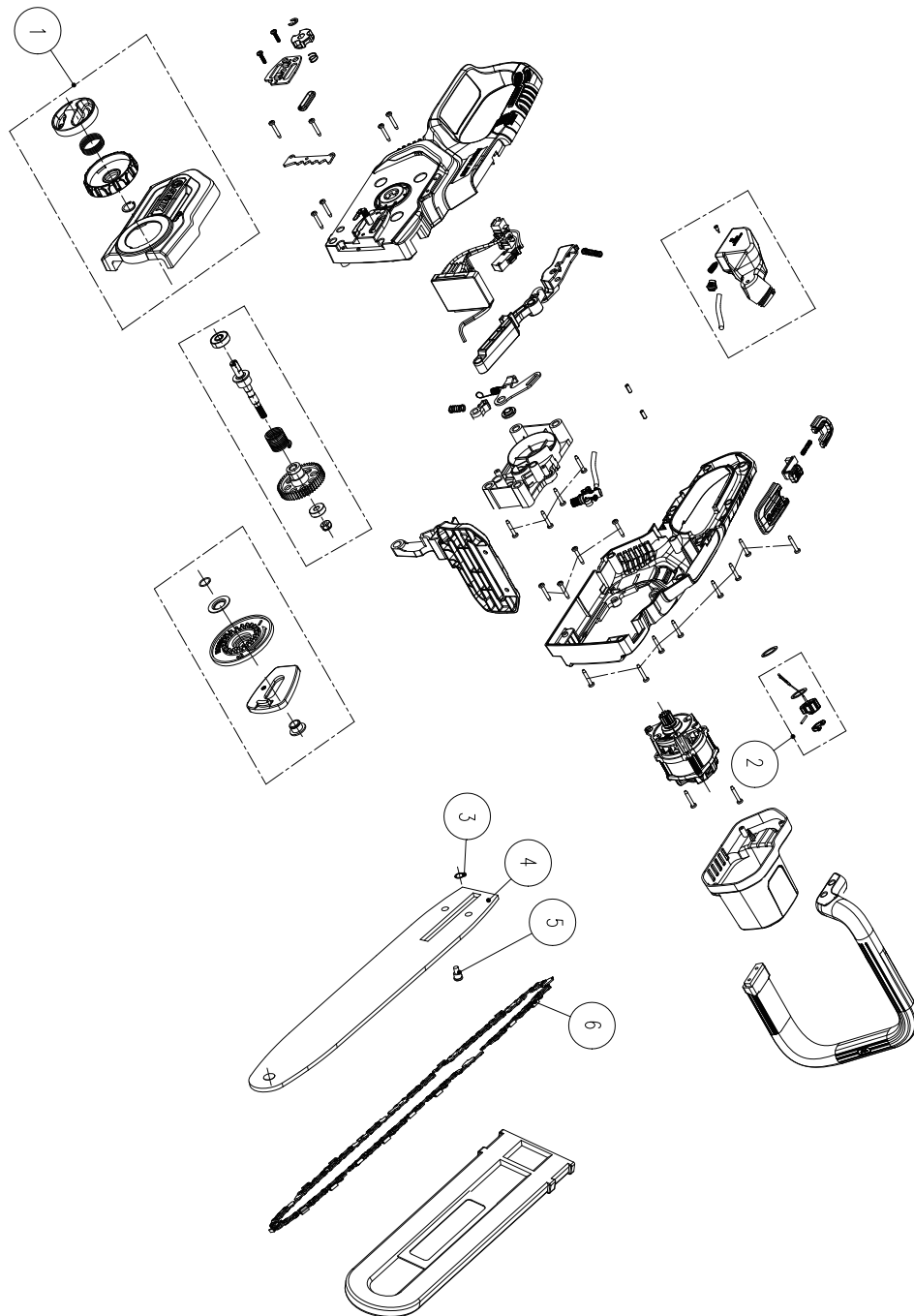
Los productos eléctricos no deben desecharse con los productos domésticos. Los productos eléctricos usados deben recogerse por separado y eliminarse en

SOLUCIÓN DE PROBLEMAS

Las sospechas de mal funcionamiento a menudo se deben a causas que el usuario puede corregir por sí mismo. Por tanto, use esta sección para verificar el producto. En la mayoría de los casos el problema se puede resolver rápidamente.

PROBLEMA	POSIBLE CAUSA	SOLUCIÓN
El motor no corre o corre intermitentemente	Freno de cadena activado	Retire la protección.
	Batería descargada	Recargue. Consulte "CARGA DEL PAQUETE DE BATERIAS" en este manual.
	Bloqueo del gatillo no abierto	Ver "ENCENDIDO/APAGADO" en este manual.
	Paquete de batería no insertado completamente	Limpie los residuos del puerto de la batería y los terminales con un paño limpio y seco o un cepillo no conductor.
	Escombros en la cubierta lateral	Retire el paquete de baterías, luego retire la cubierta lateral y limpie los desechos.
	Paquete de batería frío	Deje que la batería se caliente por encima de la temperatura mínima de funcionamiento de 32 °F (0 °C).
El paquete de batería no carga	La protección de temperatura excesiva/insuficiente del paquete de baterías está activada	Esto puede ocurrir cuando la sierra funciona continuamente o se expone a altas temperaturas ambientales. Deje que la batería alcance la temperatura aceptable antes de cargarla.
	Contactos sucios o dañados en la batería o el cargador	Inspeccione los contactos tanto en el paquete de baterías como en el cargador. Si es necesario, límpielo de acuerdo con las instrucciones de este manual. Vuelva a insertar el paquete de baterías en el cargador, asegurándose de que esté completamente asentado.
	El paquete de batería está al final de su vida útil	Todas las baterías tienen una vida limitada. Si el paquete de baterías tiene más de dos años o se ha recargado con frecuencia, puede ser hora de reemplazarlo. Reemplácelo únicamente con el paquete de baterías especificado para esta motosierra.
	Cargador defectuoso	Haga revisar la función en un lugar de servicio aprobado.
La motosierra no corta correctamente	Tensión de cadena insuficiente	Vuelva a ajustar el engranaje tensor.
	Cadena desafilada / desgastada	Afile o reemplace la cadena.
	Cadena instalada al revés	Consulte "INSTALACIÓN DE LA CADENA DE SIERRA Y LA BARRA GUIA".
	Cadena seca o excesivamente estirada	Compruebe el nivel de aceite. Consulte "LLENADO DE ACEITE".
El motor funciona, pero la cadena no gira	La cadena no engrana con la rueda dentada de transmisión	Vuelva a instalar la cadena, asegurándose de que los eslabones impulsores de la cadena estén completamente asentados en la rueda dentada.
El freno de cadena no se activa	Residuos que impiden el movimiento completo de la protección	Limpie los residuos del mecanismo de freno de cadena externo.
	Posible mal funcionamiento del freno de cadena	Comuníquese con una ubicación de servicio aprobada de inmediato.

PIEZAS



N.º	de pieza	Descripción	Cant.
1	199001000612	Cubierta lateral	1
2	199123000462	Ensamblaje de la tapa del tanque de combustible	1
3	207270100003	Anillo de sello de la placa de empuje	1
4	199140000081	Barra guía	1
5	8206-438201-00	Tornillo de tensión de la placa de empuje	1
6	8344-433201-0000000	Cadena de la sierra	1

GARANTÍA

GARANTÍA LIMITADA DE DOS AÑOS

Garantía limitada por 2 años en toda la serie Senix X2 de equipos para exteriores que funcionan con batería y cargador.

Garantía limitada de 2 años para todas las baterías Senix X2.*

Este producto Senix se garantiza DURANTE DOS AÑOS, a partir de la fecha original de compra en un comercio minorista, contra defectos de materiales o mano de obra en herramientas eléctricas y cargadores. El producto defectuoso se reparará gratuitamente.*

Este producto Senix se garantiza DURANTE DOS AÑOS, a partir de la fecha original de compra en un comercio minorista, contra defectos de materiales o mano de obra en baterías. El producto defectuoso se reparará gratuitamente.*

La presente garantía no cubre el desgaste normal de las partes y los componentes, como la cadena de corte, la línea o las cuchillas ni tampoco cubre esta garantía el costo de transporte del producto para garantía o servicio.

La garantía está sujeta a las siguientes condiciones:

- La garantía se aplica al comprador original en comercio minorista y no es transferible*
- Registro de garantía en www.senixtools.com
- La herramienta no se ha sometido a uso incorrecto, abuso, negligencia, alteración o modificación y no ha sido reparada fuera de un centro de servicio autorizado
- Solo se han utilizado accesorios originales de Senix con o en este producto
- La herramienta presenta un desgaste normal
- La herramienta no se ha utilizado con fines comerciales o profesionales
- La herramienta no se ha utilizado con fines de alquiler
- Esta garantía solo cubre defectos que ocurran bajo el uso normal y no cubre casos de mal funcionamiento, fallo o defecto que emanen de un uso incorrecto, abuso (incluyendo sobrecarga del producto, exposición al agua o la lluvia), accidentes, negligencia e instalación, mantenimiento o almacenamiento inadecuados.

Para localizar a su proveedor de servicios de Senix más cercano, llame gratis al 800-261-3981 o envíenos un correo electrónico a service@senixtools.com.

Limitaciones adicionales

Cualquier garantía implícita otorgada en virtud de las leyes estatales, incluidas las garantías de comerciabilidad o idoneidad para un propósito particular, se limita a tres años a partir de la fecha de compra para herramientas eléctricas y cargadores y siete años para baterías. El fabricante no asume ninguna responsabilidad por daños directos, indirectos, incidentales o consecuentes. Algunos estados y provincias no permiten limitaciones en cuanto a la duración de una garantía implícita o no permiten la exclusión o limitación de daños incidentales, por lo que es posible que las limitaciones y exclusiones anteriores no se apliquen a usted. Esta garantía le otorga derechos legales específicos, y usted también puede tener otros derechos que varían de un estado a otro o de una provincia a otra.

YAT USA no asume ninguna responsabilidad con respecto a la responsabilidad civil que emane de un uso abusivo o no conforme al uso y mantenimiento adecuados de la máquina, descritos en el manual del operador.

YAT USA no asume ninguna responsabilidad por daños directos, indirectos, incidentales o consecuentes.

Después de la compra, el fabricante recomienda el mantenimiento adecuado de la máquina y leer el manual del operador antes de utilizar la máquina.

*Se puede exigir un recibo de compra original como justificante de compra

Para acceder al servicio de atención al cliente, póngase en contacto con nosotros llamando al número gratuito 1-800-261-3981 o visitando Senixtools.com.

YAT USA, Inc. 6441 Hendry Rd. Suite A Charlotte, NC. 28269

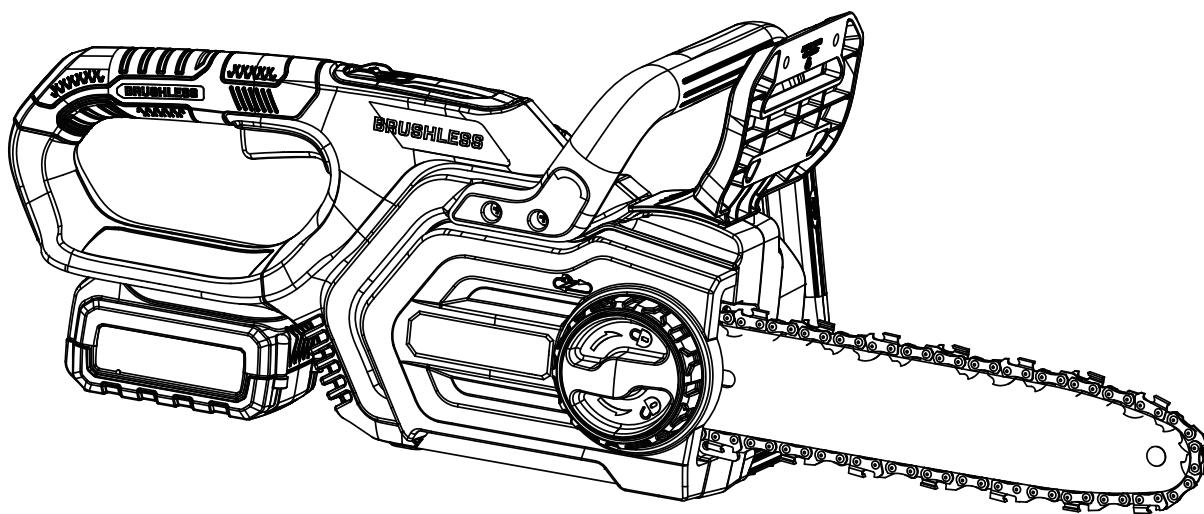


20 V MAX AU LITHIUM-ION TRONÇONNEUSE SANS FIL

Manuel d'instructions

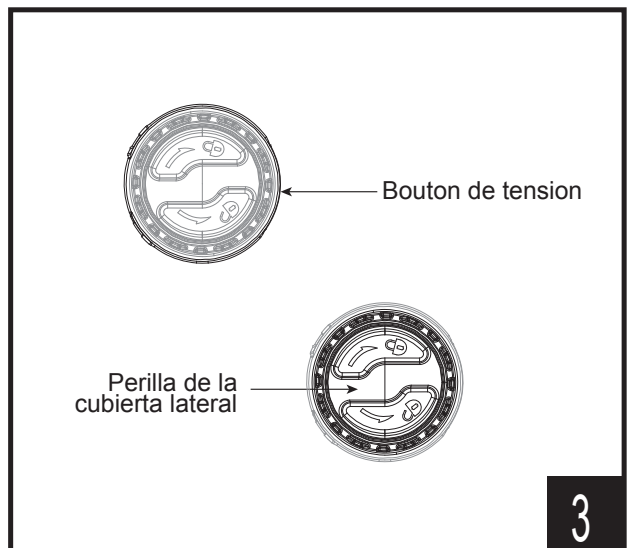
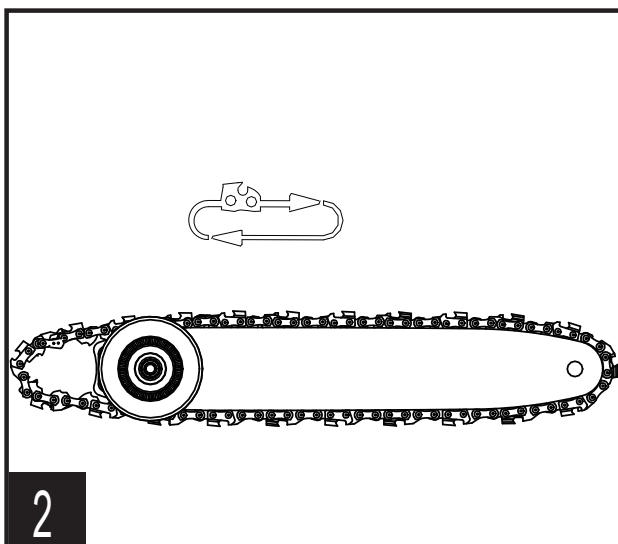
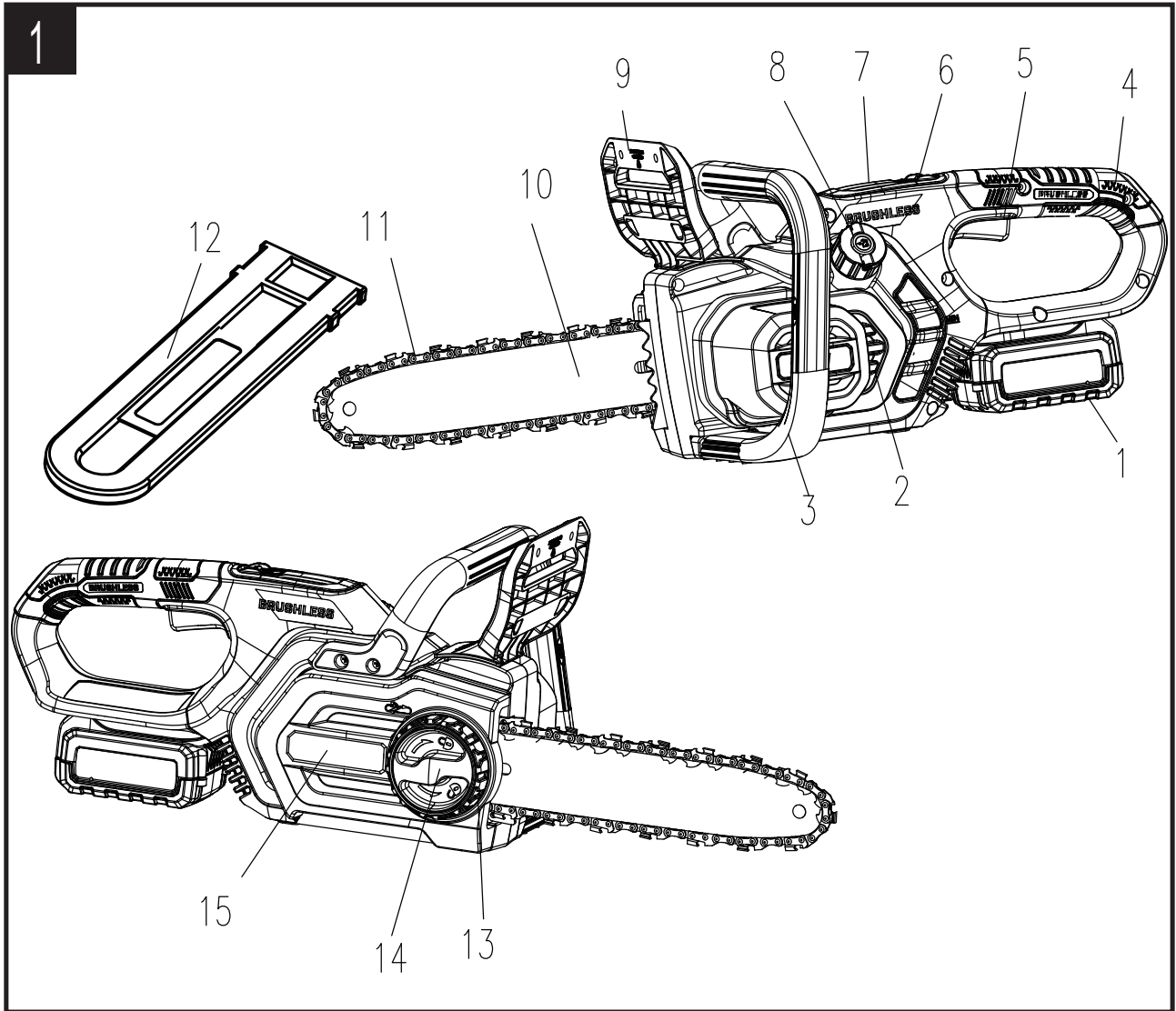
Modèle : CSX2-M

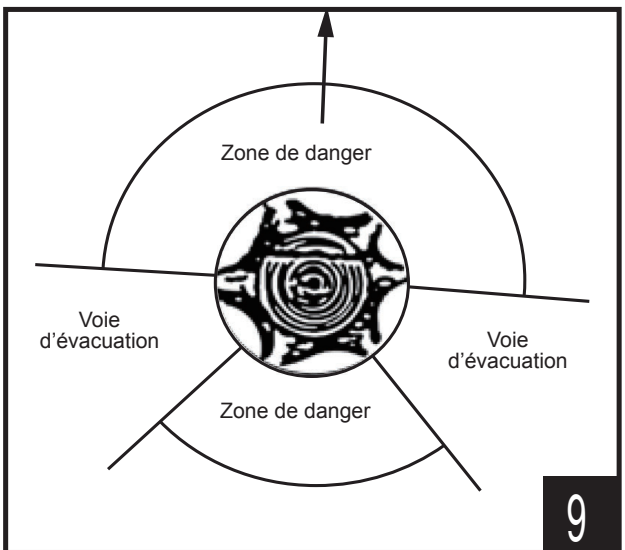
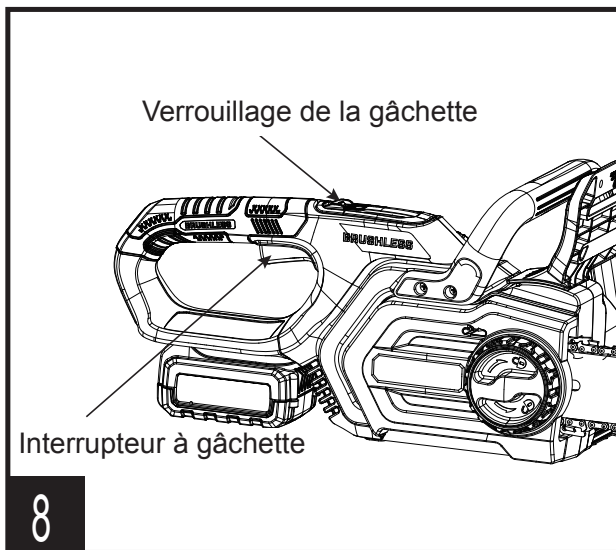
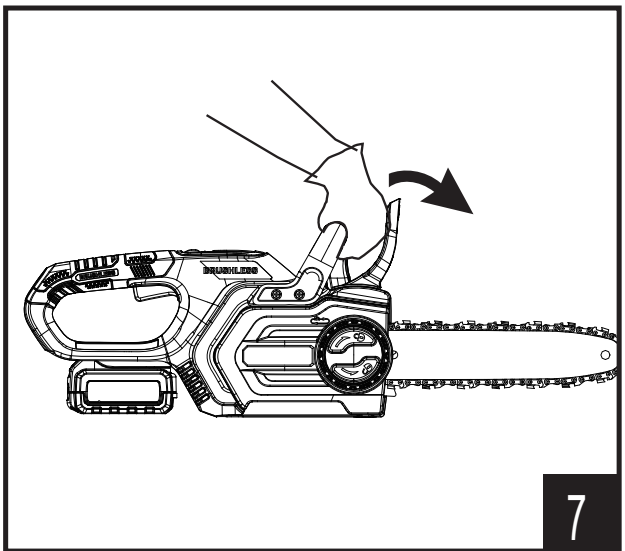
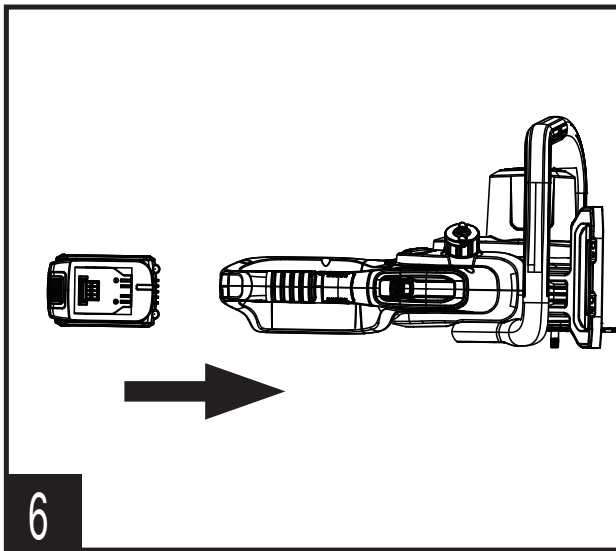
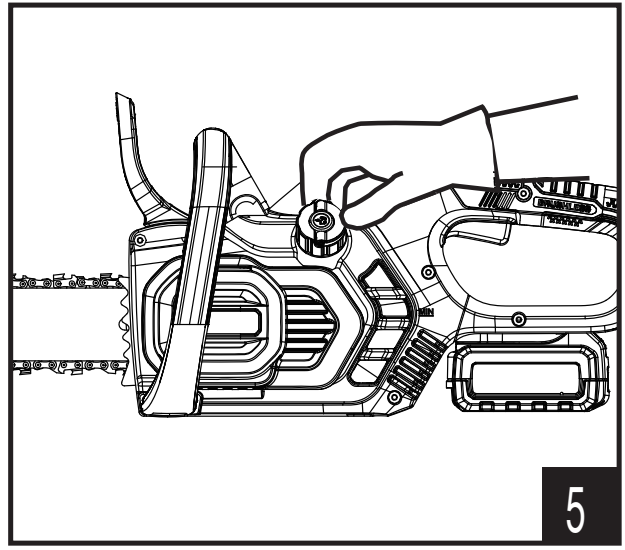
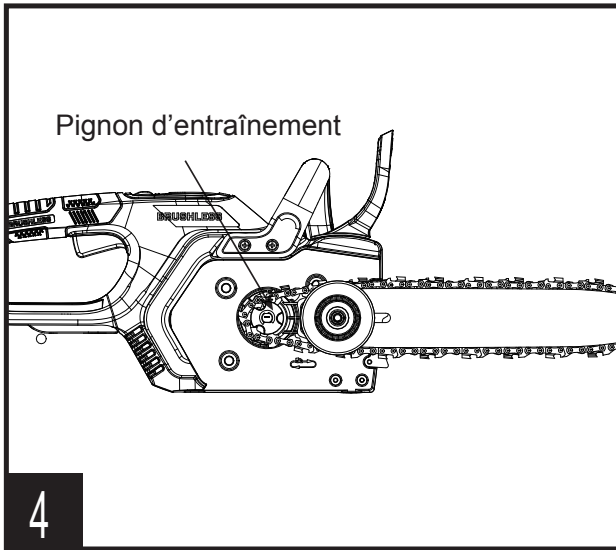
CSX2-M-0

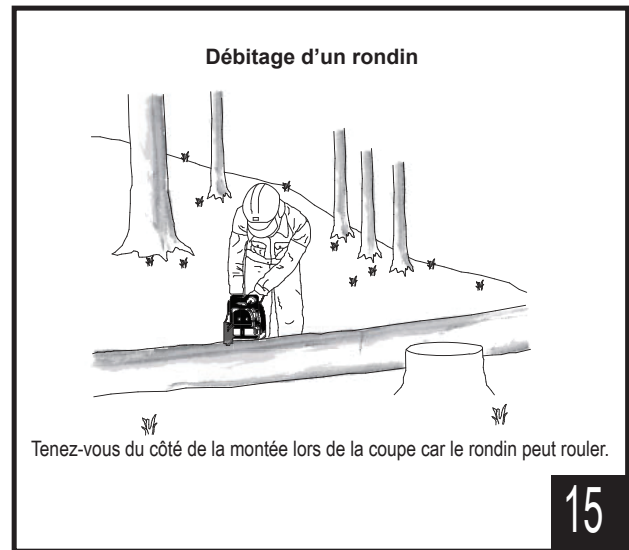
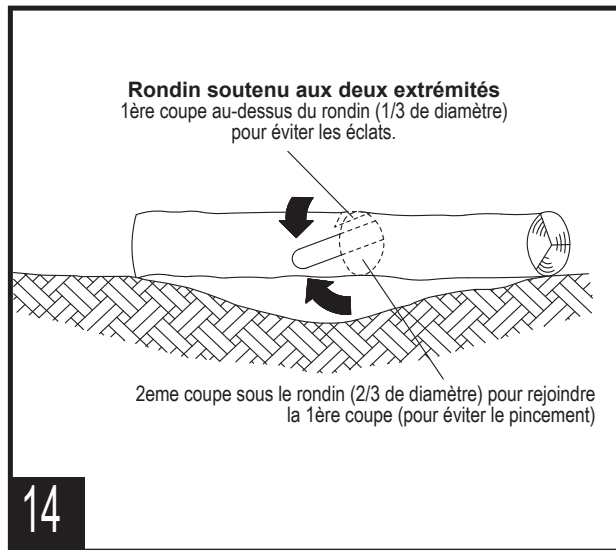
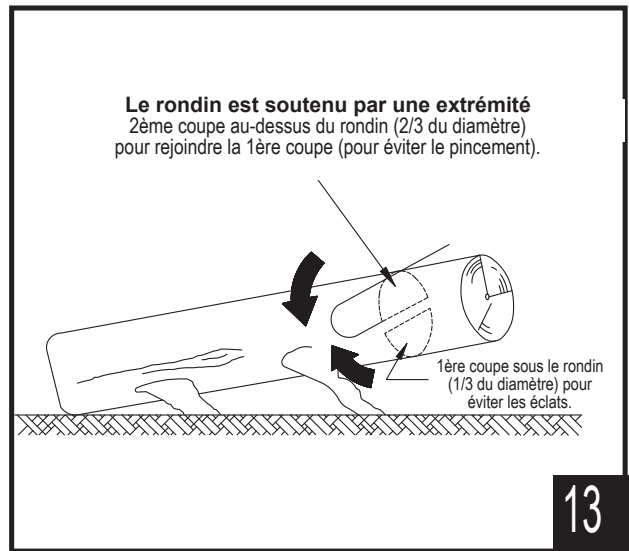
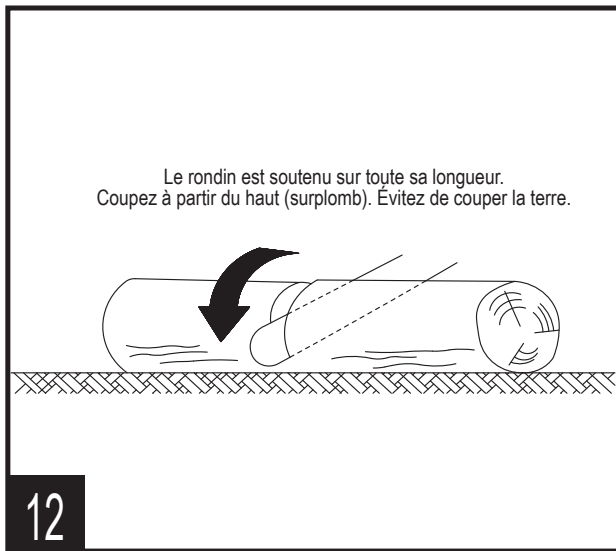
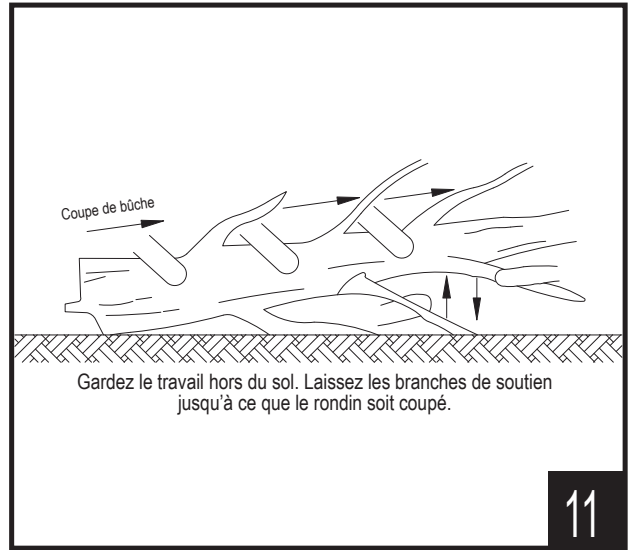
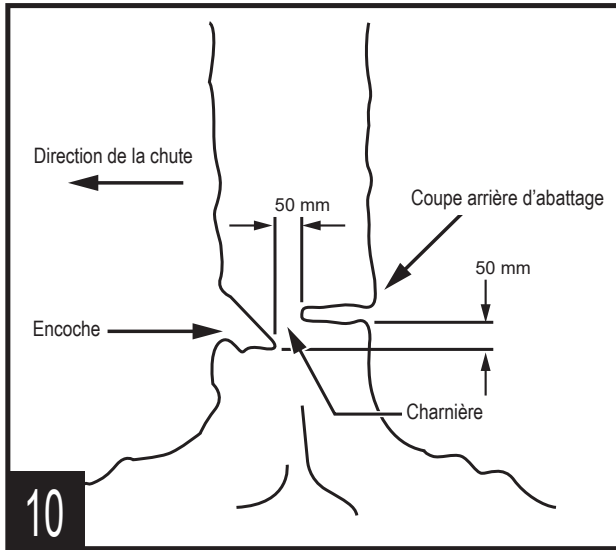


Pour obtenir une assistance à la clientèle, veuillez appeler le 1-800-261-3981 ou envoyer un e-mail à :
Service@senixtools.com
CONSERVEZ CE MANUEL POUR TOUTE CONSULTATION ULTÉRIEURE.

INSTRUCTIONS ORIGINALES







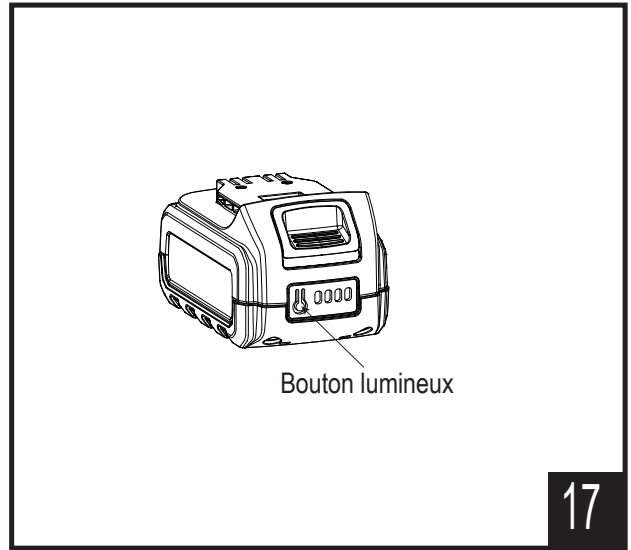
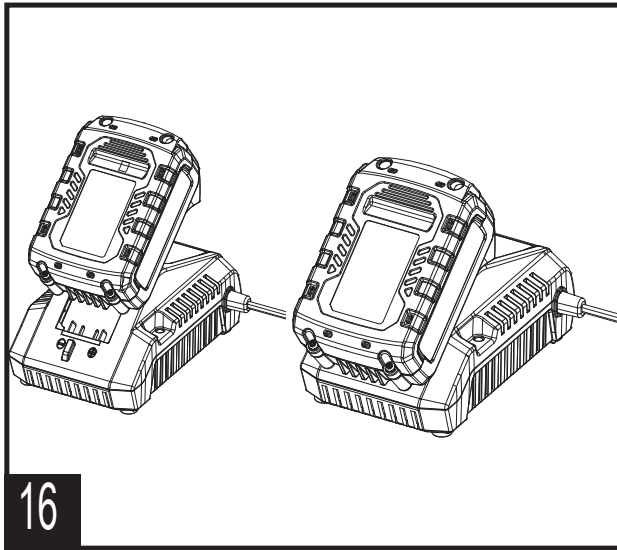


TABLE DES MATIÈRES

TABLE DES MATIÈRES	54
SÉCURITÉ ET SYMBOLES INTERNATIONAUX.....	54
INSTRUCTIONS DE SÉCURITÉ	55
DESCRIPTION DE VOTRE APPAREIL.....	65
SPÉCIFICATIONS*	65
ASSEMBLAGE	66
FONCTIONNEMENT.....	67
ENTRETIEN	70
GUIDE DE DÉPANNAGE.....	72
PIÈCES	73
GARANTIE	74

SÉCURITÉ ET SYMBOLES INTERNATIONAUX

L'explication des symboles de sécurité et internationaux décrit les symboles et pictogrammes de sécurité et internationaux susceptibles d'apparaître sur ce produit. Lisez le manuel de l'opérateur pour obtenir des informations complètes sur la sécurité, le montage, le fonctionnement, l'entretien et la réparation.



Attention / Avertissement.



Pour réduire le risque de blessures, l'utilisateur doit lire le manuel d'instructions.



Portez des lunettes de protection.



Portez une protection auditive.



Portez une protection respiratoire.



Portez des gants de protection.



N'exposez pas l'appareil à la pluie.



DANGER – Gardez les mains éloignées de la lame.



Prenez garde à ne pas couper les fils électriques; utilisez l'appareil par temps sec.



Assurez-vous que toutes les personnes restent à une distance d'au moins 50 pieds (15 m).



Des objets projetés peuvent ricocher et entraîner des blessures corporelles et des dégâts matériels.



Évitez tout contact de l'extrémité du guide-chaîne avec un objet.



Le contact de la pointe peut provoquer le déplacement soudain du guide-chaîne vers le haut et vers l'arrière, ce qui peut provoquer des blessures graves.



Utilisez toujours vos deux mains pour maintenir l'élagueuse.



Ne jetez pas les batteries dans les rivières et ne les immergez pas dans l'eau.



Ne jetez pas les blocs-batteries au feu. Elles pourraient exploser et causer des blessures.



Utilisez et rangez la batterie à une température inférieure à 122° F (50 °C).



Ne démontez pas la batterie, ne l'écrasez pas, ne la chauffez pas à une température supérieure à 212°F (100°C) ; n'exposez jamais la batterie aux micro-ondes ou à des pressions élevées.

INSTRUCTIONS DE SÉCURITÉ

CONSIGNES DE SÉCURITÉ GÉNÉRALES POUR UTILISER L'OUTIL ÉLECTRIQUE

⚠ AVERTISSEMENT !

Lisez toutes les consignes de sécurité et toutes les instructions.

Le non-respect des consignes de sécurité et des instructions peut être à l'origine d'électrocutions, d'incendies et/ou de blessures graves.

Conservez toutes les mises en garde et les instructions pour toute consultation ultérieure.

Le terme « outil électrique » dans les avertissements fait référence à votre outil électrique fonctionnant sur secteur (filaire) ou à batterie (sans fil).

1) Sécurité de la zone de travail

- a. **Maintenez la zone de travail propre et bien éclairée.** Les endroits sombres ou désordonnés augmentent les risques d'accident.
- b. **N'utilisez pas d'outils électriques dans des atmosphères explosives, par exemple en présence de liquides, de gaz ou de poussières inflammables.** Les outils électriques produisent des étincelles qui

peuvent enflammer la poussière ou les fumées.

- c. **Veillez à ce que les enfants et les autres personnes restent à distance lors de l'utilisation d'un outil électrique.** Un moment d'inattention peut vous faire perdre le contrôle de l'outil.

2) Sécurité électrique

- a. **La fiche de l'outil électrique doit être adaptée à la prise de courant. Ne modifiez jamais la fiche de quelque façon que ce soit. N'utilisez pas d'adaptateurs avec des outils électriques nécessitant une mise à terre.** Les prises non modifiées et les prises électriques appropriées réduisent le risque de choc électrique.
- b. **Évitez tout contact du corps avec des surfaces mises à la terre ou à la masse, telles que des tuyaux, des radiateurs, des cuisinières et des réfrigérateurs.** Le risque de choc électrique est accru si votre corps est relié à la terre ou mis à la masse.
- c. **N'exposez pas les outils électriques à la pluie ou à l'humidité.** L'eau qui pénètre dans un outil électrique augmente le

risque de choc électrique.

- d. **Prenez soin du câble d'alimentation. N'utilisez jamais le câble d'alimentation pour porter, tirer ou débrancher l'outil électrique.** Maintenez le câble d'alimentation éloigné de la chaleur, de l'huile, des arêtes tranchantes ou des pièces mobiles. Le risque d'électrocution augmente si le câble d'alimentation est endommagé ou emmêlé.
- e. **Lorsque vous utilisez un outil électrique à l'extérieur, utilisez une rallonge adaptée à cet usage.** L'utilisation d'un cordon adapté à une utilisation à l'extérieur réduit le risque de choc électrique.
- f. **Si vous êtes obligé(e) d'utiliser un outil électrique dans un endroit humide, utilisez une alimentation protégée par un dispositif différentiel à courant résiduel (DDR).** L'utilisation d'un DCR réduit le risque de choc électrique.

3) Sécurité personnelle

- a. **Restez vigilant(e), soyez attentif(ve) à ce que vous faites et faites preuve de bon sens lors de l'utilisation d'un outil électrique.** N'utilisez pas d'outil

électrique si vous êtes fatigué(e) ou sous l'influence de drogues, d'alcool ou de médicaments.

Un simple moment d'inattention lors de l'utilisation d'un outil électrique peut entraîner des blessures graves.

- b. **Utilisez des équipements de protection individuelle. Portez toujours une protection oculaire.** Les équipements de protection tels que le masque anti-poussière, les chaussures de sécurité antidérapantes, le casque de chantier ou les protections auditives utilisés dans les conditions appropriées réduiront les blessures corporelles.
- c. **Évitez tout démarrage accidentel. Assurez-vous que l'interrupteur est en position d'arrêt avant de brancher la source d'alimentation et/ou le bloc-piles, de ramasser ou de transporter l'outil.** Le fait de porter des outils électriques avec le doigt sur l'interrupteur ou de mettre sous tension des outils électriques dont l'interrupteur est activé provoque des accidents.
- d. **Retirez les clefs de réglage et de serrage avant de mettre l'outil en marche.** Une clé de

réglage ou de serrage restée sur une pièce en rotation d'un outil électrique peut provoquer des blessures.

- e. **Ne tenez pas d'atteindre des endroits éloignés de votre corps. Restez toujours d'aplomb et gardez bien l'équilibre.** Ceci permet de mieux contrôler l'outil électrique dans des situations inattendues.
- f. **Portez des vêtements appropriés. Ne portez pas de vêtement ample ni de bijou. Maintenez vos cheveux, vos vêtements et vos gants éloignés des pièces mobiles.** Les vêtements amples, les bijoux et les cheveux longs peuvent se coincer dans les pièces en rotation.
- g. **Si des dispositifs sont fournis pour le raccordement d'installations d'extraction et de collecte de poussière, assurez-vous qu'ils sont connectés et correctement utilisés.** L'utilisation d'un dépoussiéreur peut réduire les risques liés à la poussière.

4) Utilisation et entretien des outils électriques

- a. **Ne forcez pas l'outil électrique.**

Utilisez l'outil électrique approprié pour votre application.

Un outil électrique adapté permet d'effectuer le travail plus efficacement, avec une sécurité accrue, et au rythme pour lequel l'outil a été conçu.

- b. **N'utilisez pas l'outil électrique si l'interrupteur ne permet pas de le mettre en marche et de l'arrêter.** Tout outil électrique qui ne peut pas être contrôlé par son interrupteur marche/arrêt est dangereux et doit être réparé.
- c. **Débranchez le câble et/ou la batterie de l'outil électrique avant de procéder à des réglages, de changer des accessoires, ou de ranger l'outil.** Cette mesure de sécurité préventive réduit le risque de démarrage accidentel de l'outil électrique.
- d. **Rangez les outils électriques hors de portée des enfants et ne laissez pas des personnes ne connaissant pas l'outil électrique ou ces instructions utiliser l'outil électrique.** Les outils électriques sont dangereux dans les mains de personnes inexpérimentées.
- e. **Entretenez les outils électriques. Vérifiez qu'aucune**

pièce mobile n'est grippée ou mal alignée, qu'aucune pièce n'est cassée et qu'aucun autre problème n'affecte le fonctionnement des outils électriques.

En cas de dommage, faites réparer l'outil électrique avant de l'utiliser. De nombreux accidents sont dus à des outils électriques mal entretenus.

- f. **Maintenez les accessoires de coupe affûtés et propres.** Des accessoires de coupe bien entretenus et bien affûtés risquent moins de se coincer et sont plus faciles à contrôler.
- g. **Utilisez l'outil électrique et ses accessoires conformément à ces instructions, en tenant compte des conditions de travail et du travail à effectuer.** L'utilisation de l'outil électrique pour des opérations différentes de celles prévues pourrait entraîner une situation dangereuse.

5) Utilisation et entretien de l'outil à batterie

- a. **Rechargez uniquement avec le chargeur spécifié par le fabricant.** Un chargeur adapté à un type de batterie peut créer un risque d'incendie lorsqu'il est

utilisé avec une autre batterie.

- b. **Utilisez les outils électriques uniquement avec les blocs de batteries spécifiquement désignés.** L'utilisation de toute autre batterie peut créer un risque de blessures et d'incendie.
- c. **Lorsque la batterie n'est pas utilisée, elle doit être rangée loin de tout objet métallique, tel que trombone, pièce de monnaie, clef, clou, vis et tout autre petit objet métallique qui risquerait de mettre en contact ses bornes.** La mise en court-circuit des bornes de la batterie peut provoquer des brûlures ou un incendie.
- d. **Dans des conditions abusives, un liquide peut être éjecté de la batterie ; évitez tout contact.** En cas de contact accidentel, rincez à grande eau. En cas de contact avec les yeux, vous devez en outre consulter un médecin. Le liquide éjecté de la batterie peut provoquer des irritations ou des brûlures.

6) Réparations

- a. **Faites réparer votre outil électrique par un réparateur qualifié n'utilisant que des pièces de rechange identiques.** Cela

garantit que l'outil électrique reste sûr.

AVERTISSEMENTS DE SÉCURITÉ CONCERNANT VOTRE TRONÇONNEUSE

- **Veillez à ce qu'aucune partie du corps ne s'approche de la chaîne de la tronçonneuse est en marche. Avant de démarrer la tronçonneuse, vérifiez que la chaîne n'est en contact avec aucun objet.** Lors de l'utilisation d'une tronçonneuse, un simple moment d'inattention suffit pour que vos vêtements se prennent dans la chaîne ou qu'une partie de votre corps entre en contact avec celle-ci.
- **Tenez toujours la tronçonneuse avec la main droite sur la poignée arrière et la main gauche sur la poignée avant.** Ne tenez jamais la tronçonneuse en inversant la position des mains, car cela augmenterait les risques de blessures corporelles.
REMARQUE : Pour les tronçonneuses conçues avec le guide-chaîne sur le côté gauche, la référence aux positions « main droite » et « main gauche » est inversée.
- **Tenez toujours l'appareil par ses poignées isolantes : la lame peut à tout moment entrer en contact avec un fil électrique caché.** Si la tronçonneuse entre en contact avec un câble électrique « sous tension », les parties métalliques non carénées de l'outil électrique peuvent se retrouver « sous tension » et l'opérateur risque de subir un choc électrique.
- **Portez des lunettes de sécurité et des protections auditives. Il est recommandé de porter des équipements de protection supplémentaires pour protéger la tête, les mains, les jambes et les pieds.** Des vêtements protecteurs appropriés permettent de réduire les blessures corporelles dues à des débris projetés en l'air ou à un contact accidentel avec la chaîne.
- **La tronçonneuse ne doit pas être utilisée dans un arbre.** L'utilisation d'une tronçonneuse dans un arbre peut être à l'origine de blessures corporelles.
- **Gardez toujours des appuis solides et utilisez la tronçonneuse debout sur une surface plane, fixe et stable.**

Les surfaces instables ou glissantes (comme sur une échelle) risquent de vous faire perdre l'équilibre et le contrôle de la tronçonneuse.

- **Lors de la coupe d'une branche sous tension, faites attention à l'effet de rebond.** Au moment où la tension dans les fibres du bois se relâche, la branche risque d'être projetée et de frapper l'opérateur et/ou de lui faire perdre le contrôle de la tronçonneuse.
- **Faites extrêmement attention quand vous coupez des broussailles ou de jeunes arbres.** Les matériaux fins peuvent se prendre dans la chaîne puis se rabattre violemment dans votre direction ou vous faire perdre l'équilibre.
- **Portez la tronçonneuse en la tenant par sa poignée avant, en veillant à ce que son interrupteur soit sur la position hors tension, et en la maintenant éloignée de votre corps.** Remettez toujours le fourreau du guide-chaîne avant de transporter ou de ranger la tronçonneuse. Manipulez la tronçonneuse de manière appropriée afin de réduire les risques

de contact accidentel avec la chaîne en rotation.

- **Reportez-vous aux instructions pour lubrifier ou tendre la chaîne, ou pour changer d'accessoires.** Si la chaîne est mal lubrifiée ou incorrectement tendue, elle peut se casser ou faire augmenter les risques de rebond.
- **Veillez à ce que les poignées restent propres, sèches et exemptes d'huile et de graisse.** Les poignées huileuses ou graisseuses sont glissantes et peuvent vous faire perdre le contrôle de l'appareil.
- **Coupez uniquement du bois. N'utilisez pas la tronçonneuse pour un travail auquel elle n'est pas destinée.** N'utilisez pas la tronçonneuse pour couper du plastique, des briques ou des matériaux de construction dans d'autres matières que du bois. L'utilisation de la tronçonneuse pour des opérations différentes de celles prévues peut entraîner une situation dangereuse.

CAUSES ET PRÉVENTION DU RISQUE DE REBOND

Un rebond peut se produire quand

la pointe ou l'extrémité du guide-chaîne touche un objet, ou quand le bois emprisonne ou coince la chaîne au niveau du fil de coupe.

Si le bout de l'outil entre en contact avec un objet, il peut dans certains cas se produire une réaction brutale qui projette le guide-chaîne vers le haut et vers l'utilisateur.

Si la chaîne est pincée contre le bord supérieur du guide-chaîne, celui-ci peut être projeté brutalement vers l'opérateur.

Chacune de ces réactions peut vous faire perdre le contrôle de l'outil et provoquer de graves blessures corporelles. Ne vous fiez pas exclusivement aux dispositifs de sécurité intégrés à votre machine. En tant qu'utilisateur d'une tronçonneuse, vous avez la responsabilité de prendre les mesures qui s'imposent afin que le travail de coupe ne provoque pas des accidents ou des blessures.

Les rebonds résultent d'une mauvaise utilisation de l'outil et/ou de procédures d'utilisation incorrectes et/ou de conditions d'utilisation inadéquates. Il est possible de les éviter en prenant les précautions suivantes :

- **Tenez toujours la tronçonneuse fermement, avec**

les deux mains, en ceignant les poignées entre le pouce et les doigts, et en positionnant votre corps et vos bras de manière à pouvoir résister à la force d'un rebond éventuel.

L'utilisateur peut contrôler la puissance d'un rebond s'il a pris les précautions nécessaires. Ne lâchez pas la tronçonneuse.

- **N'essayez pas d'atteindre des zones difficiles d'accès et ne placez pas la tronçonneuse au-dessus de vos épaules.** Cela permet d'éviter un contact accidentel du bout du guide avec un objet, et de garder un meilleur contrôle de la tronçonneuse en cas de situations inattendues.
- **Utilisez uniquement les guide-chaînes et chaînes spécifiés par le fabricant.** Des chaînes ou guide-chaînes de rechange inadaptés peuvent provoquer des rebonds et/ou des cassures de la chaîne.
- **Respectez les instructions du fabricant concernant l'entretien et l'affûtage de la chaîne.** Une diminution de la hauteur de la jauge de profondeur peut entraîner une augmentation du rebond.

RÉDUCTION DU BRUIT ET DES VIBRATIONS

Afin de réduire l'impact des émissions sonores et vibratoires, limitez la durée d'utilisation, utilisez des modes à basses vibrations et à faibles bruits et portez des équipements de protection individuelle.

Prenez en compte les facteurs suivants afin de minimiser l'exposition aux bruits et aux vibrations:

- Utilisez l'outil exclusivement tel que prévu par sa conception et ces instructions.
- Veillez à ce que le produit soit en bon état et bien entretenu.
- Utilisez les pièces jointes appropriées pour le produit et assurez-vous qu'il est en bon état.
- Tenez fermement les poignées / surfaces de préhension.
- Entretenez cet outil conformément aux présentes instructions et maintenez-le bien lubrifié (si applicable).
- Planifiez votre travail avec un outil générant de fortes vibrations de façon à en étaler l'utilisation sur une longue période.
- L'utilisation prolongée de l'outil expose l'utilisateur à des vibrations pouvant provoquer des symptômes connus sous le nom

de syndrome des vibrations main-bras (SVMB), par exemple la décoloration des doigts qui deviennent blancs, ainsi que des maladies spécifiques, par exemple le syndrome du canal carpien.

- Pour réduire ce risque lors de l'utilisation du produit, portez toujours des gants de protection et gardez vos mains au chaud.
- Les symptômes du SVBM peuvent présenter une combinaison des symptômes suivants : Picotements et engourdissement des doigts ; incapacité à sentir correctement les objets ; perte de force dans les mains ; doigts qui blanchissent et deviennent rouges et douloureux à la récupération (en particulier dans le froid et l'humidité, et probablement seulement dans les extrémités au début). Consultez immédiatement un médecin si vous ressentez de tels symptômes.

URGENCE

À l'aide du présent mode d'emploi, familiarisez-vous avec l'utilisation de cet appareil. Mémorisez les consignes de sécurité et suivez-les à la lettre. Cela vous permettra de pré-

venir les risques et les dangers.

- Soyez toujours vigilant(e) lorsque vous utilisez ce produit, afin de pouvoir reconnaître et traiter les risques à temps. Une intervention rapide peut permettre d'éviter des blessures graves et des dommages matériels.
- Éteignez le produit et retirez la batterie en cas de dysfonctionnement. Faites examiner l'outil par un professionnel qualifié et faites-le réparer si nécessaire, avant de le réutiliser.

RISQUES RÉSIDUELS

Même si vous utilisez cet outil conformément à toutes les exigences de sécurité, certains risques de dommages corporels et matériels subsistent. Les dangers suivants peuvent survenir en relation avec la structure et la conception de ce produit :

- Problèmes de santé résultant de l'émission de vibrations si le produit est utilisé pendant de longues périodes ou s'il n'est pas géré de manière adéquate et correctement entretenu.
- Blessures corporelles et dommages matériels survenant pendant l'utilisation, dus au bris des

accessoires ou l'impact soudain d'objets cachés.

- Danger de blessures et de dommages matériels causés par des objets volants.
- L'utilisation prolongée de ce produit expose l'opérateur à des vibrations et peut provoquer la maladie des « doigts blancs » (maladie de Raynaud). Afin de réduire ce risque, portez des gants et maintenez vos mains au chaud. Si l'un des symptômes de la maladie de Raynaud apparaît, consultez immédiatement un médecin. Les symptômes des « doigts blancs » (maladie de Raynaud) sont les suivants : engourdissement, perte de sensibilité, picotements, piqûres, douleur, perte de force, changement de couleur ou d'état de la peau. Ces symptômes apparaissent dans les doigts, les mains ou les poignets. Le risque augmente à basse température.

AVERTISSEMENT !

Cet outil génère un champ électromagnétique quand il est en fonctionnement! Ce champ électromagnétique peut, dans certaines circonstances, interférer avec les implants médicaux actifs ou passifs!

Pour réduire le risque de blessure grave ou mortelle, nous recommandons aux personnes portant des implants médicaux de consulter leur médecin et le fabricant de l'implant médical avant d'utiliser cet appareil.

DESCRIPTION DE VOTRE AP-PAREIL

APPLICATIONS

Modèle : CSX2-M

Comme tronçonneuse :

L'ébranchage, l'abattage, la coupe du bois et l'élimination des racines de contrefort.

1	Batterie
2	Boîtier du moteur
3	Poignée auxiliaire
4	Poignée
5	Interrupteur à gâchette
6	Verrouillage du déclencheur
7	Capot décoratif
8	Bouchon du réservoir d'huile
9	Carter avec rupture de chaîne
10	Guide-chaîne
11	Chaîne
12	Couvercle du guide-chaîne
13	Bouton de tension
14	Bouton du couvercle latéral
15	Couvercle latéral



REMARQUE :

Le CSX2-M-0 n'inclut ni le chargeur ni la batterie.

SPÉCIFICATIONS*

Modèle	CSX2-M	
Tension nominale	18 V CC	
Vitesse à vide	4 000 tr/min	
Barre et chaîne recommandées	10pouces	
Longueur de la barre de guidage	10 pouces	
Capacité de coupe	8,7 pouces	
Vitesse de la chaîne	8m/s	
Contenance d'huile	5,07 oz	
Poids (sans batterie, chaîne ni guide-chaîne)	7,05 livres	
Modèle de batterie	B25X2	B50X2
Tension nominale	18 V	18 V
Capacité nominale	2,5 Ah	5,0 Ah
Poids	0,74 livre	1,43 livres
Modèle de chargeur	CHX2	
Puissance nominale d'entrée	100-240 V ~ 50/60 Hz	
Puissance nominale de sortie	21 V, 2000 mA	
Durée de charge (avec batterie de 2,5 Ah)	85 minutes	
Durée de charge (avec batterie de 5,0 Ah)	130 minutes	
Classe de protection (pour chargeur)	/ II	
Poids	0,75 livre	

Modèle	CSX2-M-0
Tension nominale	18 V CC
Vitesse à vide	4 000 tr/min
Longueur de la barre de guidage	10 pouces
Vitesse de la chaîne	8m/s
Contenance d'huile	5,07 oz
Poids (sans batterie, chaîne ni guide-chaîne)	7,05 livres
Modèle de batterie	Non inclus
Modèle de chargeur	Non inclus

ASSEMBLAGE

1. Déballiez toutes les pièces et posez-les sur une surface plane et stable.
2. Retirez tous les matériaux d'emballage et les dispositifs d'expédition, le cas échéant.
3. L'étendue de la livraison varie en fonction du pays et de la variante achetée :
Modèle de CSX2-M-0
 - Tronçonneuse x 1
 - Manuel d'instructions x 1
 - Guide-chaîne x 1
 - Couvercle du guide-chaîne x 1
 - Chaîne de scie x1
4. Si vous constatez que des pièces sont manquantes ou présentent des dommages, n'utilisez pas le produit mais contactez votre revendeur. L'utilisation d'un produit incomplet ou endommagé représente un danger pour les personnes et les biens.
5. Assurez-vous que vous disposez de tous les accessoires et outils nécessaires à l'assemblage et à l'utilisation. Cela comprend également un équipement de protection individuelle approprié.



REMARQUE :

Le CSX2-M inclut le chargeur et la batterie. Le CSX2-M-0 n'inclut ni le chargeur ni la batterie.



AVERTISSEMENT :



Portez des gants de protection pour ce travail d'assemblage et posez toujours le produit sur une surface plane et stable lors de l'assemblage.

Suivez les instructions de montage étape par étape et utilisez les images fournies comme guide visuel pour assembler facilement le produit !

N'insérez pas la batterie avant que l'outil électrique ne soit complètement assemblé ou réglé !

INSTALLATION DE LA CHAÎNE DE SCIE ET DU GUIDE-CHAÎNE



AVERTISSEMENT :

Assurez-vous que la batterie est retirée de la tronçonneuse avant de fixer le guide-chaîne et la chaîne.

1. Tournez le bouton du couvercle latéral dans le sens inverse des aiguilles d'une montre et retirez le couvercle latéral (schéma 2).
2. Faites passer la chaîne de scie dans la fente autour du guide-chaîne. Assurez-vous que la chaîne est dans le bon sens de marche en la comparant au symbole de rotation (schéma 3).
3. Montez la chaîne et le guide-chaîne sur le produit. Il peut être nécessaire de tendre préalablement la chaîne à l'aide du bouton de tension pour l'adapter au pignon d'entraînement.
4. Tirez la chaîne autour du guide-chaîne avec votre main gantée ou à l'aide d'outils auxiliaires pour vous assurer qu'elle fonctionne correctement (schéma 4).



REMARQUE :

Il est toujours recommandé de vérifier la régularité de la chaîne de scie avant de l'utiliser, même après l'avoir utilisée pendant un certain temps.

6. Remettez le couvercle latéral en place. Pendant ce temps, empêchez la chaîne de scie et le guide-chaîne de glisser vers l'extérieur.
7. Serrez légèrement le couvercle latéral à l'aide du bouton du couvercle latéral. Ne serrez pas trop pour permettre un réglage supplémentaire (schéma 3).
8. Réglez la tension à l'aide du bouton de tension jusqu'à ce qu'elle puisse être relevée d'environ 2-3 mm par rapport au guide-chaîne au centre (schéma 3).
9. Serrez soigneusement le couvercle latéral avec l'écrou du couvercle latéral (schéma 3).



REMARQUE :

Après une courte période d'utilisation, laissez la chaîne refroidir, retirez la batterie et vérifiez à nouveau la tension.

REPLISSAGE DE L'HUILE POUR LE GUIDE-CHAÎNE ET LA CHAÎNE



AVERTISSEMENT :

L'huile du guide-chaîne et de la chaîne prévient l'usure prématurée. N'utilisez jamais la tronçonneuse si l'huile n'est pas visible. Vérifiez fréquemment le niveau d'huile et faites le plein si nécessaire.



REMARQUE :

L'huile est nécessaire pour lubrifier correctement le guide-chaîne et la chaîne de la scie. La tronçonneuse est équipée

d'un graisseur automatique qui dépose de l'huile sur le guide et la chaîne lorsqu'elle fonctionne, ce qui les maintient correctement lubrifiés.

1. Placez la tronçonneuse sur le côté sur une surface ferme et plate.
2. Nettoyez tous les débris de la zone du bouchon.
3. Retirez le bouchon du réservoir d'huile (schéma 5).
4. Versez soigneusement l'huile de chaîne et guide-chaîne dans le réservoir.
- 5 Remettez le bouchon et assurez-vous que l'huile est visible dans le réservoir.

INSTALLATION / RETRAIT DE LA BATTERIE

Pour installer la batterie :

Faites glisser le bloc-batterie vers le port d'accueil de la batterie sur le produit jusqu'à ce qu'il s'enclenche (schéma 6). Vérifiez la connexion entre les deux.

Pour retirer la batterie :

Appuyez sur le bouton de déverrouillage de la batterie et faites glisser la batterie vers l'extérieur.

FONCTIONNEMENT



AVERTISSEMENT :

Pour éviter toute blessure grave, n'utilisez pas la tronçonneuse sans que le guide-chaîne, la chaîne de scie et le couvercle latéral soient correctement assemblés. N'essayez pas d'utiliser la tronçonneuse si une pièce est endommagée ou manquante.

TEST DU FREIN DE CHAÎNE

Cette tronçonneuse est conçue avec une fonction de frein de chaîne sur la protection, qui arrête à la fois le moteur et le mouvement de la chaîne en cas de rebond. Le frein de chaîne peut être activé en poussant la protection vers l'avant pendant que la scie tourne vers l'arrière lors du rebond. Avant d'utiliser la tronçonneuse, assurez-vous que le frein de chaîne peut fonctionner normalement sans aucun dysfonctionnement.

Pour vérifier le frein à chaîne (schéma 7) :

- Placez tronçonneuse sur une surface ferme et plane.
- Démarrez rapidement la tronçonneuse.
- Poussez la protection vers l'avant pour activer la fonction du frein de chaîne. Un frein de chaîne fonctionnant cor-

rectement arrête immédiatement le moteur et la chaîne de la scie. Si le moteur et la chaîne de la scie ne s'arrêtent pas immédiatement, faites vérifier le frein de chaîne dans un centre de service agréé.

- Relâchez la gâchette de l'interrupteur.
- Revenez en position de fonctionnement.

AMORÇAGE DU GRAISSEUR



AVERTISSEMENT :

Gardez les mains, les vêtements et les cheveux à l'écart du pignon d'entraînement lors de l'amorçage du graisseur.



REMARQUE :

Amorcez le graisseur avant la première utilisation ou après avoir été stocké pendant une longue période.

Il est essentiel de remplir avec de l'huile avant utilisation. L'utilisation de la tronçonneuse sans huile pour le guide et la chaîne entraînera des dommages à la tronçonneuse. La chaîne est automatiquement lubrifiée avec de l'huile pendant le fonctionnement par la sortie d'huile.

1. Insérez la batterie.
2. Faites fonctionner la tronçonneuse pendant environ deux minutes.
3. Retirez la batterie.
4. Retirez le couvercle latéral.
5. Vérifiez la présence d'huile sur le guide-chaîne.

TENSION DE LA CHAÎNE DE SCIE



REMARQUE :

Vérifiez la tension entre la chaîne de scie et le guide-chaîne avant chaque démarrage.



AVERTISSEMENT :

Ne tendez la chaîne de scie que lorsque la chaîne est froide. Une chaîne chaude peut se contracter et endommager le guide-chaîne ou la chaîne lorsqu'elle refroidit.

1. Il n'est pas nécessaire de retirer le couvercle latéral pour régler la tension de la chaîne de scie. Il suffit de desserrer légèrement l'écrou du couvercle latéral pour déverrouiller le guide-chaîne et la chaîne de scie qui sont complètement verrouillés pendant le fonctionnement.
2. Tournez le bouton de tension jusqu'à ce que la chaîne atteigne un état de tension approprié. La chaîne de scie

est correctement tendue lorsqu'elle peut être soulevée d'environ 2 à 3 mm du guide-chaîne au centre.

3. Enfin, serrez l'écrou du couvercle latéral après le réglage.



REMARQUE :

Si la chaîne est toujours lâche lorsque la scie est à la tension maximale, remplacez la chaîne.

MISE EN MARCHÉ / ARRÊT

Vérifiez que la protection est en position de fonctionnement. Si ce n'est pas le cas, remettez-le en place manuellement.

Appuyez d'abord sur le verrouillage de la gâchette, puis appuyez sur la gâchette de l'interrupteur pour démarrer l'appareil. Relâchez le verrouillage de la gâchette dès que la tronçonneuse démarre (schéma 8).

Pour éteindre la tronçonneuse, relâchez la gâchette de l'interrupteur.

PROTECTION CONTRE LA SURCHAUFFE DE LA TRONÇONNEUSE

Lorsque la température du circuit imprimé est supérieure à 120°C (248°F) pendant le fonctionnement, la tronçonneuse s'arrête automatiquement. Attendez qu'il refroidisse pendant environ cinq minutes, puis redémarrez le produit.

TECHNIQUES GÉNÉRALES DE SCIAGE



REMARQUE :

Il est recommandé à l'utilisateur débutant de s'entraîner à couper des bûches sur un billot ou un chevalet.

- Sciez les branches inférieures de l'arbre d'abord. Ce faisant, il est plus facile pour les branches coupées de tomber au sol.
- A la fin de la coupe, le poids de la scie augmente soudainement pour l'utilisateur puisqu'il n'est plus supporté par une branche. Il y a alors un risque de perte le contrôle de la tronçonneuse; assurez-vous de rester vigilant(e) pendant toute l'opération de sciage.
- Ne sortez la scie d'une coupe que lorsque la scie tourne. De cette façon, vous évitez que la chaîne ne se coince dans le bois.
- Ne sciez jamais avec l'extrémité du guide-chaîne.

Ne sciez pas dans les formations de branche (où les branches de l'arbre se ramifient vers l'extérieur). Cela empêcherait la capacité de l'arbre à repousser.

- Pour scier les petites branches, placez la face d'arrêt de la scie sur la branche. Cela empêchera les mouvements indésirables de la scie au début de la coupe. Tout en appliquant une légère pression, guidez la scie à travers la branche de haut en bas.
- Pour scier les grosses branches, faites d'abord une coupe en relief. Sciez à travers 1/3 du diamètre de la branche du bas vers le haut en utilisant le côté supérieur du guide-chaîne. Puis, sciez de haut en bas pour les autres 2/3 en utilisant le côté inférieur du guide-chaîne. Sciez les branches plus longues par sections afin de garder le contrôle de l'emplacement de l'impact.

ABATTAGE D'UN ARBRE

Si les opérations de débitage et d'abattage sont effectuées simultanément par deux personnes ou plus, la distance entre chacun des sites de travail doit être égale à au moins deux fois la hauteur de l'arbre.

Les coupes doivent être effectuées de manière à ce que les chutes d'arbres ne représentent pas de danger pour les biens et les personnes, ni pour les câbles aériens. En cas de contact d'un arbre avec un câble électrique, prévenez immédiatement la compagnie en question.

L'opérateur de la tronçonneuse doit rester du côté de la montée du terrain, car l'arbre risque de rouler ou de glisser vers le bas de la pente après son abattage.

Il faut prévoir un chemin de fuite et le dégager si nécessaire avant de commencer à couper. Le chemin de fuite doit s'étendre en arrière et en diagonale de la ligne de chute prévue (schéma 9).

Avant le début de l'abattage d'un arbre, examinez la courbe naturelle de l'arbre, l'emplacement des grosses branches et le sens du vent ; ces facteurs permettent d'anticiper la direction de la chute de l'arbre.

Enlevez les éléments étrangers (cailloux, saletés, clous, agrafes, fils de fer, morceaux d'écorce) de l'arbre.

ENCOCHAGE

Effectuez une entaille d'une profondeur égale à 1/3 du diamètre de l'arbre, perpendiculairement au sens de la chute (schéma 10). Effectuez tout d'abord une coupe horizontale inférieure en entaillant le tronc. Cela permettra d'éviter de pincer la chaîne et le guide-chaîne lorsque la deuxième entaille est réalisée.

COUPE ARRIÈRE D'ABATTAGE

Effectuez la coupe d'abattage arrière au moins 50 mm (2 pouces) plus haut que l'entaille horizontale (schéma 10).

Gardez le trait d'abattage strictement parallèle à l'entaille horizontale. Laissez entre l'entaille et le trait d'abattage une épaisseur de bois assez conséquente pour pouvoir constituer une charnière. La charnière a pour but d'éviter que l'arbre ne pivote et tombe dans la mauvaise direction. Ne coupez pas à travers la charnière.

À mesure que la tronçonneuse approche de la charnière, l'arbre doit commencer à vaciller. S'il existe une probabilité que l'arbre tombe dans la mauvaise direction ou penche vers l'arrière et coince la lame, arrêtez de couper avant d'avoir achevé le trait d'abattage, puis enfoncez un coin en bois, en plastique ou en aluminium dans le trait pour forcer l'arbre à tomber dans la direction souhaitée.

Lorsque l'arbre commence à tomber, retirez la tronçonneuse de la coupe, arrêtez le moteur, posez la tronçonneuse, puis utilisez le chemin de fuite prévu. Faites attention aux chutes éventuelles de branches et gardez bien l'équilibre.

ÉBRANCHAGE D'UN ARBRE

L'ébranchage consiste à enlever les branches d'un arbre abattu. Pendant l'ébranchage, laissez les grosses branches inférieures afin que le tronc reste en suspension au-dessus du sol. Enlevez les petites branches en une seule fois comme sur le schéma 11. Les branches sous tension doivent être coupées par en dessous, afin d'éviter tout risque de coincement de la tronçonneuse.

COUPE TRANSVERSALE / TRONÇONNAGE D'UNE BÛCHE

Le débitage / le tronçonnage consiste à couper une bûche en longueurs. Il est important de s'assurer que votre pied est ferme et que votre poids est réparti uniformément sur les deux pieds. Si c'est possible, surélevez le tronc à l'aide de branches, de bûches ou de coins. Pour une coupe plus facile, suivez les principes de base suivants :

Si le tronc est soutenu sur toute sa longueur (schéma 12), coupez-le par le dessus (coupe par le haut).

Si le tronc est soutenu par une extrémité (schéma 13), coupez environ 1/3 de son diamètre par en-dessous (coupe par le bas). Puis terminez la coupe par le haut, de manière à rejoindre la première entaille.

Si le tronc est soutenu des deux côtés (schéma 14), coupez environ 1/3 de son diamètre par le dessus (par le haut).

Ensuite, réalisez la coupe finale en coupant par le dessous les 2/3 inférieurs pour rejoindre la première coupe.

Lorsque vous effectuez une coupe transversale ou un tronçonnage sur une pente, tenez-vous toujours du côté amont du tronc (schéma 15). Lors de la coupe transversale, pour garder un contrôle total, relâchez la pression de coupe vers la fin de la coupe sans relâcher votre prise sur les poignées de la tronçonneuse.

Veillez à ce que la chaîne ne touche pas le sol. À la fin de la coupe, attendez l'arrêt complet de la chaîne avant de déplacer la tronçonneuse. Coupez toujours le moteur avant de passer d'un arbre à un autre.

CHARGE DE LA BATTERIE



AVERTISSEMENT :

Cette batterie au lithium-ion est expédiée partiellement chargée. Chargez complètement la batterie avant de l'utiliser pour la première fois.



REMARQUE :




Chargez les batteries à une température ambiante de 0 °C-40 °C (32 °F-104 °F) et stockez-les toujours à une température ambiante de 0 °C-25 °C (32 °F-77 °F).

1. Chargez la batterie au lithium-ion uniquement avec le chargeur approprié.
2. Connectez le chargeur à une source d'alimentation ; l'indicateur lumineux du chargeur devient rouge.
3. Alignez les nervures surélevées de la batterie avec la fente du chargeur (schéma 16).
4. Insérez la batterie dans le chargeur, l'indicateur lumineux du chargeur devient vert et clignote.
5. Le chargeur communiquera avec la batterie pour évaluer le statut de charge de la batterie.
6. Il est complètement chargé lorsque les quatre lumières de la batterie s'allument. Débranchez l'alimentation électrique du chargeur. Retirez la batterie du chargeur.

INDICATEUR DE RECHARGE

Appuyez sur le bouton lumineux de la batterie pour vérifier si elle doit être rechargée (schéma 17).

Indicateurs lumineux			Statut
Éclairé	Désactivé	Clignotant	
			La batterie est à pleine capacité.
			La batterie est à 75% de sa capacité.

	La batterie a une capacité de 50% et doit être rechargée.
	La batterie a une capacité de 25% et doit être rechargée rapidement.
	La batterie a une capacité inférieure à 5% et doit être rechargée rapidement.



AVERTISSEMENT :

Des dysfonctionnements peuvent survenir lorsque les quatre indicateurs clignotent à tour de rôle.

PROTECTION CONTRE LA SURCHAUFFE

Lorsque l'outil / la batterie est surchauffé, l'outil s'arrête automatiquement. Dans ce cas, laissez refroidir l'outil électrique / la batterie avant de rallumer l'outil.

PROTECTION CONTRE LA SURDÉCHARGE

Lorsque la capacité de la batterie n'est pas suffisante, l'outil s'arrête automatiquement. Dans ce cas, retirez la batterie de l'outil et chargez-la.

ENTRETIEN



AVERTISSEMENT :

Le fait de ne pas identifier et remplacer les pièces endommagées ou usées peut entraîner des blessures graves. Inspectez régulièrement la tronçonneuse. Une inspection régulière est la première étape d'un entretien correct. Suivez les directives ci-dessous pour maximiser la sécurité et la satisfaction. Faites remplacer immédiatement toute pièce endommagée ou excessivement usée.



AVERTISSEMENT :

Retirez toujours la batterie et laissez le produit refroidir complètement avant d'effectuer des

travaux de nettoyage et d'entretien !

Portez toujours des gants pour réduire le risque de blessures lorsque vous utilisez cet appareil. N'effectuez les travaux de nettoyage et d'entretien que conformément à ces instructions ! Tous les autres travaux doivent être effectués par un spécialiste qualifié !

REPLACEMENT / CHANGEMENT DE LA CHAÎNE DE SCIE ET DU GUIDE-CHAÎNE

Pour remplacer un guide-chaîne usé, reportez-vous à la section « INSTALLATION DE LA CHAÎNE ET DU GUIDE-CHAÎNE ».

Utilisez uniquement les pièces spécifiées pour les remplacements.

AFFÛTAGE DE LA CHAÎNE

N'affûtez pas la chaîne de scie par vous-même, sauf si vous êtes

expérimenté(e). Il est recommandé de faire affûter la scie élagueuse par un service agréé.

NETTOYAGE

- Retirez la batterie.
- Retirez les copeaux de bois et autres débris du port de la batterie. Nettoyez les contacts sales avec un chiffon doux et sec. La saleté ou l'huile peuvent causer une mauvaise connexion électrique, ce qui entraîne une perte d'alimentation.



AVERTISSEMENT :

Il n'y a aucune pièce utilisable par l'utilisateur à l'intérieur du bloc-batterie. Ne démontez pas l'outil.

- Après utilisation, nettoyez les débris de la chaîne de la scie et du guide-chaîne. Essuyez le bloc-moteur avec un chiffon propre humecté d'une solution de savon doux. N'utilisez jamais de nettoyeurs ou de solvants agressifs.
- Lors du remplacement de la chaîne, nettoyez toujours les copeaux de bois, la poussière de scie et la saleté de la rainure du guide.
- Assurez-vous que le dispositif de tension de la chaîne est exempt de copeaux de bois et d'autres débris.



REMARQUE :

Lors du nettoyage du bloc-moteur de la tronçonneuse, ne pas l'immerger dans l'eau ou dans d'autres liquides.

les autorités locales ou votre revendeur pour obtenir des conseils sur le recyclage.

TRANSPORT

- Retirez la batterie de la tronçonneuse.
- Installez le couvercle du guide-chaîne.
- Si nécessaire, vidangez l'huile du guide et de la chaîne pour réduire les infiltrations.
- Transportez la tronçonneuse avec le guide et la chaîne tournés vers l'arrière de l'opérateur.
- Les outils peuvent se déplacer pendant le transport. Assurez-vous que l'outil est bien fixé et ne peut pas tomber ou entrer en contact avec des personnes ou des biens.

ENTREPOSAGE

- Retirez la batterie de la tronçonneuse.
- Nettoyez soigneusement la tronçonneuse comme décrit ci-dessus.
- Installez le couvercle du guide-chaîne et placez un tampon absorbant sous le guide-chaîne.
- Rangez la tronçonneuse dans un endroit sec.
- Gardez la tronçonneuse hors de portée des enfants ou des animaux domestiques.
- Nous recommandons d'utiliser l'emballage d'origine pour le stockage ou de recouvrir le produit d'un tissu ou d'une enveloppe appropriée pour le protéger de la poussière.



REMARQUE :

Pour prolonger la durée de vie de la batterie, ne rangez jamais la batterie dans un état complètement déchargé. Assurez-vous que la batterie est chargée une fois par an ou lorsque l'indicateur LED n'affiche qu'une seule lumière.

MISE AU REBUT

Les déchets ne doivent pas être jetés avec les ordures ménagères. Recyclez-les là où des installations existent. Renseignez-vous auprès des autorités locales ou de votre détaillant pour obtenir des conseils en matière de recyclage.



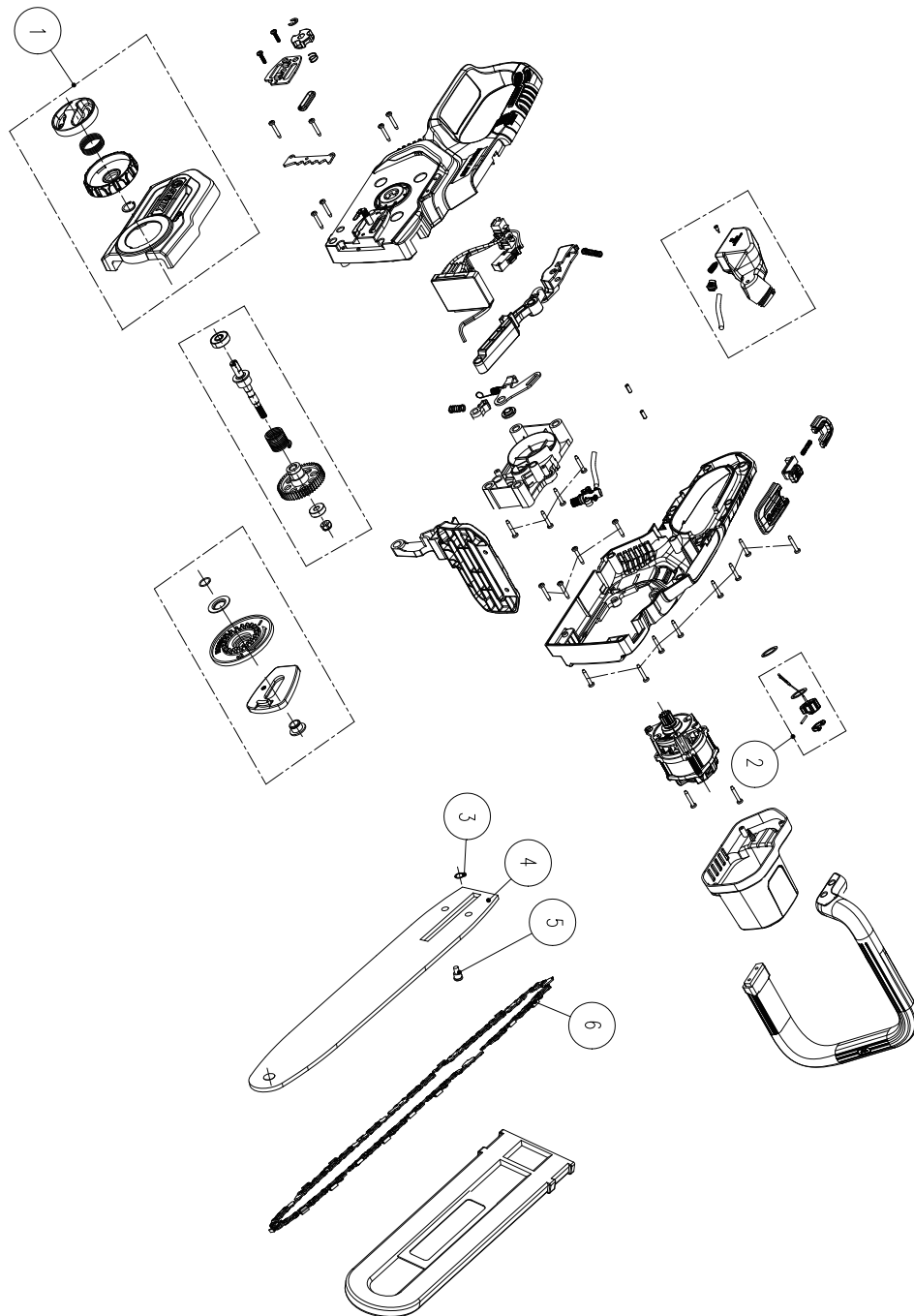
Les produits électriques ne doivent pas être jetés avec les produits ménagers. Les produits électriques usagés doivent être recueillis séparément et éliminés dans des points de collecte prévus à cette fin. Consultez

GUIDE DE DÉPANNAGE

Les dysfonctionnements suspectés sont souvent dus à des causes que les utilisateurs peuvent résoudre eux-mêmes. Par conséquent, vérifiez le produit en utilisant ce paragraphe. Dans la plupart des cas, le problème peut être résolu rapidement.

PROBLÈME	CAUSE POSSIBLE	SOLUTION
Le moteur ne fonctionne pas ou fonctionne de façon intermittente	Frein de chaîne engagé	Tirez la protection vers l'arrière.
	La batterie est déchargée.	Rechargez-la. Voir « CHARGE DE LA BATTERIE » dans ce manuel.
	Verrouillage de la gâchette non ouvert	Reportez-vous à la section « MISE EN MARCHÉ / ARRÊT » dans ce manuel.
	La batterie n'est pas complètement insérée.	Nettoyez les débris de l'orifice et des bornes de la batterie avec un chiffon sec et propre ou une brosse non conductrice.
	Il y a des débris dans le couvercle latéral	Retirez la batterie, puis retirez le couvercle latéral et nettoyez les débris.
	La batterie est froide	Laissez la batterie se réchauffer au-dessus de la température minimale de fonctionnement de 0 °C (32 °F).
La batterie ne se charge pas	La protection contre la surchauffe ou la souschauffe de la batterie est activée.	Cela peut se produire lorsque la tronçonneuse fonctionne en continu ou est exposée à des températures ambiantes élevées. Laissez la batterie atteindre la température acceptable avant de la charger.
	Contacts sales ou endommagés sur la batterie ou le chargeur	Inspectez les contacts de la batterie et du chargeur. Si nécessaire, nettoyez-les en suivant les instructions de ce manuel. Réinsérez la batterie dans le chargeur, en vous assurant qu'elle est bien en place.
	La batterie est en fin de vie.	Toutes les batteries ont une durée de vie limitée. Si la batterie a plus de deux ans ou a été rechargée fréquemment, il est peut-être temps de la remplacer. Remplacez-la uniquement par la batterie spécifiée pour cette tronçonneuse.
	Chargeur défectueux	Faites vérifier son fonctionnement dans un centre de service agréé.
La tronçonneuse ne coupe pas correctement	La tension de chaîne est insuffisante.	Réglez à nouveau le dispositif de tension.
	Chaîne émoussée / usée	Affûtez ou remplacez la chaîne de scie.
	La chaîne a été installée à l'envers	Reportez-vous à la section « INSTALLATION DE LA CHAÎNE DE SCIE ET DU GUIDE-CHAÎNE ».
	Chaîne sèche ou excessivement tendue	Vérifiez le niveau d'huile. Reportez-vous à la section « REMPLISSAGE D'HUILE ».
Le moteur tourne, mais la chaîne de scie ne tourne pas	La chaîne ne s'engage pas dans le pignon d'entraînement	Réinstallez la chaîne en vous assurant que les maillons d'entraînement de la chaîne sont bien en place sur le pignon.
Le frein de chaîne ne s'enclenche pas	Des débris empêchent le mouvement complet du protecteur	Nettoyez les débris du mécanisme externe du frein de chaîne.
	Dysfonctionnement possible du frein de chaîne	Contactez immédiatement un centre de service agréé.

PIÈCES



N°	Pièce #	Description	Qté
1	199001000612	Couvercle latéral	1
2	199123000462	Assemblage du bouchon du réservoir de carburant	1
3	207270100003	Bague d'étanchéité de la plaque de poussée	1
4	199140000081	Guide-chaîne	1
5	8206-438201-00	Vis de tension de la plaque de poussée	1
6	8344-433201-0000000	Chaîne de scie	1

GARANTIE

GARANTIE LIMITÉE DE DEUX ANS

Garantie limitée de 2 ans sur tous les équipements et chargeurs d'extérieur alimentés par batterie de la série Senix X2.

Garantie limitée de 2 ans sur toutes les batteries Senix X2. *

Ce produit Senix est garanti PENDANT DEUX ANS à compter de la date d'achat d'origine, contre les défauts de matériaux ou de fabrication sur les outils électriques et les chargeurs. Le produit défectueux sera réparé gratuitement.*

Ce produit Senix est garanti PENDANT DEUX ANS à compter de la date d'achat d'origine, contre les défauts de matériaux ou de fabrication de la batterie. Le produit défectueux sera réparé gratuitement.*

Cette garantie ne couvre pas l'usure normale des pièces et des composants tels que la chaîne de coupe, le fil ou les lames, et cette garantie ne couvre pas les frais de transport du produit pour la garantie ou l'entretien.

La garantie est sujette aux deux conditions suivantes :

- La garantie s'applique à l'acheteur original au détail et n'est pas transférable *
- Enregistrement de la garantie sur www.senixtools.com
- L'outil n'a pas été utilisé incorrectement, abusé, négligé, altéré, modifié ou réparé par quiconque d'autre qu'un centre d'entretien autorisé.
- Seuls les accessoires Senix authentiques ont été utilisés avec ou sur ce produit.
- L'outil a été soumis à une usure normale.
- L'outil n'a pas été utilisé à des fins commerciales ou professionnelles
- L'outil n'a pas été utilisé à des fins locatives.
- Cette garantie ne couvre que les défauts résultant d'une utilisation normale et ne couvre pas les dysfonctionnements, défaillances ou défauts résultant d'une utilisation incorrecte, d'un abus (surcharge du produit, exposition à l'eau ou à la pluie), d'une négligence ou d'un défaut d'installation, d'entretien ou de stockage. .

Pour localiser votre fournisseur de services Senix le plus proche, appelez gratuitement le 800-261-3981 ou envoyez-nous un e-mail sur service@senixtools.com.

Limitations supplémentaires

Toute garantie implicite accordée en vertu de la législation en vigueur, y compris les garanties de qualité marchande ou d'adéquation à un usage particulier, est limitée à trois ans à compter de la date d'achat pour les outils électriques et les chargeurs et à sept ans pour les batteries. Le fabricant n'est pas responsable des dommages directs, indirects, accessoires ou consécutifs. Certains états et provinces n'autorisent pas les limitations sur la durée d'une garantie implicite et / ou n'autorisent pas l'exclusion ou la limitation des dommages accessoires, et dans ce cas, les restrictions décrites précédemment ne s'appliquent pas. Cette garantie vous donne des droits légaux spécifiques, et vous pouvez également avoir d'autres droits qui varient d'un état à l'autre ou d'une province à l'autre.

YAT USA décline toute responsabilité en matière de responsabilité civile résultant d'une utilisation abusive ou non conforme à une utilisation et une maintenance correctes de la machine telles que décrites dans le manuel de l'utilisateur.

YAT USA n'est pas responsable des dommages directs, indirects, accessoires ou consécutifs.

Après l'achat, le fabricant recommande un entretien approprié de la machine et de lire le manuel de l'utilisateur avant d'utiliser la machine.

* Un reçu d'achat original peut être exigé comme preuve d'achat.

Pour le service à la clientèle, contactez-nous gratuitement au 1-800-261-3981 ou sur Senixtools.com.

YAT USA, Inc. 6441 Hendry Rd. Suite A Charlotte, NC. 28269