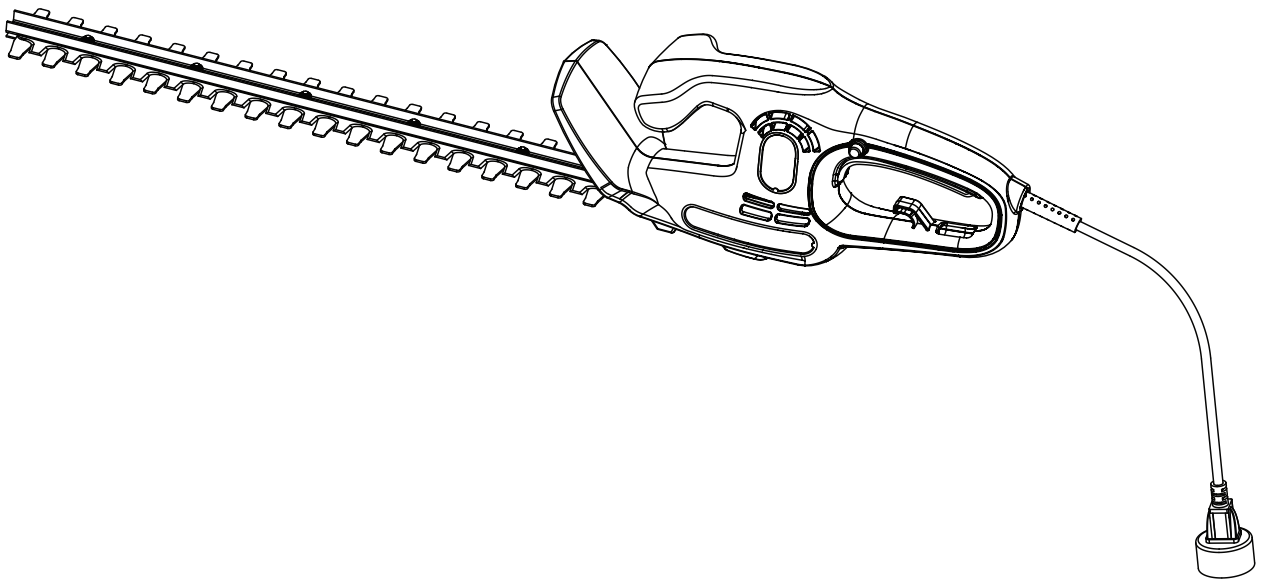




---

# ELECTRIC HEDGE TRIMMER

Operator's manual  
Model: HTE3.8-L



For customer support, please call 1-800-261-3981 or send email to: [Service@senixtools.com](mailto:Service@senixtools.com)

CAUTION: BEFORE USING THIS PRODUCT, READ THIS MANUAL AND FOLLOW ALL ITS SAFETY RULES AND OPERATING INSTRUCTIONS.  
ORIGINAL INSTRUCTIONS

## • SAFETY & INTERNATIONAL SYMBOLS •

This operator's manual describes safety and international symbols and pictographs that may appear on this product. Read the operator's manual for complete safety, assembly, operating and maintenance and repair information.



This graphic accompanied by the words **WARNING, DANGER OR CAUTION** calls attention to an act of a condition which can lead to **SERIOUS INJURY**.



Keep all bystanders at least 50 ft. away



To reduce the risk of injury, user must read instruction manual.



Do not expose to rain.



Always wear eye protection.



Thrown objects can ricochet and result in personal injury or property damage.



Wear slip-resistant foot protection.



The product complies with the applicable European directives and an evaluation method of conformity for these directives was done



Wear gloves.



Class II protection.



Always wear ear protection.



Waste electrical products should not be disposed of with household waste. Please recycle where facilities exist. Check with your Local Authority or retailer for recycling advice.



Failure to keep your hands away from the blade will result in serious personal injury.



Remove plug from the mains immediately if the power cord/extension cord is damaged or cut.

## TABLE OF CONTENTS

SAFETY.....	3
KNOW YOUR UNIT.....	8
SPECIFICATIONS* .....	9
ASSEMBLY.....	10
OPERATION.....	11
OPERATION.....	12
MAINTENANCE .....	13
CLEANING AND STORAGE .....	14
TROUBLESHOOTING .....	15
WARRANTY .....	16

## SAFETY

### GENERAL POWER TOOL SAFETY WARNINGS



#### WARNING

**Read all safety warnings and all instructions.** Failure to follow the warnings and instructions may result in electric shock, fire and/or serious injury. **Save all warnings and instructions for future reference.**

The term "power tool" in the warnings refers to your mains-operated (corded) power tool or battery-operated (cordless) power tool.

#### 1) Work area safety

- a) **Keep work area clean and well lit.**  
*Cluttered or dark areas invite accidents.*
- b) **Do not operate power tools in explosive atmospheres, such as in the presence of flammable liquids, gases or dust.** *Power tools create sparks which may ignite the dust or fumes.*
- c) **Keep children and bystanders away while operating a power tool.**  
*Distractions can cause you to lose control.*

#### 2) Electrical safety

- a) **Power tool plugs must match the outlet. Never modify the plug in any way. Do not use any adapter plugs with earthed (grounded) power tools.**

*Unmodified plugs and matching outlets will reduce risk of electric shock.*

- b) **Avoid body contact with earthed or grounded surfaces, such as pipes, radiators, ranges and refrigerators.**  
*There is an increased risk of electric shock if your body is earthed or grounded.*
- c) **Do not expose power tools to rain or wet conditions.** *Water entering a power tool will increase the risk of electric shock.*
- d) **Do not abuse the cord. Never use the cord for carrying, pulling or unplugging the power tool. Keep cord away from heat, oil, sharp edges or moving parts.** *Damaged or entangled cords increase the risk of electric shock.*
- e) **When operating a power tool outdoors, use an extension cord suitable for outdoor use.** *Use of a cord suitable for outdoor use reduces the risk of electric shock.*
- f) **If operating a power tool in a damp location is unavoidable, use a residual current device (RCD) protected supply.** *Use of an RCD reduces the risk of electric shock.*

#### 3) Personal safety

- a) **Stay alert, watch what you are doing and use common sense when operating a power tool. Do not use a power tool while you are tired or under the influence of drugs, alcohol**

**or medication.** *A moment of inattention while operating power tools may result in serious personal injury.*

- b) **Use personal protective equipment.** *Always wear eye protection. Protective equipment such as dust mask, non-skid safety shoes, hard hat, or hearing protection used for appropriate conditions will reduce personal injuries.*
- c) **Prevent unintentional starting.** *Ensure the switch is in the off-position before connecting to power source and/or battery pack, picking up or carrying the tool. Carrying power tools with your finger on the switch or energising power tools that have the switch on invites accidents.*
- d) **Remove any adjusting key or wrench before turning the power tool on.** *A wrench or a key left attached to a rotating part of the power tool may result in personal injury.*
- e) **Do not overreach. Keep proper footing and balance at all times.** *This enables better control of the power tool in unexpected situations.*
- f) **Dress properly. Do not wear loose clothing or jewellery. Keep your hair, clothing and gloves away from moving parts.** *Loose clothes, jewellery or long hair can be caught in moving parts.*
- g) **If devices are provided for the connection of dust extraction and collection facilities, ensure these are connected and properly used.** *Use of dust collection can reduce dust-related hazards.*

#### **4) Power tool use and care**

- a) **Do not force the power tool. Use the correct power tool for your application.** *The correct power tool will do the job better and safer at the rate for which it was designed.*
- b) **Do not use the power tool if the switch does not turn it on and off.** *Any power tool that cannot be controlled with*

*the switch is dangerous and must be repaired.*

- c) **Disconnect the plug from the power source and/or the battery pack from the power tool before making any adjustments, changing accessories, or storing power tools.** *Such preventive safety measures reduce the risk of starting the power tool accidentally.*
- d) **Store idle power tools out of the reach of children and do not allow persons unfamiliar with the power tool or these instructions to operate the power tool.** *Power tools are dangerous in the hands of untrained users.*
- e) **Maintain power tools. Check for misalignment or binding of moving parts, breakage of parts and any other condition that may affect the power tool's operation. If damaged, have the power tool repaired before use.** *Many accidents are caused by poorly maintained power tools.*
- f) **Keep cutting tools sharp and clean.** *Properly maintained cutting tools with sharp cutting edges are less likely to bind and are easier to control.*
- g) **Use the power tool, accessories and tool bits etc. in accordance with these instructions, taking into account the working conditions and the work to be performed.** *Use of the power tool for operations different from those intended could result in a hazardous situation.*

#### **5) Battery tool use and care**

- a) **Recharge only with the charger specified by the manufacturer. A charger that is suitable for one type of battery pack may create a risk of fire when used with another battery pack.**
- b) **Use power tools only with specifically designated battery packs. Use of any other battery packs may create a risk of injury and fire.**
- c) **When battery pack is not in use, keep**



it away from other metal objects, like paper clips, coins, keys, nails, screws or other small metal objects, that can make a connection from one terminal to another. Shorting the battery terminals together may cause burns or a fire.

d) Under abusive conditions, liquid may be ejected from the battery; avoid contact. If contact accidentally occurs, flush with water. If liquid contacts eyes, additionally seek medical help. Liquid ejected from the battery may cause irritation or burns.

## 6) Service

Have your power tool serviced by a qualified repair person using only identical replacement parts. This will ensure that the safety of the power tool is maintained.

## HEDGE TRIMMER SAFETY WARNINGS

- Keep all parts of the body away from the cutter blade. Do not remove cut material or hold material to be cut when blades are moving. Make sure the switch is off when clearing jammed material. A moment of inattention while operating the hedge trimmer may result in serious personal injury.
- Carry the hedge trimmer by the handle with the cutter blade stopped. When transporting or storing the hedge trimmer always fit the cutting device cover. Proper handling of the hedge trimmer will reduce possible personal injury from the cutter blades.
- **DANGER** – Keep hands away from blade. Contact with blade will result in serious personal injury.
- Use both hands when operating the hedge trimmer. Using one hand could cause loss of control and result in serious personal injury.
- Keep extension cord away from

cutting area. During operation the cable may be hidden in shrubs and can be accidentally cut by the blade.

- Hold the power tool by insulated gripping surfaces only, because the cutter blade may contact hidden wiring. Cutter blades contacting a "live" wire may make exposed metal parts of the power tool "live" and could give the operator an electric shock.
- Do not overreach and to keep the balance at all times. Always be sure of the footing on slopes. Walk when operating the power tool, never run.
- Do not touch moving hazardous parts before the battery pack is removed and the moving hazardous parts have come to a complete stop.
- Always wear eye and ear protection. Wear protective mask if necessary. Dress properly, do not wear loose clothing or jewelry that could become caught in moving parts of the unit. Safe, sturdy, nonskid footwear should always be worn. Long hair should be tied back.
- Disconnect the unit from the power supply:
  1. Whenever the machine is left by the user;
  2. Before clearing a blockage;
  3. Before checking, cleaning or working on the machine;
  4. After striking a foreign object to inspect the machine for damage;
  5. If the machine starts to vibrate abnormally, stop the machine and check immediately.
- Do not using the machine in bad weather conditions especially when there is a risk of lightning.
- Inspect the area to be cut and remove any foreign objects that will influence your cutting. If the foreign objects can not be removed, e.g. wire fences, please mark and remember it to avoid toughing them during cutting.

- **Hold the hedge trimmer properly with both hands.**

## ELECTRICAL SAFETY

1. Ground fault circuit interrupter (GFCI) protection should be provided on the circuit(s) or outlet(s) to be used for this electric hedge trimmer. Receptacles are available having built-in GFCI protection and may be used for this measure of safety.
2. To reduce the risk of electric shock, this appliance has a polarized plug (i.e. one blade is wider than the other). Use this appliance only with a polarized UL-, CSA-, or ETL-listed extension cord recommended for outdoor, all-weather use. The appliance plug will fit into a polarized extension cord only one way. If the appliance plug does not fit fully into the extension cord, reverse the plug. If the plug still does not fit, obtain a correct polarized extension cord. A polarized extension cord will require the use of a polarized wall outlet. The extension cord plug will fit into the polarized wall outlet only one way. If the plug does not fit fully into the wall outlet, reverse the plug. If the plug still does not fit, contact a qualified electrician to install the proper wall outlet. Do not modify the appliance plug, extension cord receptacle, or extension cord plug in any way.
3. To prevent electric shock, use only with an extension cord suitable for outdoor use, such as SW-A, SOW-A, STW-A, STOW-A, SJW-A, SJOW-A, SJTW-A, or SJTOW-A. Before use, check that the extension cord is in good condition. When using an extension cord, make sure to use one heavy enough to carry the current product. An undersized cord will cause a drop in line voltage resulting in loss of power and overheating.

## EXTENSION CORDS

Use a proper extension cord. **ONLY** use cords listed by underwriters Laboratories

(UL). Other extension cords can cause a drop in line voltage, resulting in a loss of power and overheating of tool.

For this tool an AWG (American Wire Gauge) size of a least 14-gauge is recommended for an extension cord of 25-ft. or less in length. Use 12-gauge for an extension cord of 50-ft. Extension cords 100-ft. or longer are not recommended. Remember, **a smaller wire gauge size has greater capacity than a larger number** (14-gauge wire has more capacity than 16-gauge wire; 12-gauge wire has more capacity than 14-gauge). When in doubt use the smaller number.

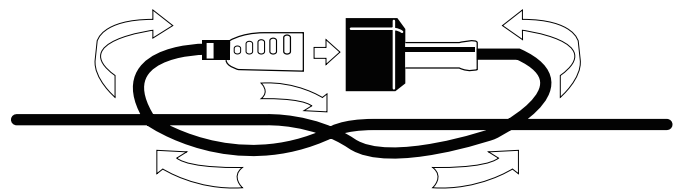
## EXTENSION CORDS

Volts	Total length of cord in feet			
120 V	25	50	100	150

## Ampere Rating

More than/Not more than			AWG	
0-6	18	16	16	14
6-10	18	16	14	12
10-12	16	16	14	12
12-16	14	12	Not recommended	

## SECURING EXTENSION CORD



## ⚠ CAUTION

Keep the extension cord clear of the work area. Position the cord so that it will not get caught on bushes, hedges, tree trunks, lawnmowers or other obstructions while you are working with the hedge trimmer.

## ⚠ WARNING

Check extension cords before each use. If damaged replace immediately. Never use tool with a damaged cord

**since touching the damaged area could cause electrical shock, resulting in serious injury.**

### **INTENDED USE**

**The product is intended for trimming hedges, bushes and shrubs. Do not cut branches exceeding the maximum cutting width of 0.7 in.(18 mm). This product is intended for private domestic use only, not for any commercial trade use. It must not be used for any purposes other than those described.**

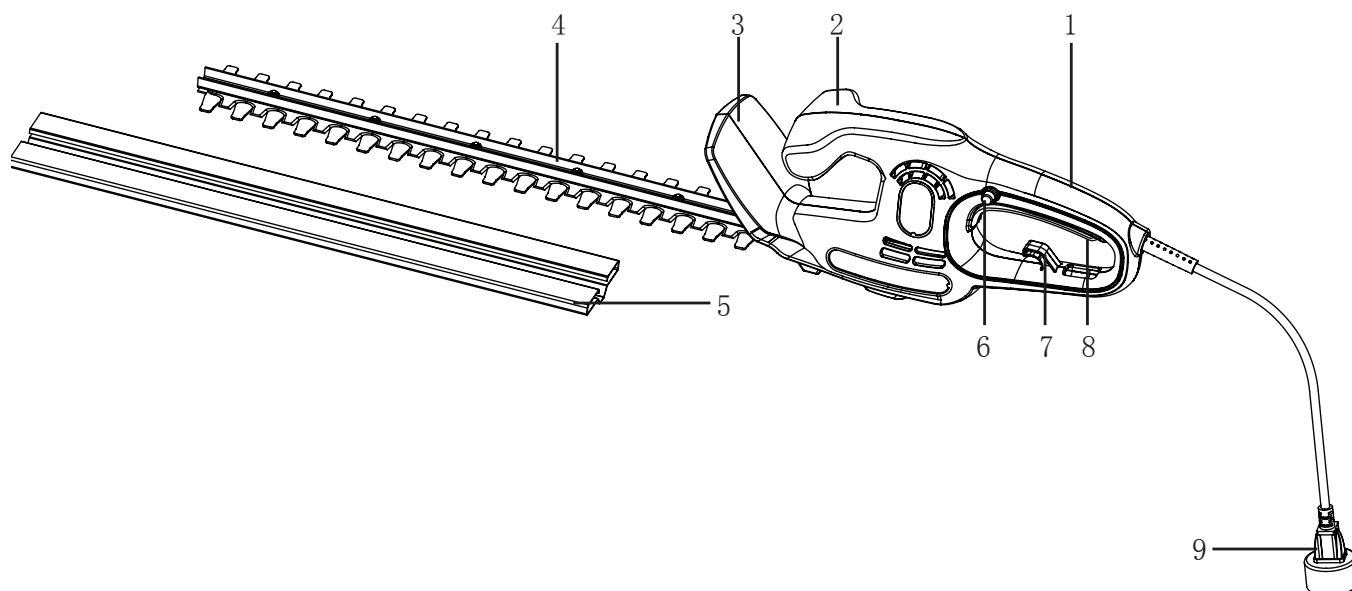
## KNOW YOUR UNIT

### APPLICATIONS

Model: HTE3.8-L

As a hedge trimmer:

- Cutting and trimming hedges and bushes for in domestic use.



1	Rear handle	6	Safety button
2	Front handle	7	Extension cord restraint hook
3	Safety guard	8	On/Off switch
4	Cutting blade	9	Appliance cord
5	Blade cover		

## SPECIFICATIONS\*

Model	HTE3.8-L
Rated Voltage	120 V ~ 60 Hz
No-load speed	3600 ± 10% rpm
Cutting length	20 in. (50.8 cm)
Tooth opening	1.1 in. (2.8 cm)
Power	3.8 A
Blade Length	22 in. (56 cm)
Cutting Diameter Max	0.7 in. (1.8 cm)
Weight	5.3 lbs (2.4 kg)

\* All specifications are based on the latest product information available at the time of printing. We reserve the right to make changes at any time without notice.

## ASSEMBLY

This product doesn't require assembly. Carefully remove the product and any accessories from the box. Make sure that all items listed in the packing list are included. Inspect the product carefully to make sure no breakage or damage occurred during shipping. Do not discard the packing material until you have carefully inspected and satisfactorily operated the product. If any parts are damaged or missing, please call 1-800-261-3981 for assistance.

### PACKING LIST

Hedge Trimmer x1  
Blade Cover x1  
Operator's Manual x1



### WARNING:

The equipment and packaging material are not toys. Do not let children play with plastic bags, foils, or small parts. These items can be swallowed and pose a suffocation risk!



## OPERATION

### CONNECTING TO POWER SUPPLY

This product is designed with a cord restraint hook that prevents the extension cord from disconnecting during operation.

1. Only connect the electric hedge trimmer to a working 120 V outlet using a heavy-duty outdoor extension power cord.
2. Make a loop in the extension cord and push it up through the hole in the handle and around the cord restraint hook, then connect the extension cord to the appliance cord (Fig. 1).

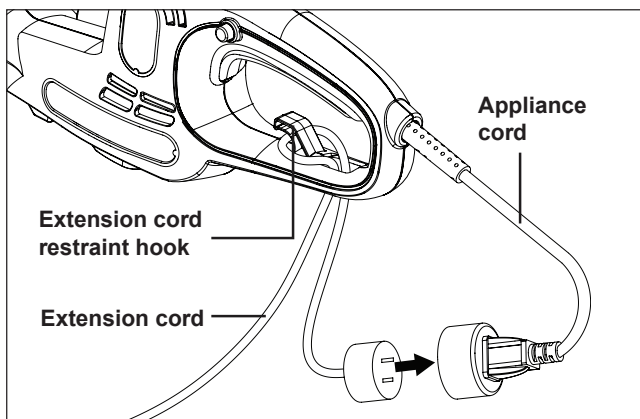


Fig. 1

### HOLDING THE UNIT

#### **! WARNING:**

Always wear eye, hearing, hand, foot and body protection to reduce the risk of injury when operating this unit. Keep all parts of your body away from the rotating cutting attachment and hot surfaces.

#### GENERAL

1. Check the product as well as accessories for damage before each use. Do not use the product if it is damaged or shows wear.
2. Double check that all parts are properly fixed.
3. Always hold the product on its handles. Keep the handles dry and free from lubricant to ensure safe holding.
4. Ensure that the air vents are always unobstructed and clear. Clean them if necessary with a soft brush. Blocked air vents may lead to overheating and damage the product.
5. Switch the product off immediately if you are disturbed while working by other people entering the working area. Always let the product come to complete stop before putting it down.
6. Do not overwork yourself. Take regular breaks to ensure you can concentrate on the work and have full control over the product.

#### **! WARNING:**

In some countries regulations define at what time of the day and on what special days products are allowed to be used and what restrictions apply! Ask your community for detailed information and observe the regulations in order to preserve a peaceful neighborhood and avoid committing administrative offences.

### SWITCHING ON AND OFF

1. To start the tool, press and hold the safety button, then squeeze the on/off switch (Fig. 2). When the blade starts moving and reaches to normal speed, release the safety button and start working.
2. Release the trigger switch to stop the tool.

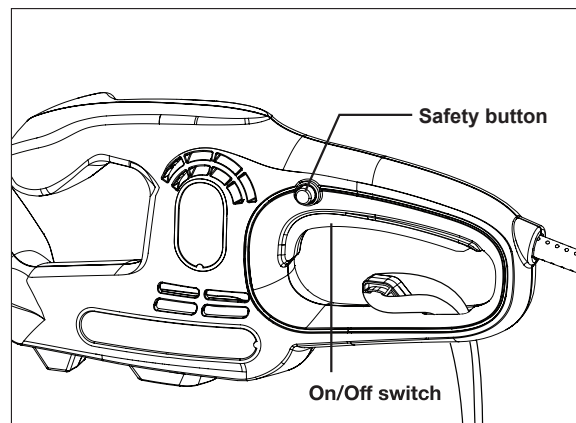


Fig. 2

NOTE: This product is equipped with the electric brake technology. The blades will stop in 3 seconds when the trigger switch being released.

### CUTTING PEOCEDURE

#### **! WARNING:**

Always lubricate the cutting blade with protective spray before use and storage.

1. Inspect the area to be cut and remove any foreign objects that will influence your cutting. If the foreign objects can not be removed, e.g. wire fences, please mark and remember it to avoid toughing them during cutting.
2. Run the machine to top speed before cutting.
3. Keep your body and feet in safety distance to cutting head.

### CUTTING TIPS

#### **! WARNING:**

Never cut near electric cords or lines. If blade jams on any electrical cord or line, DO NOT TOUCH THE BLADE! IT CAN BECOME ELECTRICALLY LIVE AND VERY DANGEROUS. Continue to hold the hedge

trimmer by the insulated rear handle or lay it down and away from you in a safe manner. Disconnect the electrical service to the damaged line or cord before attempting to free the blade from the line or cord. Contact with the blade, other conductive parts of the hedge trimmer, or live electric cords or lines will result in death by electrocution or serious injury.

### **WARNING:**

Clear the area to be cut before each use. Remove all objects such as cords, lights, wire, or loose string which can become entangled in the cutting blade and create a risk of serious personal injury.

Before starting the hedge trimmer, hold the unit with both hands with the cutting blades directed away from you. Always use the hedge trimmer properly.

Do not force the hedge trimmer through heavy shrubbery. This can cause the blades to bind and slow down. If the blades slow down, reduce the pace.

Do not try to cut stems or twigs that are larger than 3/4 in. thick, or those obviously too large to feed into the cutting blade. Use a non-powered hand saw or pruning saw to trim large stems.

If blades do become jammed, stop the product, allow the blades to stop and disconnect the unit from the power supply before attempting to remove the obstruction.

If desired, you can use a string to help cut your hedge level. Decide how high you want the hedge.

Then, stretch a piece of string along the hedge at this height. Trim the hedge just above this guide line of string. Trim the side of a hedge so that it will be slightly narrower at the top. More of the hedge will be exposed when shaped this way, and it will be more uniform.

Always hold hedge trimmer with both hands when operating. Use a firm grip on the handles. The unit is used for cutting in either direction in a slow, sweeping action from side to side.

### **WARNING:**

Always keep both hands on the hedge trimmer handles. Never hold shrubs with one hand and operate the hedge trimmer with the other. Improper operation of the hedge trimmer could result in serious injury.

Wear gloves when trimming thorny or prickly growth.

When trimming new growth, use a wide sweeping action, so that the stems are fed directly into the cutting blade. Older growth will have thicker stems and will be trimmed easiest by using a sawing movement.

## **! WARNING:**

Before performing any cleaning or maintenance, disconnect the unit from the power supply.  
Never touch the moving blades.  
Wear protective gloves!  
Maintain this product regularly and carefully! If the product is improperly maintained, it may fail at its intended task, which may produce fatal consequences.

## **! WARNING:**

Wear protective clothing and observe all safety instructions to prevent serious personal injury.

1. Keep the product clean. Remove debris from it after each use and before storage.
2. Regular and proper cleaning will help ensure safe use and prolong the life of the product.
3. Inspect the product before each use for worn and damaged parts. Do not operate it if you find broken and worn parts.

## **! WARNING:**

Only perform repairs and maintenance work according to these instructions! All further works must be performed by a qualified specialist!

### LUBRICATING THE BLADE

## **! WARNING:**

Always allow the blades of the hedge trimmer to come to a stop and remove and disconnect the unit from the power supply before lubricating. Failure to do so could result in accidental starting causing possible serious personal injury.

For easier operation and longer blade life, lubricate the hedge trimmer blade before and after each use. Lay the hedge trimmer on a flat surface. Apply light weight machine oil along the edge of the top blade.

**NOTE:** If you will be using the hedge trimmer for an extended time, it is advisable to oil the blade periodically.

1. Stop the hedge trimmer.
2. Disconnect the unit from the power supply. Lubricate the hedge trimmer as described above (Fig.3).

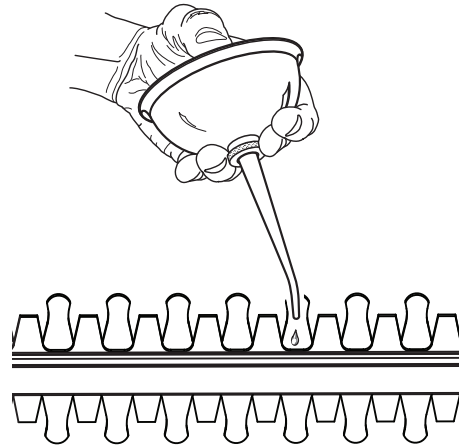
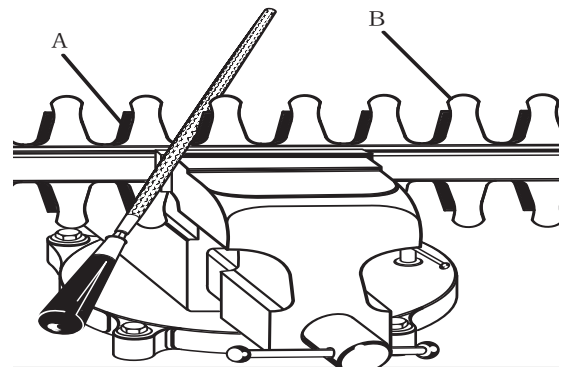


Fig. 3

### SHARPENING THE BLADE

Allow the blades of the hedge trimmer to come to a stop in the position shown. This will allow clearance for the file between the cutter teeth and the guard teeth. Disconnect the unit from the power supply. Clamp the blade assembly in a vise and file the exposed cutting surface of each blade tooth with an 8 in. smooth round file, 1/4 in. or 7/32 in. in diameter. Be sure to retain the original angle of the tooth when filing. Remove the hedge trimmer from the vise, and restart the hedge trimmer. Allow the blades of the hedge trimmer to come to a stop so that the unsharpened edges on the other side of the cutter blade teeth are exposed (Fig.4).



A - Cutting teeth  
B - Guard teeth

Fig. 4

# CLEANING AND STORAGE

## CLEANING

### **WARNING:**

Always switch the product off, and disconnect the unit from the power supply and let the product cool down before performing inspection, maintenance and cleaning work!

Use a small brush to clean the outside of the unit. Do not use strong detergents. Household cleaners that contain aromatic oils such as pine and lemon, and solvents such as kerosene, can damage plastic. Wipe off any moisture with a soft cloth.

Inspect the product before and after each use for worn and damaged parts. Do not operate it if you find worn and damaged parts.

**NOTE:** If the cutting blade is blocked by foreign objects during the operating, stop the product, wait for the cutting blade stops entirely, remove the foreign objects and clean the cutting blade.

### **WARNING:**

Only perform repairs and maintenance work according to these instructions! All further works must be performed by a qualified specialist!

## STORAGE

1. Clean the product as described above.
2. Store the product and its accessories in a dark, dry, frost-free, well-ventilated place.
3. Always store the product in a place that is inaccessible to children. The ideal storage temperature is between 50 °F(10 °C) and 86°F(30°C).
4. We recommend using the original package for wstorage or covering the product with a suitable cloth or enclosure to protect it against dust.

## TRANSPORT

1. Clean the product as described above.
2. Always carry the product by its handle.
3. Protect the product from any heavy impact or strong vibrations which may occur during transportation in vehicles.
4. Secure the product to prevent it from slipping or falling over,damage or injury.



The product comes in a package that protects it against damage during shipping. Keep the package until you are sure that all parts have been delivered and the product is function properly. Recycle the package afterwards.

Old products are potentially recyclable under Waste Electrical and Electronic Equipment(WEEE) Directive(2012/19/EU) and do not, therefore, belong in your household rubbish. You are requested to assist us and our contribution to saving resources and protecting the environment by handing in this appliance at an equipped collection centre(if there is one available)

## TROUBLESHOOTING

PROBLEM	POSSIBLE CAUSE	SOLUTION
Product does not start	Extension cord not connected to the power plug	Check extension cord is fully connected to tool
	Extension cord not connected to power source	Check extension cord is fully connected to a live receptacle
	The safety button or the trigger switch is not fully engaged	Refer to chapter "SWITCHING ON AND OFF"
Product does not reach full power	Air vents are blocked	Clean the air vents
Result is unsatisfactory	Cutting attachment is worn	Replace with a new one
	Blades or blade support bent	Straighten blade or blade support
Vibration or noise is excessive	Bolts/nuts are loose	Tighten bolts/nuts

If further assistance is required, take the unit to a qualified service dealer.

# WARRANTY

## LIMITED TWO-YEAR WARRANTY

2-year limited warranty on all Senix E series outdoor electric powered equipment.

FOR TWO YEARS from the original date of retail purchase this Senix product is warranted against defects in materials or workmanship on power tools. Defective product will receive free repair.\*

This warranty does not cover normal wear of parts and components such as cutting chain, line or blades nor does this warranty cover product transportation cost for warranty or service.

Warranty is subject to the following conditions:

- Warranty applies to the original purchaser at retail and is not transferrable\*
- Warranty Registration at [www.senixtools.com](http://www.senixtools.com)
- The tool has not been misused, abused, neglected, altered, modified or repaired by anyone other than an authorized servicecenter
- Only genuine Senix accessories have been used with or on this product
- The tool has been subjected to normal wear and tear
- The tool has not been used for trade or professional purposes
- The tool has not been used for rental purposes
- This warranty only covers defects arising under normal usage and does not cover any malfunction, failure or defect resulting from misuse, abuse (including overloading the product, exposure to water or rain) accidents, neglect or lack of proper installation and improper maintenance or storage.

To locate your nearest Senix service provider call toll free at 800-261-3981 or email us at [service@senixtools.com](mailto:service@senixtools.com).

## Additional Limitations

Any implied warranty granted under state law, including warranties of merchantability or fitness for a particular purpose, are limited to three years from the date of purchase on power tools and chargers and seven years on batteries. The manufacturer is not responsible for direct, indirect, incidental or consequential damages. Some states and provinces do not allow limitations on how long an implied warranty lasts and/or do not allow the exclusion or limitation of incidental damages, so the above limitations and exclusions may not apply to you. This warranty gives you specific legal rights, and you may also have other rights which vary from state to state or province to province.

The YAT USA declines any responsibility in regard to civil liability arising from abusive use or not in conformity with proper use and maintenance of the machine as described in the operator's manual.

YAT USA is not responsible for direct, indirect, incidental or consequential damages.

After the purchase, the manufacturer recommends proper maintenance of the machine and to read the operator's manual before using the machine.

\*Original purchase receipt may be required for proof of purchase

For customer service contact us toll free at 1-800-261-3981 or [Senixtools.com](http://Senixtools.com).

YAT USA, Inc. 6441 Hendry Road, Suite A, Charlotte, NC 28269

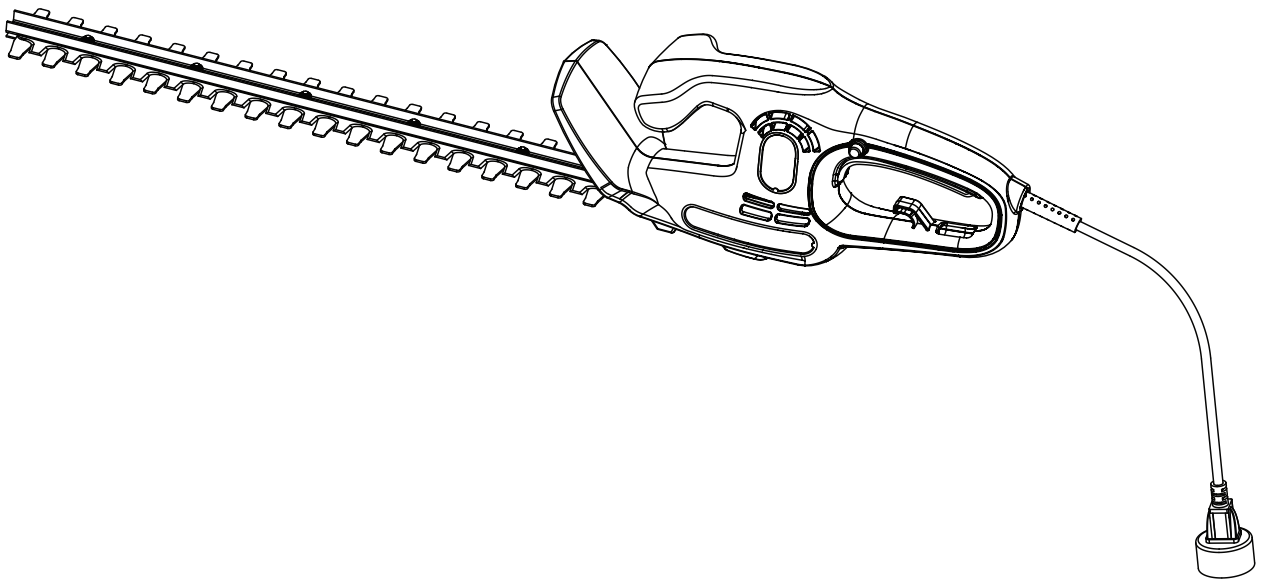




---

# CORTASETOS ELÉCTRICO

Manual del usuario  
Modelo: HTE3.8-L



## • SÍMBOLOS DE SEGURIDAD E INTERNACIONALES •

Este manual del operador describe los símbolos y pictogramas de seguridad e internacionales que pueden aparecer en este producto. Lea el manual del operador para ver la información completa sobre seguridad, montaje, funcionamiento, mantenimiento y reparación.



Este gráfico con las palabras ADVERTENCIA, PELIGRO O PRECAUCIÓN llama la atención a una acción o condición que puede llevar a sufrir LESIONES GRAVES.



Mantenga a los transeúntes a una distancia mínima de 50 pies (15,24 m).



Para disminuir el riesgo de lesiones, el usuario debe leer el manual de instrucciones.



No exponer a la lluvia.



Usar siempre protección ocular.



Los objetos arrojados pueden rebotar y provocar lesiones personales o daños a la propiedad.



Use calzado protector antideslizante.



El producto cumple con las directivas europeas aplicables y se ha sometido a un método de evaluación de conformidad con dichas directivas



Use guantes.



Protección de clase II.



Use siempre protección auditiva.



Los productos eléctricos de desecho no se deben eliminar con los desechos domésticos. Recíclelos en las instalaciones existentes previstas al efecto.

Consulte a las autoridades locales o al distribuidor minorista para asesorarse sobre el reciclaje.



Si no mantiene las manos alejadas de la hoja, se producirán lesiones personales graves.



Retire el enchufe de la red eléctrica inmediatamente si el cable de alimentación/cable de extensión se daña o corta.

## TABLA DE CONTENIDOS

SEGURIDAD .....	19
CONOZCA SU HERRAMIENTA.....	24
ESPECIFICACIONES* .....	25
MONTAJE.....	26
FUNCIONAMIENTO.....	27
FUNCIONAMIENTO.....	28
MANTENIMIENTO .....	29
LIMPIEZA Y ALMACENAMIENTO.....	30
SOLUCIÓN DE PROBLEMAS .....	31
GARANTÍA.....	32

## SEGURIDAD

### ADVERTENCIAS DE SEGURIDAD GENERALES PARA LAS HERRAMIENTAS ELÉCTRICAS



#### ADVERTENCIA

Lea todas las advertencias sobre seguridad y todas las instrucciones. El incumplimiento de las advertencias e instrucciones puede causar descargas eléctricas, fuegos y/o lesiones graves.

**Conserve todas las advertencias e instrucciones para futuras consultas.**

El término «herramienta eléctrica» en las advertencias se refiere a su herramienta eléctrica operada por conexión a la red (con cable) o herramienta eléctrica operada por batería (inalámbrica).

#### 1) Seguridad en la zona de trabajo

- Mantenga la zona de trabajo limpia y bien iluminada.** *Las zonas desordenadas u oscuras son propensas a accidentes.*
- No utilice herramientas eléctricas en atmósferas explosivas, como en presencia de líquidos, gases o polvo inflamables.** *Las herramientas eléctricas producen chispas que podrían prender el polvo o los humos.*
- Mantenga a los niños y transeúntes alejados de la herramienta eléctrica.** *Las distracciones pueden hacerle perder*

*el control.*

#### 2) Seguridad eléctrica

- Los enchufes de la herramienta eléctrica deben corresponderse con la toma de corriente. Nunca modifique el enchufe en modo alguno. No use adaptadores de enchufe con toma a tierra con la herramienta eléctrica.** *Los enchufes sin modificar y las tomas de corriente que se correspondan con ellos disminuyen el riesgo de descargas eléctricas.*
- Evite el contacto corporal con superficies conectadas a tierra, como tuberías, radiadores, cocinas y refrigeradores.** *Existe un mayor riesgo de sufrir una descarga eléctrica si su cuerpo está conectado a tierra.*
- No exponga las herramientas eléctricas a la lluvia o a la humedad.** *Si le entra agua a la herramienta, aumenta el riesgo de sufrir descargas eléctricas.*
- No maltrate el cable. Nunca use el cable para transportar, tirar o desenchufar la herramienta. Mantenga el cable alejado del calor, aceite, bordes afilados o partes móviles.** *Los cables dañados o enredados aumentan el riesgo de descargas eléctricas.*
- Cuando use la herramienta en el exterior, use un cable de extensión apto para usos a la intemperie.** *Usar un cable apto para exteriores disminuye el riesgo de descargas eléctricas.*

f) **Si es inevitable utilizar una herramienta eléctrica en un lugar húmedo, utilice un suministro protegido por dispositivo de corriente residual (RCD).** *El uso de un dispositivo RCD disminuye el riesgo de descargas eléctricas.*

### 3) Seguridad personal

a) **Manténgase alerta, observe lo que está haciendo y use el sentido común al operar una herramienta eléctrica.**

**No utilice una herramienta eléctrica si está cansado o bajo la influencia de drogas, alcohol o medicamentos.** *Un momento de descuido mientras está usando la herramienta puede producir lesiones personales graves.*

b) **Use un equipo de protección personal. Usar siempre protección ocular.** *El equipo de protección, como mascarilla antipolvo, calzado de seguridad antideslizante, casco o protección para los oídos utilizado en las condiciones adecuadas, reducirá las lesiones personales.*

c) **Evite puestas en marchas por accidente. Asegúrese de que el interruptor esté en la posición de apagado antes de conectar a la fuente de alimentación y/o al paquete de baterías, levantar o transportar la herramienta.** *Llevar herramientas eléctricas con el dedo en el interruptor o energizar herramientas eléctricas que tienen el interruptor encendido puede provocar accidentes.*

d) **Retire cualquier llave de ajuste o llave inglesa antes de encender la herramienta.** *Una llave inglesa o una llave colocada en una parte giratoria de la herramienta eléctrica pueden provocar lesiones personales.*

e) **No se estire para alcanzar objetos. Mantenga un equilibrio y postura adecuados en todo momento.** *Esto permite controlar mejor la herramienta en situaciones inesperadas.*

f) **Use una vestimenta adecuada. No**

**lleve ropa holgada ni joyas. Mantenga el pelo, la ropa y los guantes alejados de las partes móviles.** *La ropa holgada, las joyas o el cabello largo pueden engancharse en las partes móviles.*

g) **Si se proporcionan dispositivos para la conexión de instalaciones de extracción y recolección de polvo, asegúrese de que estén conectados y se utilicen correctamente.** *El uso de colectores de polvo disminuye los peligros asociados con el polvo.*

### 4) Uso y cuidado de la herramienta

a) **No fuerce la herramienta. Use la herramienta correcta para su aplicación.** *La herramienta eléctrica correcta hará el trabajo mejor y de manera más segura a la velocidad para la que fue diseñada.*

b) **No utilice la herramienta eléctrica si el interruptor no la enciende y apaga.** *Cualquier herramienta eléctrica que no se pueda controlar con el interruptor es peligrosa y debe repararse.*

c) **Desconecte el enchufe de la fuente de alimentación y/o el paquete de baterías de la herramienta antes de realizar cualquier ajuste, cambiar accesorios o almacenarla.** *Estas medidas de seguridad preventivas reducen el riesgo de poner en marcha accidentalmente la herramienta eléctrica.*

d) **Guarde las herramientas eléctricas inactivas fuera del alcance de los niños y no permita que personas que no estén familiarizadas con la herramienta o con estas instrucciones la utilicen.** *Las herramientas eléctricas son peligrosas en manos de usuarios inexpertos.*

e) **Realice el mantenimiento de las herramientas eléctricas. Compruebe si hay desalineación o atascamiento de las piezas móviles, rotura de piezas y cualquier otra condición que pueda afectar el funcionamiento de la herramienta.** *Si estuviera dañada, haga que la reparen antes de volver a usarla.*

*Muchos accidentes son causados por herramientas eléctricas mal mantenidas.*

- f) **Mantenga las herramientas de corte afiladas y limpias.** *Las herramientas de corte con un mantenimiento adecuado con bordes cortantes afilados tienen menos probabilidades de atascarse y son más fáciles de controlar.*
- g) **Utilice la herramienta eléctrica, los accesorios y las brocas, etc. de acuerdo con estas instrucciones, teniendo en cuenta las condiciones de trabajo y el trabajo a realizar.** *El uso de la herramienta eléctrica para operaciones diferentes a las previstas podría resultar en una situación peligrosa.*
- 5) Uso y cuidado de la batería de la herramienta**
- a) **Recargue solo con el cargador especificado por el fabricante.** Un cargador que sea adecuado para un tipo de paquete de baterías puede crear un riesgo de incendio cuando se usa con otro paquete de baterías distinto.
- b) **Utilice herramientas eléctricas solo con paquetes de baterías específicamente designados.** El uso de un paquete de baterías distinto puede causar un riesgo de lesiones o de fuego.
- c) **Cuando el paquete de baterías no esté en uso, manténgalo alejado de objetos metálicos, como clips, monedas, llaves, clavos, tornillos u otros objetos metálicos pequeños, que puedan hacer una conexión de un terminal a otro.** Provocar un cortocircuito en los terminales de la batería puede causar quemaduras o un fuego.
- d) **Si se maltrata la batería, su líquido puede salir expulsado; evitar el contacto.** Si entrara en contacto por accidente, lave con agua abundante. Si el líquido entra en contacto con los ojos, consulte con un médico. El líquido de la batería puede causar ir-

ritación o quemaduras.

## **6) Reparación**

**Asegúrese de que su herramienta sea reparada por un técnico cualificado y que solo utilice piezas de repuesto idénticas.** Ello garantizará que se mantenga la seguridad de la herramienta eléctrica.

## **ADVERTENCIAS DE SEGURIDAD DEL CORTASETOS**

- **Mantenga todas las partes del cuerpo alejadas de la hoja de corte.** No retire el material cortado ni sujete el material a cortar cuando la hoja de corte esté en movimiento. Asegúrese de que el interruptor esté apagado antes de retirar material atascado. Un momento de distracción mientras opera el cortasetos puede resultar en lesiones personales graves.
- **Transporte el cortasetos por el mango con la hoja de corte detenida.** Al transportar o almacenar el cortasetos coloque siempre la cubierta del dispositivo de corte. El manejo adecuado del cortasetos reducirá la posibilidad de lesiones personales causadas por la hoja de corte.
- **PELIGRO – Mantenga las manos alejadas de la hoja.** El contacto con la hoja puede producir lesiones personales graves.
- **Use ambas manos para operar el cortasetos.** El uso de una sola mano puede hacerle perder el control y causar lesiones personales graves.
- **Mantenga el cable de extensión alejado de la zona de corte.** Durante el funcionamiento, el cable puede quedar oculto entre los arbustos y la hoja puede cortarlo accidentalmente.
- **Sujete la herramienta eléctrica únicamente por las superficies de agarre aisladas, ya que la hoja puede entrar en contacto con cables ocultos.** La hoja que entra en contacto con un ca-



ble «vivo» puede hacer que las partes metálicas expuestas de la herramienta eléctrica estén «energizadas» y provocar una descarga eléctrica al operador.

- **No estire el cuerpo y mantenga el equilibrio en todo momento. Procure mantener siempre una posición segura en las pendientes. Cuando esté usando la herramienta, camine y nunca corra.**
- **No toque las piezas móviles peligrosas antes de desconectar el paquete de la batería y hasta que dichas piezas no se hayan detenido completamente.**
- **Use protección ocular y auditiva. Use una mascarilla si fuera necesario. Vístase adecuadamente, no use ropa holgada ni joyas que puedan engancharse en las partes móviles de la herramienta. Use siempre un calzado de seguridad, robusto y antideslizante. El pelo largo debe llevarse atado en una cola.**
- **Desconecte la herramienta de la toma de corriente:**
  1. **Siempre que vaya a dejarla desatendida;**
  2. **Antes de limpiar un atasco;**
  3. **Antes de examinar, limpiar o realizarle trabajos;**
  4. **Después de golpear un objeto extraño para examinarla y comprobar si ha sufrido daños;**
  5. **Si la herramienta empieza a vibrar de forma anómala, deténgala y examínela inmediatamente.**
- **No use la herramienta cuando hace mal tiempo, especialmente cuando existe el riesgo de tormentas eléctricas.**
- **Inspeccione el área a cortar y elimine cualquier objeto extraño que pueda presentar un peligro. Si los objetos extraños no pueden eliminarse, p. ej., vallas de alambre, márquelos y recuérdelos para evitar tocarlos durante el corte.**
- **Sujete el cortasetos correctamente**

**con ambas manos.**

## **SEGURIDAD ELÉCTRICA**

1. Se debe proporcionar protección con un interruptor de circuito de falla a tierra (GFCI) en el/los circuito/s o tomas de corriente que se usen para este cortasetos eléctrico. Hay receptáculos disponibles con protección GFCI incorporada y que pueden usarse para esta medida de seguridad.
2. Para reducir el riesgo de que se produzcan descargas eléctricas, este aparato tiene un enchufe polarizado (es decir, una clavija es más ancha que la otra). Use esta herramienta solo con un cable de extensión polarizado listado por UL, CSA o ETL recomendado para uso en exteriores y en cualquier climatología. El enchufe de la herramienta encajará en un cable de extensión polarizado en una sola dirección. Si el enchufe de la herramienta no encaja completamente en el cable de extensión, invierta el enchufe. Si aún así el enchufe no encaja, obtenga un cable de extensión polarizado correcto. Un cable de extensión polarizado requerirá el uso de una toma de corriente mural polarizada. El enchufe del cable de extensión encajará en la toma de corriente mural polarizada en una sola dirección. Si el enchufe no encaja completamente en la toma de corriente, invierta el enchufe. Si aún así el enchufe no encaja, póngase en contacto con un electricista cualificado para que instale una toma de corriente mural correcta. No modifique el enchufe de la herramienta, el receptáculo del cable de extensión o el enchufe del cable de extensión en modo alguno.
3. Para evitar descargas eléctricas, utilice la herramienta solo con un cable de extensión adecuado para uso en exteriores, como SW-A, SOW-A, STW-A, STOW-A, SJW-A, SJOW-A, SJTW-A o SJTOW-A. Antes de usar el cable de extensión, compruebe que está en buen





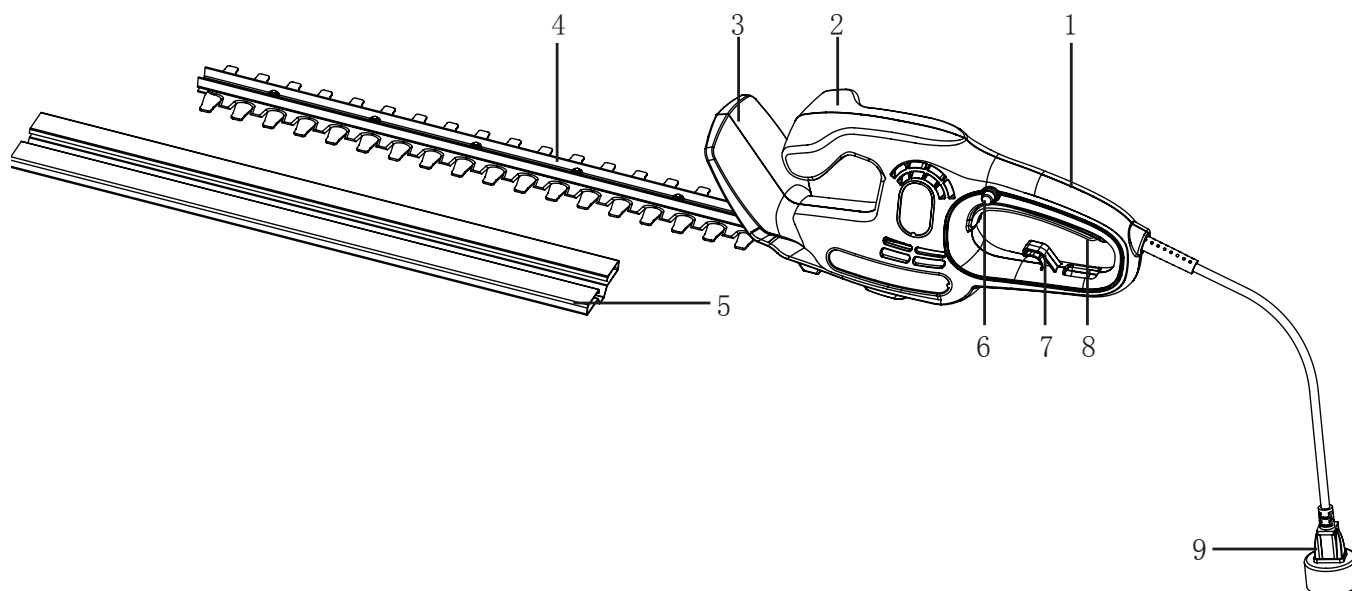
## CONOZCA SU HERRAMIENTA

### APLICACIONES

Modelo: HTE3.8-L

Como cortasetos:

- Cortar y podar setos y arbustos para uso doméstico.



1	Asa posterior	6	Botón de seguridad
2	Asa delantera	7	Gancho de sujeción del cable de extensión
3	Protección de seguridad	8	Interruptor de encendido/apagado
4	Hoja de corte	9	Cable de la herramienta
5	Cubierta de la hoja		

## ESPECIFICACIONES\*

Modelo	HTE3.8-L
Tensión nominal	120 V ~ 60 Hz
Velocidad en vacío	3600 ± 10% rpm
Longitud de corte	20 in (50,8 cm)
Abertura de diente	1,1 in (2,8 cm)
Potencia	3,8 A
Longitud de hoja	22 in (56 cm)
Diámetro de corte máximo	0,7 in (1,8 cm)
Peso	5,3 lb (2,4 kg)

\* Todas las especificaciones se basan en la información más reciente del producto, disponible al momento de la impresión. Nos reservamos el derecho de hacer cambios en cualquier momento sin previo aviso.

## MONTAJE

Este producto no requiere montaje. Retire con cuidado el producto y todos los accesorios de la caja.

Asegúrese de que estén incluidos todos los artículos que aparecen en la lista de embalaje. Inspeccione el producto detenidamente para asegurarse de que no haya ocurrido ninguna rotura o daño durante el transporte.

No deseche el material de embalaje hasta después de haber inspeccionado detenidamente y haber usado satisfactoriamente el producto. Si hay algún componente dañado o ausente, llame al 1-800-261-3981 para obtener asistencia.

### LISTA DE EMBALAJE

- 1 Cortasetos
- 1 Cubierta de hoja
- 1 Manual del usuario



### ADVERTENCIA:

El equipo y el material de embalaje no son juguetes. No deje que los niños jueguen con las bolsas plásticas, el papel de aluminio

o las piezas pequeñas. ¡Estos artículos pueden ser ingeridos y presentar un peligro de asfixia!

## CONEXIÓN A LA RED ELÉCTRICA

Este producto posee un gancho de sujeción del cable que evita que el cable de extensión pueda desconectarse durante el funcionamiento.

1. Conecte el cortasetos eléctrico solamente a una toma de corriente de 120 V que funcione utilizando un cable de alimentación de extensión robusto para exteriores.
2. Haga un bucle en el cable de extensión y empújelo hacia arriba a través del orificio en el asa y alrededor del gancho de sujeción del cable, luego conecte el cable de extensión al cable del aparato (Fig. 1).

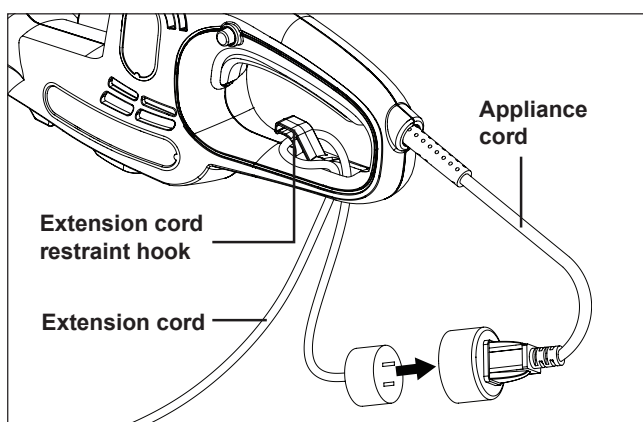


Fig. 1

## CÓMO SUJETAR LA HERRAMIENTA

### ⚠️ ADVERTENCIA:

Utilice siempre protección para los ojos, los oídos, las manos, los pies y el cuerpo para reducir el riesgo de lesiones al utilizar esta herramienta. Mantenga todas las partes del cuerpo alejadas del accesorio de corte giratorio y de superficies calientes.

### GENERAL

1. Compruebe que el producto y los accesorios no presentan daños antes de cada uso. No use el producto si está dañado o presenta signos de desgaste.
2. Vuelva a comprobar que todas las piezas están bien fijadas.
3. Sujete siempre el producto por sus asas. Mantenga las asas secas y libres de lubricante para garantizar la seguridad del agarre.
4. Verifique que las ranuras de ventilación están siempre libres de obstrucciones y limpias. Si es necesario, límpielas con un cepillo suave. Las ranuras de ventilación obstruidas pueden causar un sobrecalentamiento y dañar el producto.
5. Apague el producto inmediatamente si otras personas entran al área de trabajo mientras está usando la

- herramienta. Deje siempre que el producto se detenga completamente antes de depositarlo en el suelo.
6. No se fatigue con el trabajo. Tome descansos regulares para asegurarse de que puede concentrarse en el trabajo y tener un control total sobre la herramienta.

### ⚠️ ADVERTENCIA:

En algunos países, las regulaciones definen a qué hora del día y en qué días específicos se permite el uso del producto y qué restricciones se aplican. Pida información detallada a su comunidad y cumpla con las regulaciones con el fin de preservar la tranquilidad del vecindario y evitar incurrir en infracciones administrativas.

## ENCENDIDO Y APAGADO DE LA HERRAMIENTA

1. Para poner la herramienta en marcha, mantenga presionado el botón de seguridad y luego apriete el interruptor de encendido/apagado (Fig. 2). Cuando la hoja empiece a moverse y alcance una velocidad normal, suelte el botón de seguridad y empiece a trabajar.
2. Suelte el interruptor de gatillo para detener la herramienta.

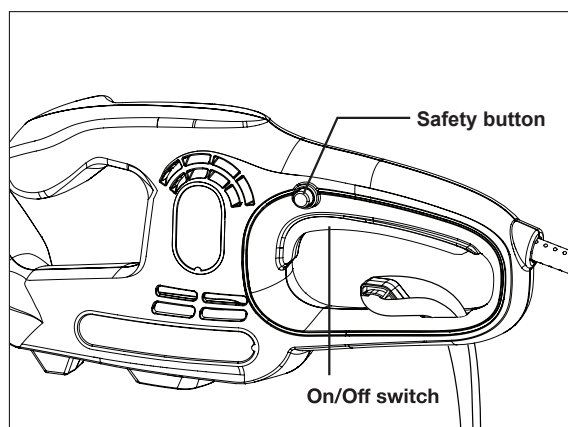


Fig. 2

NOTA: Este producto está equipado con una tecnología de frenado eléctrico. Las hojas se detienen en 3 segundos una vez que se ha soltado el interruptor de gatillo.

## PROCEDIMIENTO DE CORTE

### ⚠️ ADVERTENCIA:

Lubrique siempre la hoja de corte con un aerosol protector antes de usar y de almacenar la herramienta.

1. Inspeccione el área a cortar y elimine cualquier objeto extraño que pueda presentar un peligro. Si los objetos extraños no pueden eliminarse, p. ej., vallas de alambre, márquelos y recuérdelos para evitar to-

- carlos durante el corte.
2. Haga funcionar la herramienta a máxima velocidad antes de empezar a cortar.
  3. Mantenga el cuerpo y los pies a una distancia de seguridad del cabezal de corte.

### CONSEJOS DE CORTE

#### **ADVERTENCIA:**

No corte nunca cerca de cables o líneas eléctricas. Si la hoja se atasca en algún cable o línea eléctrica, ¡NO TOQUE LA HOJA! PUEDE CONducIR LA CORRIENTE ELÉCTRICA Y SER MUY PELIGROSA. Continúe sujetando el cortasetos por el mango trasero aislado o colóquelo lejos de usted de manera segura. Desconecte el servicio eléctrico de la línea o cable dañado antes de intentar liberar la hoja de la línea o cable. El contacto con la hoja, otras partes conductoras del cortasetos o cables o líneas eléctricas con tensión provocará la muerte por electrocución o lesiones graves.

#### **ADVERTENCIA:**

Limpie la zona de corte antes de cada uso de la herramienta. Retire todos los objetos como cables, luces, alambres o cuerdas sueltas que puedan enredarse en la hoja de corte y crear un riesgo de causar lesiones personales graves.

Antes de poner en marcha el cortasetos, sujételo con ambas manos con las hojas de corte apuntando en dirección opuesta a usted. Use el cortasetos siempre de modo correcto.

No fuerce el cortasetos en arbustos densos. Esto podría hacer que la hoja se atasque y disminuya su velocidad. Si la hoja de corte disminuye la velocidad, reduzca el ritmo de trabajo.

No intente cortar tallos o ramitas que tengan más de 3/4 (1,90 cm) de pulgada de grosor, o aquellos que obviamente sean demasiado grandes para introducirlos en la hoja de corte. Use una sierra de mano sin motor o una sierra de podar para recortar tallos grandes.

Si la hoja de corte se atasca, detenga la herramienta, deje que la hoja se detenga y desconéctela de la fuente de alimentación antes de intentar quitar la obstrucción. Si lo desea, puede usar un cordón para ayudarse a cortar el nivel del seto. Decida qué altura desea que tenga el seto.

Luego, extienda un trozo de cordón a lo largo del seto a dicha altura. Recorte el seto justo por encima de la línea guía del cordón. Recorte el lado del seto de manera que quede ligeramente más estrecho en la parte superior. Se verá más seto cuando se recorte de ese modo y quedará más uniforme.

Use siempre ambas manos para operar el cortasetos. Agarre las asas con firmeza. La herramienta se utiliza para cortar en cualquier dirección con una acción de barrido lenta de lado a lado.

Mantenga siempre ambas manos en las asas del cortasetos. No sujete nunca un arbusto con una mano mientras opera el cortasetos con la otra. Un uso incorrecto del cortasetos puede producir lesiones graves.

Use guantes para recortar arbustos espinosos.

Cuando recorte arbustos jóvenes, use una acción de barrido amplia para que los tallos entren directamente en la hoja de corte. Los arbustos más viejos poseen tallos de mayor grosor y se recortan mejor con un movimiento de aserrado.

#### **ADVERTENCIA:**



## **⚠️ ADVERTENCIA:**

Antes de realizar alguna limpieza o mantenimiento, desconecte la herramienta del suministro eléctrico.

Nunca toque la hoja de corte en movimiento.

¡Use guantes de protección!

¡Realice un mantenimiento regular y cuidadoso de este producto! Si el producto no recibe un mantenimiento adecuado, es posible que no realice correctamente la tarea prevista, lo cual puede tener consecuencias mortales.

## **⚠️ ADVERTENCIA:**

Use ropa protectora y siga todas las instrucciones de seguridad para evitar lesiones personales graves.

1. Mantenga el producto limpio. Retire los residuos del producto después de cada uso y antes de almacenarlo.
2. Una limpieza adecuada de manera regular ayudará a garantizar el uso seguro y prolongará la vida útil del producto.
3. Inspeccione el producto antes de cada uso para detectar cualquier pieza desgastada o dañada. No lo use si encuentra piezas rotas o desgastadas.

## **⚠️ ADVERTENCIA:**

¡Realice los trabajos de reparación y mantenimiento solo de conformidad con estas instrucciones! ¡Cualquier otro trabajo debe ser realizado por un especialista cualificado!

## LUBRICACIÓN DE LA HOJA DE CORTE

### **⚠️ ADVERTENCIA:**

Deje siempre que la hoja del cortasetos se detenga y retire y desconecte la herramienta de la fuente de alimentación antes de lubricar la hoja. Si no lo hace, podría provocar un arranque accidental, lo que podría causar lesiones personales graves.

Para facilitar la operación y alargar la vida útil de la hoja, lubrique la hoja del cortasetos antes y después de cada uso.

Deposite el cortasetos sobre una superficie plana. Aplique un aceite ligero para máquinas a lo largo del borde de la hoja superior.

**NOTA:** Si va a usar el cortasetos por un largo periodo de tiempo, se aconseja que lubrique la hoja periódicamente.

1. Detenga el cortasetos.
2. Desenchufe el cortasetos de la toma de corriente.  
Lubrique el cortasetos como se ha descrito con anterioridad (Fig. 3).

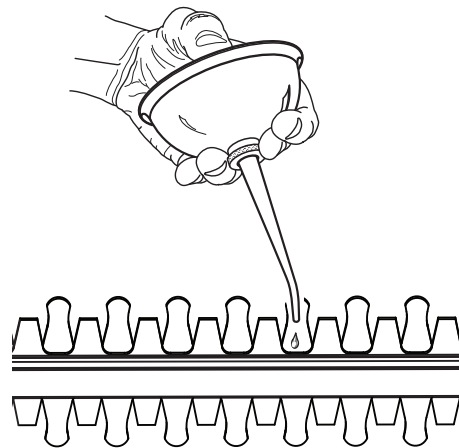


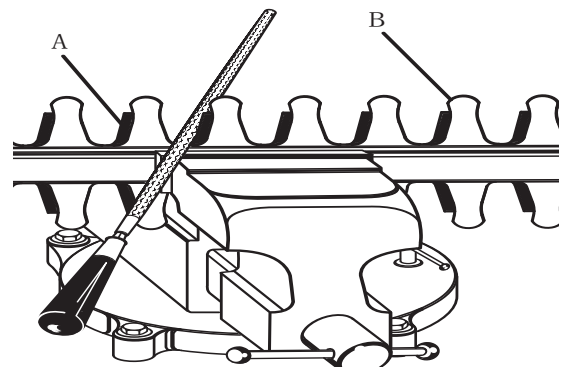
Fig. 3

## AFILADO DE LA HOJA

Deje que las cuchillas del cortasetos se detengan en la posición que se muestra. Esto dejará un espacio libre para la lima entre los dientes del cortador y los dientes de protección.

Desconecte el cortasetos de la alimentación eléctrica. Sujete el conjunto de la hoja en un tornillo de banco y lime la superficie de corte expuesta de cada diente de la hoja con una lima redonda lisa de 8 in, 1/4 in o 7/32 in de diámetro. Asegúrese de conservar el ángulo original del diente cuando lo lime.

Retire el cortasetos del tornillo de banco y reinicie el cortasetos. Deje que las hojas del cortasetos se detengan para que los bordes sin afilar del otro lado de los dientes de la hoja de corte queden expuestos (Fig.4).



A - Dientes de corte  
B - Dientes de protección

Fig. 4

### LIMPIEZA

#### **ADVERTENCIA:**

Apague siempre el producto, desconéctelo del suministro eléctrico y deje que se enfríe antes de realizar trabajos de inspección, mantenimiento y limpieza.

Use un cepillo pequeño para limpiar la superficie exterior del equipo. No use detergentes fuertes. Los limpiadores domésticos que contienen aceites aromáticos, como pino y limón, y solventes tales como el queroseno, pueden dañar el plástico. Seque cualquier humedad con un paño suave.

Inspeccione el producto antes y después de cada uso para detectar cualquier pieza desgastada o dañada. No use el equipo si encuentra piezas dañadas o desgastadas.

**NOTA:** Si la hoja se bloquea debido a objetos externos durante el funcionamiento, detenga el producto, espere a que la hoja se detenga completamente, elimine los objetos externos y limpie la hoja.

#### **ADVERTENCIA:**

¡Realice los trabajos de reparación y mantenimiento solo de conformidad con estas instrucciones! ¡Cualquier otro trabajo debe ser realizado por un especialista cualificado!

### ALMACENAMIENTO

1. Limpie el producto como se describió anteriormente.
2. Almacene el producto y sus accesorios en un lugar oscuro, seco, sin heladas y bien ventilado.
3. Almacene siempre el producto en un lugar al que no puedan acceder los niños. La temperatura de almacenamiento ideal es entre 50 °F (10 °C) y 86°F (30°C).
4. Recomendamos usar el embalaje original para el almacenamiento, cubrir el producto con un paño adecuado o colocarlo en un lugar cerrado para protegerlo del polvo.

### TRANSPORTE

1. Limpie el producto como se describió anteriormente.
2. Transporte siempre el producto agarrando su asa.
3. Proteja el producto contra los impactos de objetos pesados o contra las vibraciones intensas que puedan ocurrir durante el transporte en un vehículo.
4. Sujete el producto para evitar que resbale o se caiga, se dañe o cause lesiones.



El producto se entrega en un embalaje que lo protege contra el daño durante el transporte. Conserve el embalaje hasta que esté seguro de que todas las piezas se han entregado y que el producto funciona correctamente. Recicle el embalaje posteriormente.

Los productos caducados son potencialmente reciclables en virtud de la Directiva de residuos de aparatos eléctricos y electrónicos (WEEE) (2012/19/EU) y, por tanto, no se deben desechar

con los desperdicios domésticos. Se le pide que nos ayude a contribuir al ahorro de recursos y a proteger el medio ambiente llevando este aparato a un centro de recogida equipado (de existir)

## SOLUCIÓN DE PROBLEMAS

PROBLEMA	POSIBLE CAUSA	SOLUCIÓN
El producto no arranca	El cable de extensión no está conectado al enchufe.	Verifique que el cable de extensión está completamente conectado a la herramienta.
	El cable de extensión no está conectado a la toma de corriente.	Verifique que el cable de extensión está completamente conectado a un receptáculo bajo tensión.
	El botón de seguridad del interruptor de gatillo no está totalmente activado.	Consulte el apartado «ENCENDIDO Y APAGADO DE LA HERRAMIENTA»
La herramienta no alcanza su máxima potencia.	Las ranuras de ventilación están bloqueadas.	Limpie las ranuras de ventilación.
El resultado no es satisfactorio.	El accesorio de corte está desgastado.	Sustitúyalo por uno nuevo.
	Las hojas u hoja de soporte están dobladas.	Enderece la hoja u hoja de soporte.
El vibración o ruido es excesivo.	Los pernos o las tuercas están flojos.	Apriete los pernos o las tuercas.

Si necesita asistencia adicional, lleve el equipo a un proveedor de servicio cualificado.

# GARANTÍA

## GARANTÍA LIMITADA DE DOS AÑOS

Garantía limitada de 2 años en todos los equipos eléctricos para exteriores de la serie Senix E.

DURANTE DOS AÑOS a partir de la fecha original de compra al por menor, este producto Senix está garantizado contra defectos de materiales o mano de obra en herramientas eléctricas. Los productos defectuosos serán reparados gratuitamente.\*

Esta garantía no cubre el desgaste normal de piezas y componentes tales como cadenas de corte, hilo u hojas ni cubre el costo de transporte del producto para la garantía o el servicio.

La garantía está sujeta a las siguientes condiciones:

- La garantía se aplica al comprador original al por menor y no es transferible \*
- Registro de garantía en [www.senixtools.com](http://www.senixtools.com)
- La herramienta no ha sido utilizada de modo incorrecto, maltratada, descuidada, alterada, modificada o reparada por nadie que no sea un centro de servicio autorizado.
- Solo se han utilizado accesorios originales de Senix con este producto.
- La herramienta ha sido sometida a un desgaste normal.
- La herramienta no se ha utilizado con fines comerciales o profesionales.
- La herramienta no se ha alquilado.
- Esta garantía solo cubre los defectos que surjan con el uso normal y no cubre ningún funcionamiento defectuoso, falla o defecto resultante de un mal uso, abuso (incluida la sobrecarga del producto, exposición al agua o lluvia), accidentes, negligencia o falta de instalación adecuada y mantenimiento o almacenamiento incorrectos.

Para localizar a su proveedor de servicios Senix más cercano, llame gratis al 800-261-3981 o envíenos un correo electrónico a [service@senixtools.com](mailto:service@senixtools.com).

## Limitaciones adicionales

Cualquier garantía implícita otorgada bajo la ley estatal, incluidas las garantías de comerciabilidad o idoneidad para un propósito particular, está limitada a tres años a partir de la fecha de compra en herramientas eléctricas y cargadores y siete años en baterías. El fabricante no es responsable por daños directos, indirectos, incidentales o consecuentes. Algunos estados y provincias no permiten limitaciones sobre la duración de una garantía implícita y/o no permiten la exclusión o limitación de daños incidentales, por lo que es posible que las limitaciones y exclusiones anteriores no se apliquen en su caso. Esta garantía le otorga derechos legales específicos y también puede tener otros derechos que varían de un estado a otro o de una provincia a otra.

YAT USA declina cualquier responsabilidad con respecto a la responsabilidad civil que surja del uso abusivo o no conforme con el uso y mantenimiento adecuados de la herramienta como se describe en el manual del operador. YAT USA no es responsable por daños directos, indirectos, incidentales o consecuentes.

Después de la compra, el fabricante recomienda el mantenimiento adecuado de la herramienta y leer el manual del operador antes de usarla.

\* Es posible que se requiera el recibo de compra original como prueba de compra.

Para obtener el servicio al cliente, comuníquese con nosotros llamando al número gratuito 1-800-261-3981 o en [Senixtools.com](http://Senixtools.com).

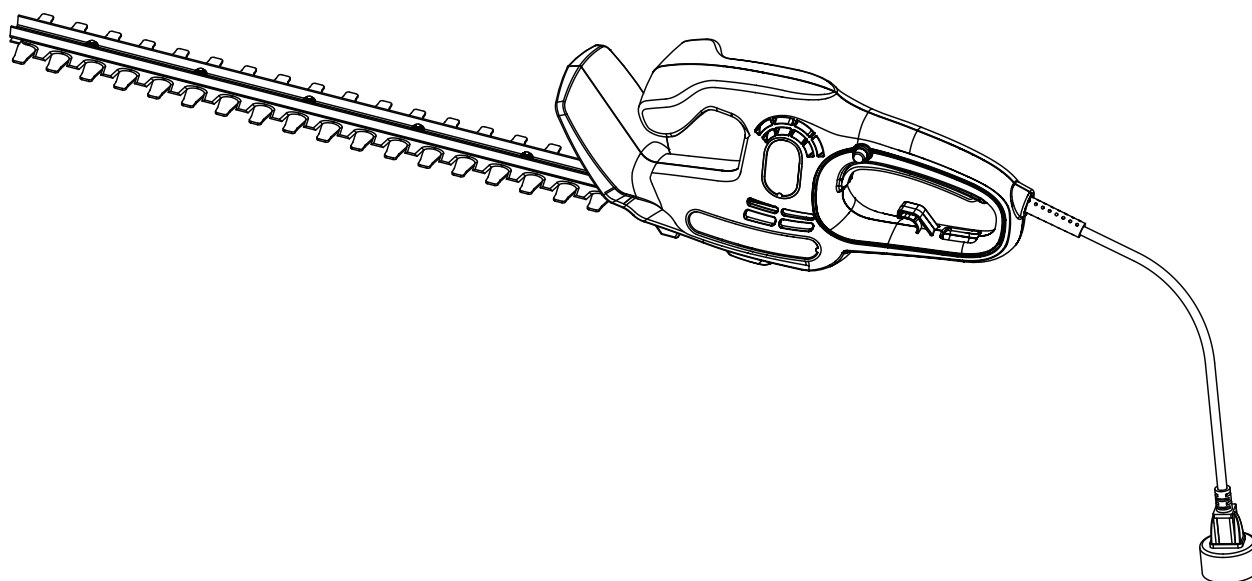
YAT USA, Inc. 6441 Hendry Road, Suite A, Charlotte, NC 28269



---

# TAILLE-HAIE ÉLECTRIQUE

Mode d'emploi  
Modèle : HTE3.8-L



## • SÉCURITÉ ET SYMBOLES INTERNATIONAUX •

Les symboles et pictogrammes de sécurité internationaux qui peuvent apparaître sur le produit sont décrits dans ce mode d'emploi. Lisez ce mode d'emploi afin de prendre connaissance de l'intégralité des informations relatives à la sécurité, au montage, au fonctionnement, à l'entretien et à la réparation de l'outil.



Ce pictogramme, lorsqu'il est accompagné des mentions AVERTISSEMENTS, DANGER OU ATTENTION, attire votre attention sur une action ou une circonstance susceptible d'entraîner de GRAVES BLESSURES.



Toutes les personnes tierces doivent se tenir à 15 mètres au moins de l'utilisateur.



Pour réduire le risque de blessure, l'utilisateur doit lire le mode d'emploi.



Ne pas exposer à la pluie.



Portez toujours des protections pour les yeux.



Les objets projetés peuvent ricocher et entraîner des blessures ou des dégâts matériels.



Portez des chaussures de protection antidérapantes.



Le produit est conforme aux directives européennes en vigueur et une méthode d'évaluation de la conformité à ces directives a été appliquée.



Portez des gants.



Protection de classe II.



Portez toujours des protections auditives.



Les produits électriques usagés ne doivent pas être jetés avec les ordures ménagères. Ils doivent être recyclés dans les points de collecte prévus à cet effet.

Adressez-vous aux collectivités locales ou à votre vendeur pour vous informer sur le recyclage.



Tout contact des mains avec la lame entraînera de graves blessures.



Débranchez immédiatement l'appareil si le câble d'alimentation ou la rallonge sont abîmés ou entaillés.

## TABLE DES MATIÈRES

SÉCURITÉ .....	35
DESCRIPTION DE VOTRE OUTIL .....	40
SPÉCIFICATIONS* .....	41
MONTAGE.....	42
FONCTIONNEMENT.....	43
FONCTIONNEMENT.....	44
ENTRETIEN .....	45
NETTOYAGE ET RANGEMENT .....	46
DÉPANNAGE .....	47
GARANTIE .....	48

## SÉCURITÉ

### AVERTISSEMENTS GÉNÉRAUX RELATIFS AUX OUTILS ÉLECTRIQUES



#### AVERTISSEMENT

Lisez tous les avertissements de sécurité et toutes les consignes. Le non-respect des avertissements et consignes peut entraîner une électrocution, un incendie et/ou de graves blessures.

**Conservez ces avertissements et instructions pour pouvoir vous y reporter ultérieurement.**

Dans les avertissements, l'expression « outil électrique » désigne votre outil branché sur secteur (filaire) ou fonctionnant avec des batteries (sans fil).

#### 1) Sécurité de l'environnement de travail

- a) **Travaillez dans un environnement propre et bien éclairé.** *Les zones encombrées ou sombres sont propices aux accidents.*
- b) **N'utilisez pas d'outils électriques dans des atmosphères explosives (en présence de liquides, gaz ou poussières inflammables, par exemple).** *Les outils électriques génèrent des étincelles susceptibles d'enflammer les poussières ou les fumées.*
- c) **Les enfants et spectateurs doivent être tenus à bonne distance de l'outil**

*en marche. L'utilisateur ne doit pas être distrait, sous peine de perdre le contrôle de l'outil.*

#### 2) Sécurité électrique

- a) **Les fiches de l'outil électrique doivent être compatibles avec la prise de courant utilisée. Ne modifiez jamais la fiche de l'outil de quelque manière que ce soit. N'utilisez pas d'adaptateurs avec des outils électriques mis à la terre.** *L'utilisation des fiches d'origine et de prises de courant compatibles réduit le risque d'électrocution.*
- b) **Évitez tout contact avec les surfaces reliées à la terre telles que les tuyaux, radiateurs, gazinières et réfrigérateurs.** *Le risque d'électrocution est plus élevé si votre corps est relié à la terre.*
- c) **N'exposez pas les outils électriques à la pluie ou à des conditions humides.** *Le risque d'électrocution augmente si l'eau pénètre dans un outil électrique.*
- d) **Ne forcez pas sur le câble. N'utilisez jamais le câble pour porter, traîner ou débrancher l'outil. Conservez le câble à distance de la chaleur, de l'huile, des arêtes tranchantes et des pièces en mouvement.** *Le risque d'électrocution est plus élevé en présence de câbles abîmés ou emmêlés.*
- e) **Lorsque vous utilisez l'outil à l'extérieur, utilisez une rallonge adaptée à un usage en extérieur.** *L'utilisation d'un*



*câble adapté aux travaux en extérieur réduit le risque d'électrocution.*

- f) **S'il est absolument nécessaire d'utiliser l'outil électrique dans un milieu humide, la source d'alimentation doit être protégée par un disjoncteur différentiel.** *L'utilisation d'un disjoncteur différentiel réduit le risque d'électrocution.*

### 3) Sécurité personnelle

- a) **Restez concentré, regardez ce que vous êtes en train de faire et faites preuve de bon sens lorsque vous utilisez un outil électrique. N'utilisez pas d'outils électriques si vous êtes fatigué ou avez consommé des drogues, de l'alcool ou pris des médicaments.** *Un instant d'inattention lors de l'utilisation d'outils électriques peut entraîner de graves blessures.*

- b) **Utilisez des équipements de protection individuelle. Portez toujours des protections pour les yeux.** *Le port d'équipements de protection (masque antipoussière, chaussures de sécurité antidérapantes, casque ou protection auditive, par exemple) adaptés aux conditions de travail réduit le risque de blessures.*

- c) **Évitez tout démarrage accidentel. Assurez-vous que l'interrupteur est en position arrêt avant de relier l'outil à une source d'alimentation et/ou à une batterie, et avant de saisir ou de transporter l'outil.** *Le fait de porter un outil électrique avec le doigt sur le bouton marche/arrêt ou de le brancher alors qu'il est allumé est source d'accidents.*

- d) **Retirez les clés de réglage ou à molette avant d'allumer l'outil.** *Une clé à molette ou une autre clé oubliée sur une partie en rotation de l'outil peut entraîner des blessures.*

- e) **Ne vous penchez pas trop. Restez toujours d'aplomb et gardez bien l'équilibre.** *Cela permet de mieux maîtriser l'outil en cas d'imprévu.*

- f) **Portez des vêtements adaptés. Ne**

**portez pas de vêtements amples ni de bijoux. Maintenez vos cheveux, vêtements et gants à l'écart des parties en mouvement.** *Les vêtements amples, les bijoux et les cheveux longs peuvent se coincer dans les parties en mouvement.*

- g) **Si des pièces sont fournies pour connecter des dispositifs d'extraction et de récupération de poussières, veillez à ce que ces dispositifs soient connectés et utilisés correctement.** *L'utilisation d'un dispositif de récupération des poussières peut réduire les risques liés à ces poussières.*

### 4) Utilisation et entretien de l'outil

- a) **Ne forcez pas sur l'outil. Utilisez l'outil électrique adapté aux travaux à effectuer.** *Vous obtiendrez de meilleurs résultats et prendrez moins de risque si vous utilisez les outils dans le but pour lequel ils sont conçus.*

- b) **N'utilisez pas l'outil si le bouton marche/arrêt ne fonctionne pas.** *Tout outil que l'on ne peut pas contrôler à l'aide du bouton marche/arrêt est dangereux et doit être réparé.*

- c) **Débranchez la fiche de la source d'alimentation et/ou retirez les batteries de l'outil avant d'effectuer des réglages, de changer les accessoires ou de ranger l'outil.** *Ces précautions permettent de réduire le risque de démarrage accidentel.*

- d) **Rangez les outils électriques hors de portée des enfants. Toute personne doit connaître l'outil et avoir lu le présent mode d'emploi pour pouvoir utiliser l'outil.** *Les outils électriques sont dangereux lorsqu'ils sont utilisés par des utilisateurs non avertis.*

- e) **Entretenez les outils électriques. Vérifiez que les pièces mobiles ne sont pas mal alignées, coincées ou cassées, et qu'aucun autre élément n'influence le bon fonctionnement de l'outil.** *Si l'outil est endommagé, faites-le réparer avant de l'utiliser. De*

*nombreux accidents sont dus à des outils mal entretenus.*

- f) **Veillez à ce que les accessoires de coupe soient toujours aiguisés et propres.** *Des outils de coupe correctement entretenus avec des bords tranchants sont moins susceptibles de se coincer et plus faciles à maîtriser.*
- g) **Utilisez l'outil et les accessoires conformément au présent mode d'emploi et en tenant compte de l'environnement de travail et des travaux à réaliser.** *Toute utilisation de l'outil autre que celle pour laquelle il est prévu peut donner lieu à des situations dangereuses.*
- 5) **Utilisation et entretien des outils électriques fonctionnant sur batterie**
- a) **La batterie ne doit être rechargée qu'avec le chargeur indiqué par le fabricant. Un chargeur peut présenter un risque d'incendie s'il est utilisé avec un autre type de batterie que celui pour lequel il est prévu.**
- b) **Un outil doit toujours être utilisé avec la batterie qui lui est spécifiquement destinée. L'utilisation de toute autre batterie comporte un risque de blessure et d'incendie.**
- c) **Quand la batterie n'est pas utilisée, elle doit être rangée loin de tout objet métallique : trombones, pièces de monnaie, clefs, clous, vis et tout autre petit objet métallique qui risquerait de mettre en contact ses bornes. Un court-circuit entre les bornes de la batterie peut provoquer des brûlures ou un incendie.**
- d) **Si la batterie est soumise à des conditions d'utilisation excessives, du liquide peut s'en échapper. Évitez tout contact avec ce liquide. Si ce liquide entre accidentellement en contact avec la peau, rincez-la à grande eau. En cas de contact avec les yeux, consultez également un médecin. Le liquide qui s'échappe de la batterie peut provoquer des irritations**

**et des brûlures.**

## 6) Entretien

Faites appel à une personne qualifiée pour réparer votre outil et n'utilisez que des pièces détachées identiques aux pièces d'origine. Ces précautions permettent de garantir que l'outil reste sûr.

## CONSIGNES DE SÉCURITÉ SPÉCIFIQUES AUX TAILLE-HAIE

- **Aucune partie du corps ne doit s'approcher des lames de coupe. Ne retirez pas les déchets de coupe et ne tenez pas les végétaux à couper alors que les lames sont en mouvement. Assurez-vous que l'interrupteur marche/arrêt est en position d'arrêt avant de retirer les végétaux des lames. Un simple moment d'inattention lors de l'utilisation du taille-haie suffit pour provoquer de graves blessures.**
- **Prenez le taille-haie par la poignée une fois que la lame s'est complètement immobilisée. Remplacez toujours le fourreau sur la lame avant de transporter ou de ranger le taille-haie. Une manipulation correcte du taille-haie réduit le risque de se blesser avec les lames de coupe.**
- **DANGER : n'approchez pas vos mains de la lame. Tout contact avec la lame entraînera des blessures graves.**
- **Utilisez vos deux mains pour faire fonctionner le taille-haie. L'utilisation de l'outil à une seule main peut entraîner une perte de contrôle et de graves blessures.**
- **Gardez la rallonge à distance de la zone de coupe. Lors de l'utilisation de l'outil, le câble peut être caché par des arbustes et être accidentellement sectionné par la lame.**
- **L'outil ne doit être manipulé qu'à l'aide de surfaces isolées et adhérentes car la lame est susceptible d'entrer en contact avec des fils cachés sous tension. Si les lames de coupe entrent en**

contact avec un fil sous tension, les parties métalliques exposées de l'outil peuvent être mises sous tension et électrocuter l'utilisateur.

- **Ne vous penchez pas trop et gardez toujours un bon équilibre. Veillez à porter des chaussures adaptées en cas de travaux dans une pente. Utilisez l'outil en marchant, jamais en courant.**
- **Ne touchez pas les pièces mobiles dangereuses tant que la batterie n'a pas été enlevée et que les pièces mobiles dangereuses ne se sont pas complètement arrêtées.**
- **Portez systématiquement des protections pour les yeux et les oreilles. Portez un masque de protection si nécessaire. Portez des vêtements adaptés : évitez les vêtements amples ou les bijoux qui pourraient se coincer dans les parties en mouvement de l'outil. Portez toujours des chaussures de sécurité solides et antidérapantes. Les cheveux longs doivent être attachés.**
- **Débranchez l'appareil :**
  1. **Avant de laisser la machine sans surveillance ;**
  2. **Avant d'enlever des végétaux à l'origine d'un blocage ;**
  3. **Avant toute manipulation de vérification, de nettoyage ou de réglage sur la machine ;**
  4. **Pour vérifier si la machine est endommagée après que celle-ci a heurté un objet étranger ;**
  5. **Si la machine se met à vibrer de manière anormale, arrêtez-la et examinez-la immédiatement.**
- **N'utilisez pas l'outil en cas d'intempéries, notamment s'il y a un risque d'orage.**
- **Inspectez la zone de coupe et retirez tout objet étranger susceptible de gêner votre travail. Si les objets étrangers ne peuvent être retirés (clôtures électriques, par exemple), rappelez-vous de leur emplacement pour**

**éviter de les toucher lors de la coupe.**

- **Tenez le taille-haie correctement, avec vos deux mains.**

## **SÉCURITÉ ÉLECTRIQUE**

1. Une protection par disjoncteur différentiel de fuite à la terre (DDFT) doit être présente sur le ou les circuits ou prises à utiliser pour ce taille-haie électrique. Des prises avec une protection DDFT intégrée sont disponibles et peuvent être utilisées.
2. Afin de réduire le risque de choc électrique, cet appareil est équipé d'une fiche polarisée (c'est-à-dire avec une broche plus large que l'autre). Utilisez cet appareil uniquement avec une rallonge à fiche polarisée, homologuée UL, CSA ou ETL et pour une utilisation à l'extérieur et par tout temps. La fiche de l'appareil ne peut être branchée sur une rallonge polarisée que dans un seul sens. Si la fiche ne rentre pas complètement dans la prise de la rallonge, retournez-la. Si la fiche ne rentre toujours pas, procurez-vous une rallonge polarisée adéquate. L'utilisation d'une rallonge polarisée suppose l'utilisation d'une prise de courant également polarisée. La fiche de la rallonge ne peut rentrer dans une prise de courant polarisée que dans un seul sens. Si la fiche ne rentre pas complètement dans la prise de courant, retournez-la. Si la fiche ne rentre toujours pas, faites appel à un électricien qualifié pour faire installer une prise de courant adéquate. N'essayez en aucun cas de modifier la fiche de l'appareil, la prise de la rallonge ou la fiche de la rallonge de quelque manière que ce soit.
3. Afin de réduire le risque de décharge électrique, utilisez exclusivement une rallonge adaptée à une utilisation en extérieur, p. ex. : SW-A, SOW-A, STW-A, STOW-A, SJW-A, SJOW-A, SJTW-A, or SJTOW-A. Avant usage, assurez-vous que la rallonge est en bon état. Si vous utilisez une rallonge, assurez-vous que

celle-ci est de calibre suffisant pour la consommation électrique de votre appareil. Une rallonge de calibre insuffisant peut entraîner une chute de tension, avec pour résultat une perte de puissance et un risque de surchauffe.

## RALLONGES

**Utilisez une rallonge adaptée. Utilisez UNIQUEMENT** des câbles listés par Underwriters Laboratories (UL). Tout autre rallonge entraînera une chute de tension dans les lignes, avec pour résultat une perte de puissance et une surchauffe de l'outil.

Pour cet outil, une taille AWG (American Wire Gauge) d'au moins 14 calibres est recommandée pour une rallonge d'une longueur inférieure ou égale à 7,6 m (25 pi). Utilisez un calibre 12 pour une rallonge de 15 m (50 pi). Il est déconseillé d'utiliser une rallonge de 30 m (100 pi) ou plus.

Gardez à l'esprit **qu'un fil d'un plus petit calibre a une plus grande capacité qu'un fil de plus grand calibre** (un fil de calibre 14 a davantage de capacité qu'un fil de calibre 16, un fil de calibre 12 davantage qu'un fil de calibre 14). En cas de doute, utilisez le plus petit chiffre.

## RALLONGES

Volts Longueur totale de la rallonge en pieds

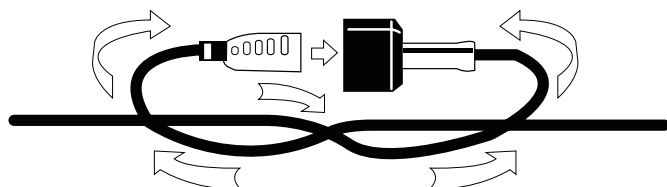
120 V	25	50	100	150
-------	----	----	-----	-----

## Intensité nominale

>/≤ AWG

0-6	18	16	16	14
6-10	18	16	14	12
10-12	16	16	14	12
12-16	14	12	Non recommandé	

## SÉCURISATION DE LA RALLONGE



## ! ATTENTION

Gardez la rallonge à l'écart de la zone de travail. Disposez la rallonge de manière à ce qu'elle ne se coince pas dans les buissons, les haies, les troncs d'arbres, les tondeuses à gazon ou autres obstacles pendant que vous travaillez avec le taille-haie.

## ! AVERTISSEMENT

Examinez la rallonge avant chaque utilisation. Si elle est endommagée, remplacez-la immédiatement. N'utilisez jamais un outil avec un câble endommagé car tout contact avec la partie endommagée pourrait provoquer un choc électrique et de graves blessures.

## UTILISATION PRÉVUE

L'outil est conçu pour tailler les haies, arbustes et buissons. Ne coupez pas des branches de plus de 18 mm de large (largeur de coupe maximale). Ce produit est exclusivement prévu pour une utilisation domestique et privée. Il ne doit pas être utilisé dans un contexte commercial. Il ne doit pas être utilisé à d'autres fins que celles décrites.

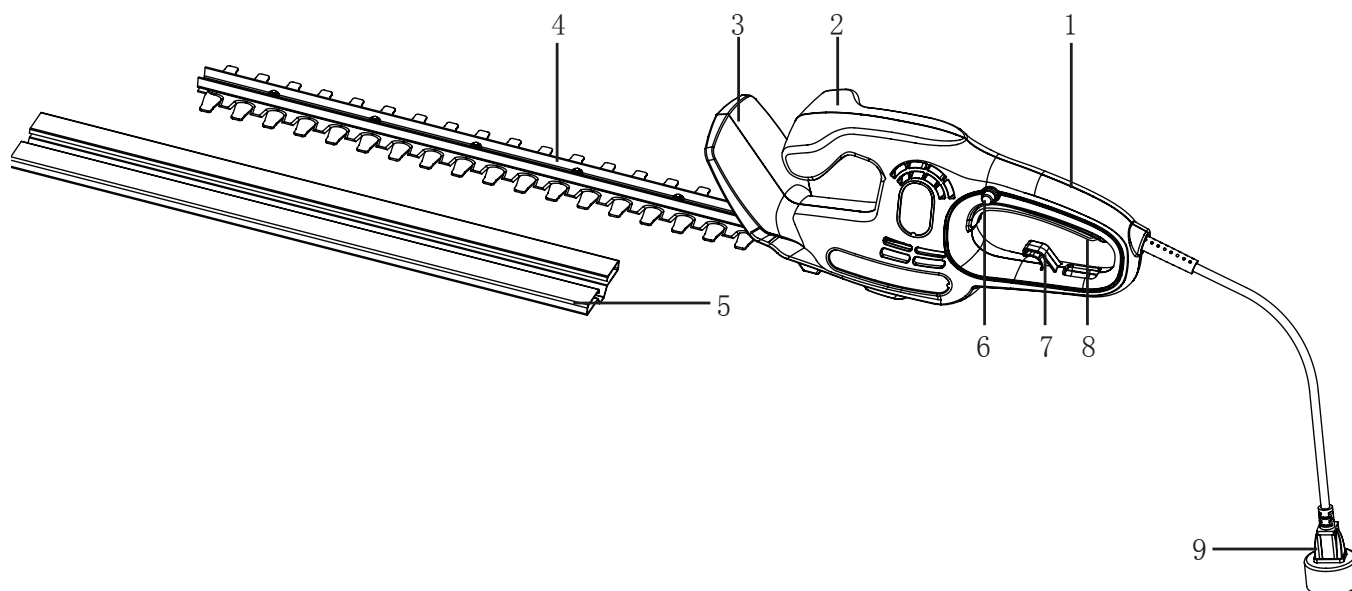
## DESCRIPTION DE VOTRE OUTIL

### APPLICATIONS

Modèle : HTE3.8-L

Utilisation comme taille-haie :

- Usage domestique pour la coupe et la taille des haies, arbustes et buissons.



1	Poignée arrière	6	Bouton de sécurité
2	Poignée avant	7	Crochet de retenue de la rallonge
3	Protège-main	8	Interrupteur marche/arrêt
4	Lame de coupe	9	Câble d'alimentation
5	Fourreau de la lame		

## SPÉCIFICATIONS\*

Modèle	HTE3.8-L
Tension nominale	120 V ~ 60 Hz
Vitesse de rotation à vide	3600 ± 10% tr/min
Longueur de coupe	20 pouces (50,8 cm)
Distance entre les dents	1,1 pouce (2,8 cm)
Alimentation	3,8 A
Longueur de la lame	22 pouces (56 cm)
Diamètre max. de coupe	0,7 pouce (1,8 cm)
Poids	2,4 kg

\* Toutes les spécifications sont basées sur les dernières informations produit disponibles au moment de l'impression. Nous nous réservons le droit de les modifier sans préavis.



## MONTAGE

Ce produit n'a pas besoin d'être monté. Retirez le produit et les accessoires de la boîte avec précaution. Assurez-vous que l'ensemble des éléments énumérés dans la liste du contenu sont inclus. Examinez soigneusement le produit afin de vous assurer qu'aucune des pièces n'a été cassée ou endommagée au cours de l'expédition.

Ne jetez pas l'emballage avant de vous être assuré que l'outil est en bon état et fonctionne correctement. Si des pièces sont abîmées ou manquantes, appelez le 1-800-261-3981 pour obtenir de l'aide.

### LISTE DE COLISAGE

- 1 taille-haie
- 1 fourreau de lame
- 1 mode d'emploi

### **AVERTISSEMENT :**

L'équipement et le matériel d'emballage ne sont pas des jouets. Ne laissez pas les enfants jouer avec les sacs en plastique, les emballages en aluminium ou les petites pièces. Ces articles peuvent être avalés et présentent un risque d'étouffement !



## BRANCHEMENT À L'ALIMENTATION

Ce produit est conçu avec un crochet porte-câble permettant d'éviter que la rallonge ne se débranche en cours d'usage.

1. Branchez le taille-haie électrique uniquement sur une prise de 120 V en état de marche via une rallonge électrique d'extérieur robuste.
2. Faites une boucle à la rallonge, faites-la passer par le trou de la poignée de bas en haut, puis accrochez-la au crochet, et pour finir branchez la fiche de l'appareil sur la prise de la rallonge (Fig. 1).

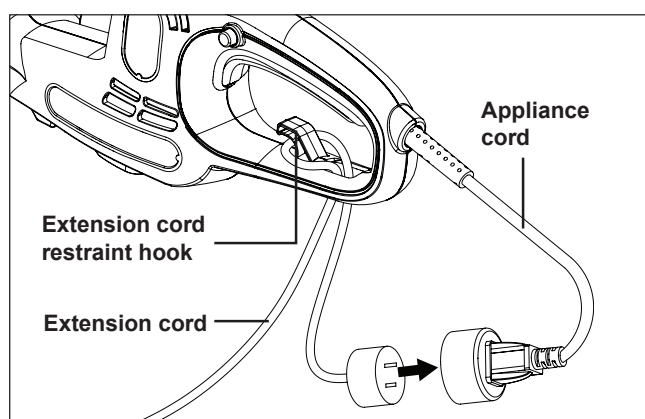


Fig. 1

## SAISIE DE L'APPAREIL

### ⚠ AVERTISSEMENT :

Portez toujours des protections pour les yeux, les oreilles, les mains, les pieds et le corps afin de réduire le risque de blessure lors de l'utilisation de l'outil. Faites attention à n'approcher aucune partie du corps de l'organe de coupe en mouvement et des pièces très chaudes.

## GÉNÉRALITÉS

1. Inspectez l'outil et ses accessoires avant chaque utilisation pour vérifier qu'ils ne sont pas abîmés. N'utilisez pas l'outil si celui-ci présente des signes de détérioration ou d'usure.
2. Vérifiez que tous les composants sont bien fixés.
3. Tenez toujours l'outil par ses poignées. Assurez-vous que les poignées restent sèches et non grasses afin de garantir une bonne prise en main.
4. Vérifiez que les ouvertures d'aération sont dégagées. Si nécessaire, nettoyez-les à l'aide d'une brosse à poils souples. Des ouvertures d'aération obstruées peuvent entraîner une surchauffe de l'outil et le détériorer.
5. Éteignez immédiatement l'outil si vous êtes distrait par des personnes qui pénètrent dans la zone de travail. Laissez toujours l'outil s'arrêter complètement

avant de le poser.

6. Ne vous surmenez pas. Prenez régulièrement des pauses pour pouvoir vous concentrer sur les travaux et garantir une bonne maîtrise de l'outil.

### ⚠ AVERTISSEMENT :

Dans certains pays, des réglementations définissent les horaires et les jours spéciaux pendant lesquels ce type de produit peut être utilisé, ainsi que les restrictions d'utilisation en vigueur. Renseignez-vous auprès des autorités de votre commune et respectez les réglementations ; vous éviterez ainsi de commettre des infractions administratives et d'entrer en conflit avec vos voisins.

## ALLUMER ET ÉTEINDRE L'OUTIL

1. Pour démarrer l'outil, appuyez sur le bouton de sécurité et gardez-le enfoncé, puis enfoncez l'interrupteur marche/arrêt (Fig. 2). Lorsque la lame commence à tourner et atteint sa vitesse normale, relâchez le bouton de sécurité ; vous pouvez maintenant commencer le travail.
2. Relâchez la gâchette marche/arrêt pour éteindre le moteur.

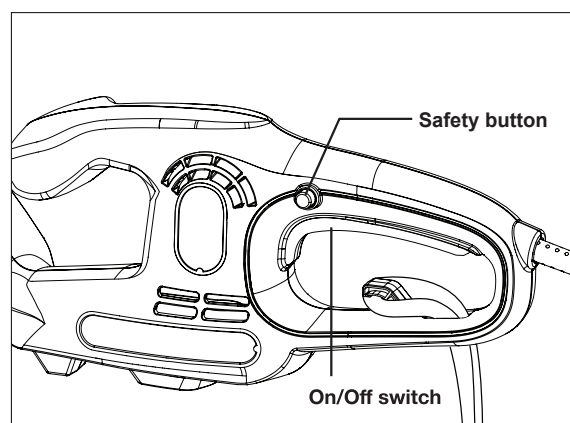


Fig. 2

REMARQUE : Ce produit est équipé d'une technologie de freinage électrique.

Les lames s'arrêtent 3 secondes après que l'interrupteur à gâchette est relâché.

## PROCÉDURE DE COUPE

### ⚠ AVERTISSEMENT :

Lubrifiez toujours la lame avec un spray protecteur avant d'utiliser et de ranger l'outil.

1. Inspectez la zone de coupe et retirez tout objet étranger susceptible de gêner votre travail. Si les objets étrangers ne peuvent être retirés (clôtures électriques, par exemple), rappelez-vous de leur emplacement pour éviter de les toucher lors de la coupe.
2. Faites en sorte que l'outil atteigne son plein régime

avant de tailler.

3. Gardez votre corps et vos pieds à bonne distance de la lame de coupe.

### CONSEILS DE COUPE

#### **AVERTISSEMENT :**

Ne coupez jamais à proximité de câbles ou de fils électriques. Si la lame se coince sur un câble ou un fil électrique, **NE TOUCHEZ PAS LA LAME ! IL EST POSSIBLE QU'ELLE SOIT SOUS TENSION, ET DONC TRÈS DANGEREUSE.** Continuez à tenir le taille-haie à l'aide de la poignée arrière isolée ou posez l'outil loin de vous pour assurer votre sécurité. Débranchez l'alimentation électrique du câble ou du fil endommagé avant de tenter de retirer la lame. Tout contact avec la lame, avec d'autres parties conductrices de l'outil ou avec des câbles ou fils électriques entraînera la mort par électrocution ou de graves blessures.

#### **AVERTISSEMENT :**

Nettoyez la zone de travail avant chaque utilisation de l'outil. Retirez tous les objets comme les câbles, lumières, fils ou morceaux de ficelle susceptibles de se prendre dans la lame de coupe et créer ainsi un risque de blessure grave.

Avant de démarrer le taille-haie, prenez l'outil avec vos deux mains et avec la lame orientée vers l'extérieur par rapport à vous. Utilisez toujours le taille-haie correctement.

Ne forcez pas sur l'outil pour couper de gros massifs. Les lames pourraient se plier et ralentir. Si les lames ralentissent, réduisez la vitesse.

N'essayez pas de couper des branches ou des tiges de plus de 2 cm d'épaisseur ou qui sont visiblement trop épaisses pour la lame de coupe. Utilisez une scie manuelle ou d'élagage pour couper les grosses branches.

Si les lames se bloquent, éteignez l'appareil, attendez l'arrêt complet des lames et débranchez l'outil avant d'essayer de retirer les végétaux à l'origine de l'obstruction.

Si vous le souhaitez, vous pouvez utiliser une ficelle pour vous aider à couper votre haie bien droite. Décidez à quelle hauteur vous souhaitez couper votre haie. Tendez ensuite une ficelle le long de la haie, à cette hauteur. Coupez la haie juste au-dessus de ce repère. Coupez le côté de la haie de sorte qu'elle soit légèrement plus étroite en haut. Avec cette forme, la partie exposée de la haie sera plus grande et l'ensemble sera plus uniforme.

Tenez toujours le taille-haie avec vos deux mains. Tenez fermement les deux poignées. L'outil est conçu pour couper dans les deux sens avec un geste lent de balayage de droite à gauche.

#### **AVERTISSEMENT :**

Gardez toujours vos deux mains sur les poignées du

taille-haie. Ne tenez jamais des branches dans une main tout en manipulant le taille-haie avec l'autre. Une mauvaise utilisation du taille-haie peut entraîner de graves blessures.

Portez des gants pour tailler des buissons piquants ou épineux.

Pour tailler de jeunes pousses, faites de grands gestes de sorte que les tiges soient directement en contact avec la lame de coupe. Les pousses plus anciennes ont des tiges plus épaisses qui sont plus faciles à couper avec un mouvement de scie.

## ⚠️ AVERTISSEMENT :

Avant d'effectuer tout nettoyage ou entretien, débranchez l'appareil.

Ne touchez jamais les lames en mouvement.

Portez des gants de protection !

Entretenez ce produit régulièrement et avec soin ! En cas de mauvais entretien, l'outil est susceptible de présenter des dysfonctionnements, ce qui peut avoir des conséquences fatales.

## ⚠️ AVERTISSEMENT :

Portez des vêtements de protection et respectez toutes les consignes de sécurité afin d'éviter tout risque de blessure grave.

1. Gardez le produit propre. Enlevez tous les débris après chaque utilisation et avant de ranger le produit.
2. Un nettoyage régulier et consciencieux permettra de prolonger la durée de vie du produit et de garantir qu'il reste sûr.
3. Avant chaque utilisation, examinez l'appareil afin de vous assurer qu'aucune pièce n'est usée ou endommagée. Ne l'utilisez pas si vous constatez que des pièces sont cassées ou usées.

## ⚠️ AVERTISSEMENT :

N'essayez pas d'effectuer d'autres manipulations de réparation et d'entretien que celles décrites dans le mode d'emploi ! Toute autre manipulation doit être effectuée par un spécialiste qualifié !

### LUBRIFIER LA LAME

## ⚠️ AVERTISSEMENT :

Attendez toujours l'arrêt complet des lames du taille-haie, puis débranchez celle-ci avant de lubrifier les lames. En cas de non-respect de ces consignes, l'outil peut redémarrer accidentellement et entraîner de graves blessures.

Pour faciliter l'utilisation et prolonger la durée de vie des lames, lubrifiez les lames avant et après chaque utilisation.

Posez le taille-haie sur une surface plane. Appliquez de l'huile lubrifiante légère sur les bords de la lame supérieure.

**REMARQUE :** En cas d'utilisations prolongées du taille-haie, il est recommandé de lubrifier régulièrement la lame.

1. Arrêtez le taille-haie.
2. Débranchez l'appareil. Lubrifiez les lames du taille-haie conformément à la procédure décrite précédemment (Fig. 3).

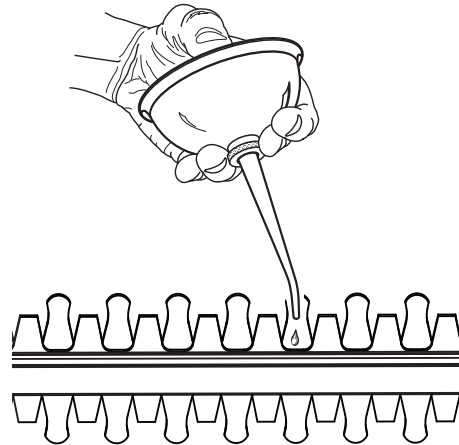


Fig. 3

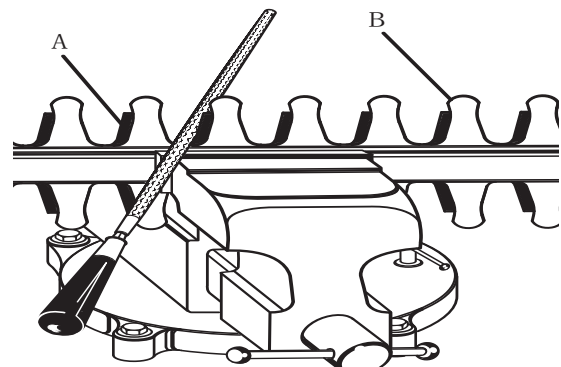
### AFFÛTAGE DE LA LAME

Laissez les lames du taille-haie s'arrêter dans la position ci-dessous. L'espace entre les dents de coupe et les dents de protection est ainsi suffisant pour y insérer une lime.

Débranchez l'appareil.

Coincez les lames dans un étau et aiguissez la surface de coupe exposée de chaque lame à l'aide d'un instrument d'affûtage lisse et rond de 20,3 cm de longueur et de 0,63 cm ou 0,55 cm de diamètre. Veillez à conserver l'angle d'origine de la dent.

Sortez le taille-haie de l'étau, puis redémarrez le taille-haie. Laissez le taille-haie s'arrêter de sorte que le tranchant à aiguiser de l'autre côté des dents soit visible (Fig. 4).



A - Dents de coupe  
B - Dents de protection

Fig. 4

## NETTOYAGE

### **AVERTISSEMENT :**

Mettez toujours la machine hors tension, débranchez la machine de l'alimentation électrique et laissez-la refroidir avant d'effectuer des travaux d'inspection, d'entretien et de nettoyage !

Utilisez une petite brosse pour nettoyer l'extérieur de la machine. N'utilisez pas de détergents trop puissants. Les produits d'entretien domestiques qui contiennent des huiles essentielles (pin et citron par exemple) et des solvants comme le kérosène peuvent abîmer les plastiques. Essayez l'excès d'humidité avec un chiffon doux.

Inspectez le produit avant et après chaque utilisation pour vérifier qu'il ne présente pas de signe de détérioration ou d'usure. N'utilisez pas l'appareil si vous constatez que des pièces sont abîmées ou usées.

**REMARQUE :** Si la lame de coupe est bloquée par des corps étrangers au cours du travail, arrêtez la machine, attendez l'arrêt complet des lames, retirez l'objet de l'obstruction et nettoyez les lames de coupe.

### **AVERTISSEMENT :**

N'essayez pas d'effectuer d'autres manipulations de réparation et d'entretien que celles décrites dans le mode d'emploi ! Toute autre manipulation doit être effectuée par un spécialiste qualifié !

## RANGEMENT

1. Nettoyez l'appareil conformément aux consignes données plus haut.
2. Rangez l'appareil et ses accessoires dans un endroit sec, sombre, bien aéré et à l'abri du gel.
3. Rangez toujours le produit dans un endroit inaccessible aux enfants. La température idéale de stockage est comprise entre 10°C et 30°C.
4. Nous vous recommandons de ranger l'appareil dans son emballage d'origine ou de le recouvrir avec un tissu ou une bâche afin de le protéger contre la poussière.

## TRANSPORT

1. Nettoyez l'appareil conformément aux consignes données plus haut.
2. Portez toujours l'appareil en le tenant par sa poignée.
3. Protégez l'appareil contre les risques de chocs ou de fortes vibrations auxquels il pourrait être soumis lors d'un déplacement en véhicule.
4. Immobilisez solidement le produit pour éviter qu'il ne glisse ou ne tombe et ne provoque des dommages ou des blessures.



Le produit est livré dans un emballage qui le protège contre les dommages pendant l'expédition.

Conservez l'emballage jusqu'à ce que vous soyez sûr que toutes les pièces sont présentes et que le produit fonctionne correctement. Recyclez ensuite l'emballage.

Les produits usagés sont potentiellement recyclables en vertu de la directive sur les déchets d'équipements électriques et électroniques (DEEE) (2012/19 / UE) et ne doivent donc pas être jetés avec

vos ordures ménagères. Vous êtes priés de nous assister et de contribuer à l'économie des ressources et à la protection de l'environnement en apportant ce produit dans un centre de collecte adapté (s'il en existe un).

## DÉPANNAGE

PROBLÈME	CAUSE POSSIBLE	SOLUTION
L'appareil ne démarre pas	La fiche n'est pas branchée sur la rallonge	Assurez-vous que la rallonge est bien raccordée à l'outil
	La rallonge n'est pas branchée sur la prise de courant	Assurez-vous que la rallonge est bien branchée sur une prise de courant sous tension
	Le bouton de sécurité ou la gâchette sont mal enclenchés.	Voir chapitre « ALLUMER ET ÉTEINDRE L'OUTIL »
L'appareil ne fonctionne pas à pleine puissance	Les ouvertures d'aération sont obstruées	Nettoyez les ouvertures d'aération
Le résultat de coupe n'est pas satisfaisant	L'accessoire de coupe est usé	Remplacez-le par un neuf
	Les lames ou leur support sont pliés	Redressez les lames ou leur support
L'outil produit des vibrations ou des bruits excessifs	Des boulons/écrous sont desserrés	Resserrez les boulons/écrous

Si vous avez besoin d'aide, emmenez l'outil à un revendeur qualifié.

## GARANTIE LIMITÉE À DEUX ANS

Garantie limitée de 2 ans sur l'ensemble des équipements électriques d'extérieur de la gamme Senix E. Ce produit Senix est garanti DURANT DEUX ANS à compter de la date d'achat d'origine, contre les défauts de matériaux ou de fabrication sur les outils électriques. Le produit défectueux sera réparé gratuitement.\* Cette garantie ne couvre pas l'usure normale des pièces et des composants tels que la chaîne de coupe, le fil ou les lames, et cette garantie ne couvre pas les frais de transport du produit pour la garantie ou l'entretien.

La garantie est sujette aux conditions suivantes :

- La garantie s'applique à l'acheteur original au détail et n'est pas transférable.
- Enregistrement de la garantie sur [www.senixtools.com](http://www.senixtools.com)
- L'outil n'a pas été utilisé incorrectement, a été maltraité, négligé, altéré, modifié ou réparé par quelqu'un d'autre qu'un centre d'entretien autorisé
- Seuls les accessoires Senix authentiques ont été utilisés avec ou sur ce produit.
- L'outil a été soumis à une usure normale.
- L'outil n'a pas été utilisé à des fins commerciales ou professionnelles
- L'outil n'a pas été utilisé à des fins locatives
- Cette garantie ne couvre que les défauts résultant d'une utilisation normale et ne couvre pas les dysfonctionnements, défaillances ou défauts résultant d'une utilisation incorrecte, d'un abus (surcharge du produit, exposition à l'eau ou à la pluie), d'une négligence ou d'un défaut d'installation, d'entretien ou de stockage.

Pour localiser votre fournisseur de services Senix le plus proche, appelez gratuitement le 800-261-3981 ou envoyez-nous un e-mail sur [service@senixtools.com](mailto:service@senixtools.com).

## Limitations supplémentaires

Toute garantie implicite accordée en vertu de la loi de l'État, y compris les garanties de qualité marchande ou d'adéquation à un usage particulier, est limitée à trois ans à compter de la date d'achat des outils électriques et des chargeurs, et à sept ans à compter de la date d'achat des batteries. Le fabricant n'est pas responsable des dommages directs, indirects, accessoires ou consécutifs. Certains États et provinces n'autorisent pas les limitations sur la durée d'une garantie implicite et/ou n'autorisent pas l'exclusion ou la limitation des dommages accessoires, et dans ce cas, les restrictions décrites précédemment ne s'appliquent pas. Cette garantie vous donne des droits légaux spécifiques, et vous pouvez également avoir d'autres droits qui varient d'un État à l'autre ou d'une province à l'autre.

YAT USA décline toute responsabilité en matière de responsabilité civile résultant d'une utilisation abusive ou non conforme à une utilisation et une maintenance correctes de la machine telles que décrites dans le manuel d'instructions.

YAT USA n'est pas responsable des dommages directs, indirects, accessoires ou consécutifs.

Après l'achat, le fabricant recommande un entretien approprié de la machine et de lire le manuel d'instructions avant d'utiliser la machine.

\* Un reçu d'achat original peut être exigé comme preuve d'achat

Pour le service à la clientèle, contactez-nous gratuitement au 1-800-261-3981 ou sur [Senixtools.com](http://Senixtools.com).

YAT USA, Inc. 6441 Hendry Road, Suite A, Charlotte, NC 28269