

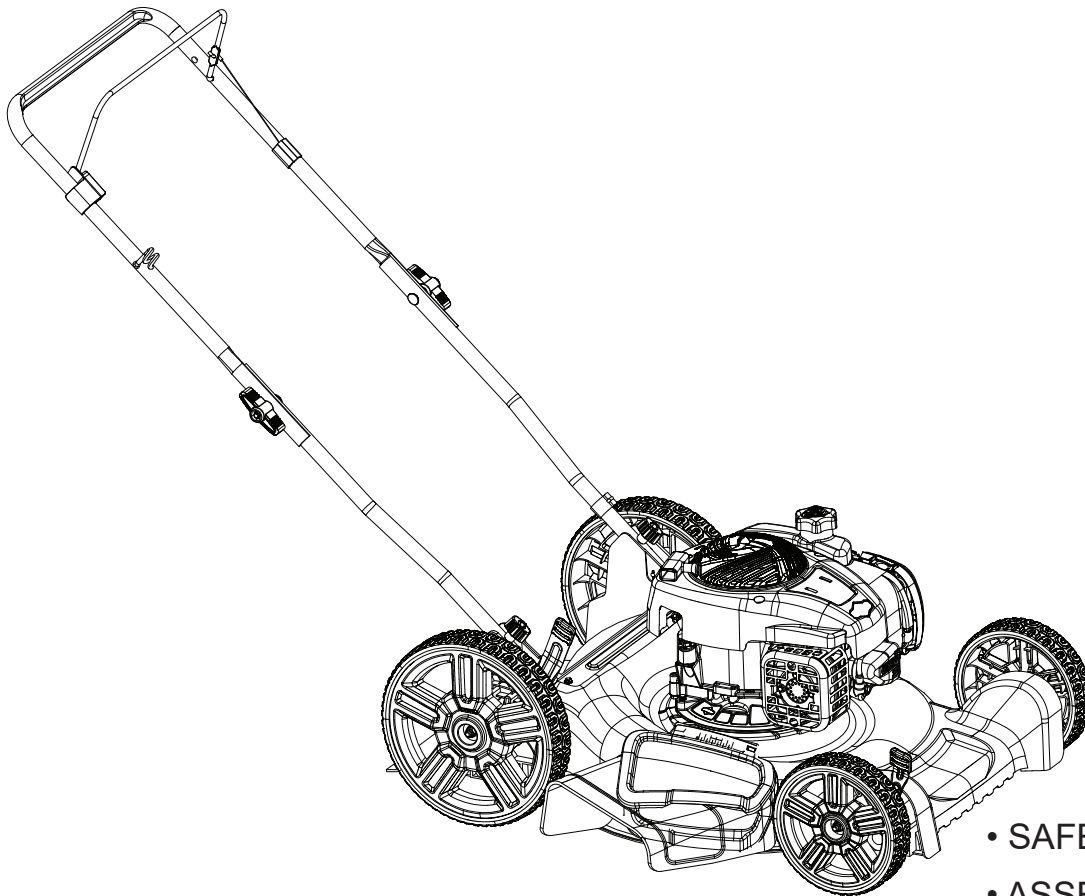
Operator's Manual



21" LAWN MOWER

Model No.LSPG-M4 (125CC)

LSPG-M6 (140CC)



- SAFETY
- ASSEMBLY
- OPERATION
- MAINTENANCE
- WARRANTY

CAUTION: Before using this product, read this manual and follow all safety rules and operating instructions.

SENIX TOOLS 6441 Hendry Road, Suite A, Charlotte, NC 28269

For customer support please call 1-800-261-3981 or email us at senix.support@yat.com

www.senixtools.com

TABLE OF CONTENTS

Warranty Statement	Page 2	Service and Maintenance	Pages 12-13
Safety Instructions	Pages 3-6	Off-Season Storage	Page 14
Slope Guide	Page 7	Troubleshooting	Page 15
Assembly	Pages 8-9	Parts	Page 16
Operation	Pages 10-11	Warranty	Page 17

WARRANTY STATEMENT

SENIX LIMITED WARRANTY

FOR TWO YEARS from the date of sale this product is warranted against defects in material or workmanship.

This warranty covers ONLY defects in material and workmanship. Warranty coverage does NOT include:

- Expendable items which can wear out from normal use within the warranty period, such as mower blades, blade adapters, belts, filters, or spark plugs.
- Product damage resulting from user attempts at product modification or repair or caused by product accessories.
- Repairs necessary because of accident or failure to operate or maintain the product according to all supplied instructions.
- Preventative maintenance or repairs necessary due to improper fuel mixture, contaminated or stale fuel.

This warranty is void if this product is ever used while providing commercial services or if rented to another person.

This warranty gives you specific legal rights, and you may also have other rights which vary from state to state.

SENIX TOOLS 6441 Hendry Rd. Charlotte, NC. 28269

www.senixtools.com

PRODUCT SPECIFICATIONS

Engine Oil: SAE 30
Fuel: Unleaded Gasoline
Engine: Briggs & Stratton

MODEL NUMBER

Model Number: _____
Serial Number: _____
Date of Purchase: _____
Record the model number, serial number, and date of purchase above.

SAFETY INSTRUCTIONS

WARNING

This symbol points out important safety instructions which, if not followed, could endanger the personal safety and/or property of yourself and others. Read and follow all instructions in this manual before attempting to operate this machine. Failure to comply with these instructions may result in personal injury.

DANGER

This machine was built to be operated according to the safe operation practices in this manual. As with any type of power equipment, carelessness or error on the part of the operator can result in serious injury. This machine is capable of amputating fingers, hands, toes and feet and throwing debris. Failure to observe the following safety instructions could result in serious injury or death.

WARNING

Your Responsibility—Restrict the use of this power machine to persons who read, understand and follow the warnings and instructions in this manual and on the machine.

SAVE THESE INSTRUCTIONS!

GENERAL OPERATION

Read this operator's manual carefully in its entirety before attempting to assemble this machine. Read, understand, and follow all instructions on the machine and in the manuals before operation. Keep this manual in a safe place for reference and ordering replacement parts

- Be completely familiar with the controls and the proper use of this machine before operating it.
- This machine is a precision piece of power equipment, not a plaything. Therefore, exercise extreme caution at all times. This machine has been designed to perform one job: to mow grass. Do not use it for any other purpose.
- Never allow children to operate this machine.
- Only responsible individuals who are familiar with these rules of safe operation should be allowed to use this machine.
- Thoroughly inspect the area where the equipment is to be used. Remove all stones, sticks, wire, bones, toys and other foreign objects, which could be tripped over or picked up and thrown by the blade. Thrown objects can cause serious personal injury.
- Plan your mowing pattern to avoid discharge of material toward roads, sidewalks, bystanders and the like. Also, avoid discharging material against a wall or obstruction, which may cause discharged material to ricochet back toward the operator.
- To help avoid blade contact or a thrown object injury, stay in operator zone behind handles and keep children, bystanders, helpers and pets at least 75 feet from mower while it is in operation. Stop machine if anyone enters area.
- Always wear safety glasses or safety goggles during operation and while performing an adjustment or repair to protect your eyes. Thrown objects which ricochet can cause serious injury to the eyes.
- Wear sturdy, rough-soled work shoes, loose-fitting slacks, shirts and hearing protection. Shirts and pants that cover the arms and legs and steel-toed shoes are recommended. Never operate this machine in bare feet, sandals, slippery or light-weight (e.g. canvas) shoes.
- Do not put hands or feet near rotating parts or under the cutting deck. Contact with blade can amputate fingers, hands, toes and feet. Keep clear of the discharge opening at all times.
- A missing or damaged discharge cover can cause blade contact or thrown object injuries.
- Many injuries occur as a result of the mower being pulled over the foot during a fall caused by slipping or tripping. Do not hold on to the mower if you are falling: release the handle immediately.
- Never pull the mower back toward you while you are walking. If you must back the mower away from a wall or obstruction first look down and behind to avoid tripping and then follow these steps:
 - a. Step back from mower to fully extend your arms forward.
 - b. Be sure you are well balanced with sure footing.
 - c. Pull the mower back slowly, no more than half way toward you.
 - d. Repeat these steps as needed.
- Do not operate the mower while under the influence of alcohol or drugs.
- Do not engage the self-propelled mechanism on machines so equipped while starting engine.
- The blade control handle is a safety device. Never attempt to bypass its operation. Doing so makes the safety device inoperative and may result in personal injury through contact with the rotating blade. The blade control handle must operate easily in both directions and automatically return to the disengaged position when released.
- Never operate the mower in wet grass. Always be sure of your footing. A slip and fall can cause serious personal injury. If you feel you are losing your footing, release the blade control handle immediately and the blade will stop rotating within three seconds.
- Mow only in daylight or good artificial light. Walk, never run.
- Stop the blade when crossing gravel drives, walks or roads.
- If the equipment should start to vibrate abnormally, stop the engine and check immediately for the cause. Vibration is generally a warning of trouble.
- Shut the engine off and wait until the blade comes to a complete stop before removing the grass catcher or unclogging the chute. The cutting blade continues to rotate for a few seconds after the blade control is released.
- Never place any part of the body in the blade area until you are sure the blade has stopped rotating.
- Never operate mower without proper trail shield, discharge cover, grass catcher, blade control handle or other safety protective devices in place and working. Never operate mower with damaged safety devices. Failure to do so can result in personal injury. Check frequently for signs of wear or deterioration and replace as needed.
- Muffler and engine become hot and can cause a burn. Do not touch.
- Never attempt to make a wheel or cutting height adjustment while the engine is running.

SAFETY INSTRUCTIONS

- Only use parts and accessories made for this machine by the manufacturer as listed in the parts pages of this Operator's Manual. Failure to do so can result in personal injury.
- When starting engine, pull cord slowly until resistance is felt, then pull rapidly. Rapid retraction of starter cord (kickback) will pull hand and arm toward engine faster than you can let go. Broken bones, fractures, bruises or sprains could result.
- If situations occur which are not covered in this manual, use care and good judgement.

SLOPE OPERATION

Slopes are a major factor related to slip and fall accidents, which can result in severe injury. Operation on slopes requires extra caution. If you feel uneasy on a slope, do not mow it. For your safety, use the Slope Guide included as part of this manual to measure slopes before operating this machine on a sloped or hilly area. If the slope is greater than 15 degrees, do not mow it.

Do:

- Mow across the face of slopes; never up and down. Exercise extreme caution when changing direction on slopes.
- Watch for holes, ruts, rocks, hidden objects, or bumps which can cause you to slip or trip. Tall grass can hide obstacles. Uneven terrain could overturn the machine, or cause operator to lose their balance or footing.
- Always be sure of your footing. A slip and fall can cause serious personal injury. If you feel you are losing your balance, release the blade control handle immediately and the blade will stop rotating within three (3) seconds.
- Use extra care while operating machine with a grass catcher or other attachment(s). They can affect the stability of the machine.

Do Not:

- Do not start and stop on slopes. Avoid making sudden changes in speed or direction. Make turns slowly and gradually.
- Do not mow near drop-offs, ditches or embankments, because you could lose your footing or balance.
- Do not mow slopes greater than 15 degrees as shown on the slope guide.
- Do not mow on wet grass. Unstable footing could cause slipping.

HAULING

Use full width ramps for loading and unloading a machine for transport.

CHILDREN

Tragic accidents can occur if the operator is not alert to the presence of children. Children are often attracted to the mower and the mowing activity. They do not understand the dangers. Never assume that children will remain where you last saw them.

- Keep children out of the mowing area and under watchful care of a responsible adult other than the operator.
- Be alert and turn mower off if a child enters the area.
- Before and while moving backwards, look behind and down for small children.
- Use extreme care when approaching blind corners, doorways, shrubs, trees, or other objects that may obscure your vision of a child who may run into the mower.
- Keep children away from hot or running engines. They can suffer burns from a hot muffler.

- Never allow children under 14 years of age to operate this machine. Children 14 and over should read and understand the instructions and safe operation practices in this manual and on the machine and be trained and supervised by an adult.

SERVICE

Safe Handling of Gasoline

To avoid personal injury or property damage use extreme care in handling gasoline. Gasoline is extremely flammable and the vapors are explosive. Serious personal injury can occur when gasoline is spilled on yourself or your clothes which can ignite. Wash your skin and change clothes immediately.

- Use only an approved gasoline container.
- Never fill containers inside a vehicle or on a truck or trailer bed with a plastic liner. Always place containers on the ground away from your vehicle before filling.
- Remove gas-powered equipment from the truck or trailer and refuel it on the ground. If this is not possible, then refuel such equipment on a trailer with a portable container, rather than from a gasoline dispenser nozzle.
- Keep the nozzle in contact with the rim of the fuel tank or container opening at all times until fueling is complete. Do not use a nozzle lock-open device.
- Extinguish all cigarettes, cigars, pipes and other sources of ignition.
- Never fuel machine indoors because flammable vapors will accumulate in the area.
- Never remove gas cap or add fuel while engine is hot or running. Allow engine to cool at least two minutes before refueling.
- Never over-fill fuel tank. To allow for expansion of the fuel, do not fill above the bottom of the fuel tank neck.
- Replace gasoline cap and tighten securely.
- If gasoline is spilled, wipe it off the engine and equipment. Move machine to another area. Wait 5 minutes before starting engine.
- Never store the machine or fuel container near an open flame, spark or pilot light as on a water heater, space heater, furnace, clothes dryer or other gas appliances.
- To reduce fire hazard, keep machine free of grass, leaves, or other debris build-up. Clean up oil or fuel spillage and remove any fuel-soaked debris.
- Allow machine to cool at least 5 minutes before storing.

SAFETY INSTRUCTIONS

GENERAL SERVICE

Never run an engine indoors or in a poorly ventilated area. Engine exhaust contains carbon monoxide, an odorless and deadly gas.

- Before cleaning, repairing, or inspecting, make certain the blade and all moving parts have stopped. Disconnect the spark plug wire and ground against the engine to prevent unintended starting.
- Check the blade and engine mounting bolts at frequent intervals for proper tightness. Also, visually inspect blade for damage (e.g., bent, cracked, worn).
- Replace blade with the original equipment manufacturer's (O.E.M.) blade only, listed in the Parts pages of this manual. Use of parts which do not meet the original equipment specifications may lead to improper performance and compromise safety!
- Mower blades are sharp and can cut. Wrap the blade or wear gloves, and use extra caution when servicing them.
- Keep all nuts, bolts, and screws tight to be sure the equipment is in safe working condition.
- Never tamper with safety devices. Check their proper operation regularly.
- After striking a foreign object, stop the engine, disconnect the spark plug wire and ground against the engine. Thoroughly inspect the mower for any damage. Repair the damage before starting and operating the mower.
- Never attempt to make a wheel or cutting height adjustment while the engine is running.
- Discharge cover, and trail shield are subject to wear and damage which could expose moving parts or allow objects to be thrown. For safety protection, frequently check components and replace immediately with original equipment manufacturer's (O.E.M.) parts only, listed in the Parts pages of this manual. Use of parts which do not meet the original equipment specifications may lead to improper performance and compromise safety!
- Do not change the engine's governor setting or over-speed the engine. The governor controls the maximum safe operating speed of the engine.
- Check fuel line, tank, cap, and fittings frequently for cracks or leaks. Replace if necessary.
- Do not crank engine with spark plug removed.
- Maintain or replace safety and instruction labels, as necessary.
- Observe proper disposal laws and regulations. Improper disposal of fluids and materials can harm the environment.
- According to the Consumer Products Safety Commission (CPSC) and the U.S. Environmental Protection Agency (EPA), this product has an Average Useful Life of seven (7) years, or 140 hours of operation. At the end of the Average Useful Life have the machine inspected annually to ensure that all mechanical and safety systems are working properly and not worn excessively. Failure to do so can result in accidents, injuries or death.












DO NOT MODIFY ENGINE

To avoid serious injury or death, do not modify engine in any way. Tampering with the governor setting can lead to a runaway engine and cause it to operate at unsafe speeds. Never tamper with factory setting of engine governor.

SAFETY INSTRUCTIONS

SAFETY SYMBOLS

This page depicts and describes safety symbols that may appear on this product. Read, understand, and follow all instructions on the machine before attempting to assemble and operate.

Symbol	Description
	READ THE OPERATOR'S MANUAL(S) Read, understand, and follow all instructions in the manual(s) before attempting to assemble and operate.
	DANGER — ROTATING BLADES To reduce the risk of injury, keep hands and feet away. Do not operate unless discharge cover or grass catcher is in its proper place. If damaged, replace immediately.
	DANGER — BYSTANDERS Do not mow when children or others are around.
	DANGER — HAND/ FOOT CUT Keep hands and feet away from rotating parts.
	DANGER — THROWN DEBRIS Remove objects that can be thrown by the blade in any direction. Wear safety glasses.
	DANGER — SLOPES Use extra caution on slopes. Do not mow slopes greater than 15°.
	WARNING—GASOLINE IS FLAMMABLE Allow the engine to cool at least two minutes before refueling.
	WARNING— CARBON MONOXIDE Never run an engine indoors or in a poorly ventilated area. Engine exhaust contains carbon monoxide, an odorless and deadly gas.
	WARNING— HOT SURFACE Engine parts, especially the muffler, become extremely hot during operation. Allow engine and muffler to cool before touching.
	WARNING— LOOKBEHIND WHILE BACKING.
	WARNING— DO NOT OPEN OR REMOVE SAFETY SHIELDS WHILE ENGINE IS RUNNING.



WARNING: Your Responsibility—Restrict the use of this power machine to persons who read, understand and follow the warnings and instructions in this manual and on the machine.

SAVE THESE INSTRUCTIONS!

SLOPE GAUGE

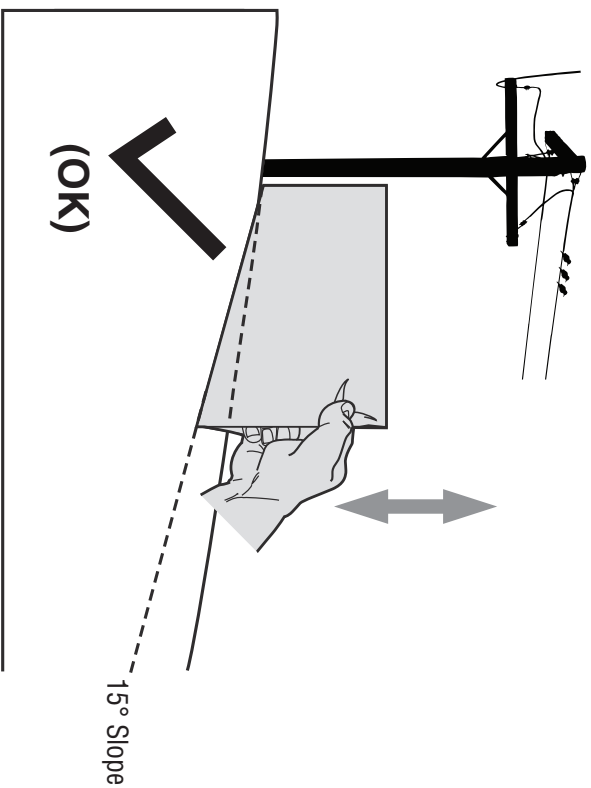


Figure 1

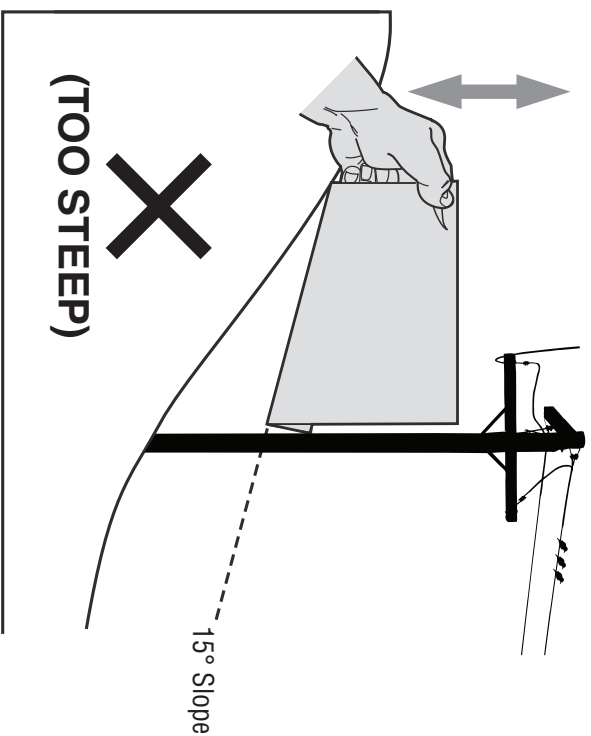


Figure 2

USE THIS SLOPE GAUGE TO DETERMINE IF A SLOPE IS TOO STEEP FOR SAFE OPERATION!

To check the slope, proceed as follows:

1. Remove this page and fold along the dashed line.
2. Locate a vertical object on or behind the slope (e.g. a pole, building, fence, tree, etc.)
3. Align either side of the slope gauge with the object (See Figure 1 and Figure 2).
4. Adjust gauge up or down until the left corner touches the slope (See Figure 1 and Figure 2).
5. If there is a gap below the gauge, the slope is too steep for safe operation (See Figure 2 above).

15° dashed line

⚠ WARNING

Slopes are a major factor related to tip-over and roll-over accidents which can result in severe injury or death. Do not operate machine on slopes in excess of 15 degrees. All slopes require extra caution. Always mow across the face of slopes, never mow up and down slopes.

ASSEMBLY

IMPORTANT: This unit is shipped without gasoline or oil in the engine. Make sure to service engine with gasoline and oil as instructed in the Engine Manual before starting or running the machine.

NOTE: Reference to right and left hand side of the Lawn Mower is observed from the operating position.

OPENING CARTON

1. Cut each corner of the carton vertically from top to bottom.
2. Remove all loose parts.
3. Remove loose packing material.

REMOVING UNIT FROM CARTON

1. Lift unit from the rear to detach it from underlying carton material and roll unit out of carton.
2. Check carton thoroughly for any other loose parts.

Assembly parts in carton

- Handle Fixing Knob (Qty 2)
- Side Discharge Cover
- Bottle of oil
- User Manual/Engine Manual

ASSEMBLY

Attach Handle

IMPORTANT: Do not crimp the cables when assembling the handle.

1. Pull the folded handle assembly up to the working position at first (Figure 2).
2. Screw two handle fixing knobs for mounting the lower handle on the mower handle holder (Figure 3).
3. Reinforce the connection between upper handle with lower handle by tighten two handle connecting knobs (Figure 4).

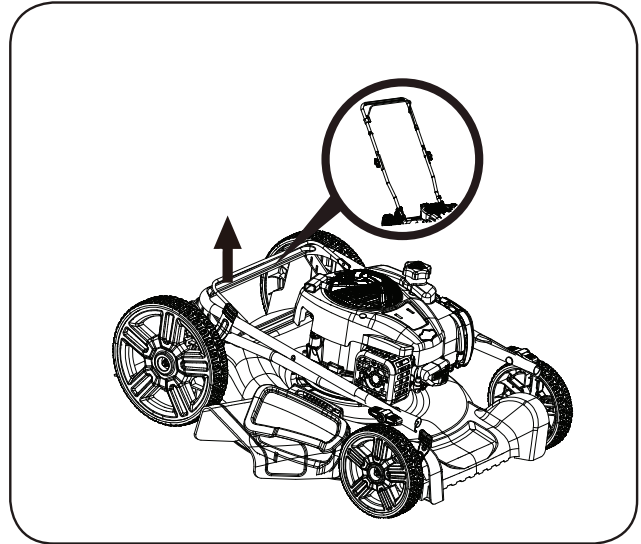


Figure 2

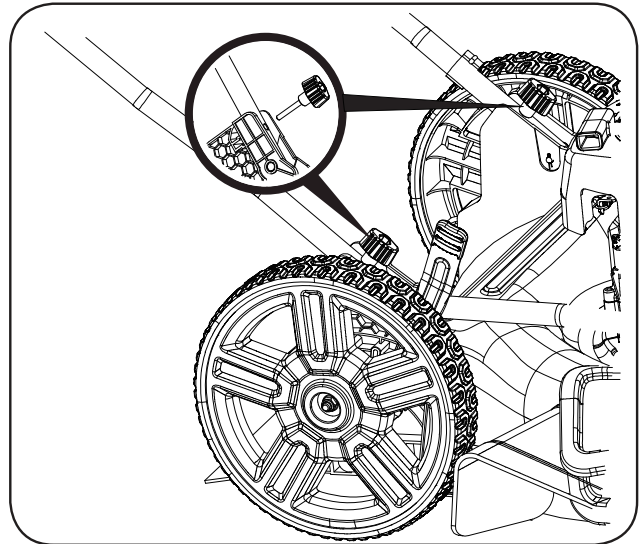


Figure 3

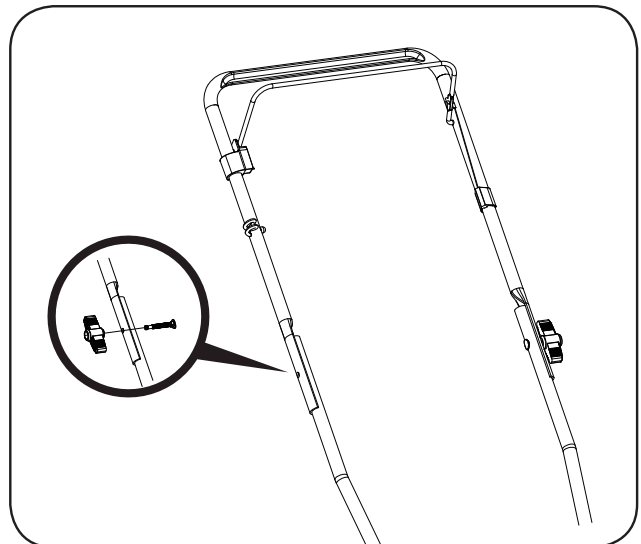


Figure 4

ASSEMBLY

Position Starter Rope and Cable

1. Hold the blade control handle against the upper handle (Figure 5)
2. Slowly pull starter rope handle from engine and slip starter rope into the rope guide (Figure 5).
3. Use the cable clamp to secure the control cable to the handle (Figure 5).

IMPORTANT: To reduce wear and allow for proper operation, make sure to leave some slack in the upper portion of the cable.

Attach Side Discharge Cover

1. Lift the mulching cover.
2. Slide two hooks of side discharge cover under hinge pin on mulching cover assembly (Figure 6).
3. Lower mulching cover. Do not remove side mulching cover at any time, even when you are not mulching.

ADJUSTMENTS

Cutting Height

This product is designed with dual-lever height adjustment (Figure 7).

6 cutting heights (from 1.25inch to 3.75inch) are available.

1. Pull the height adjustment lever outward towards wheel.
2. Move lever to a position of desired cutting height.
3. Release lever towards deck.

IMPORTANT: To avoid unbalance, always keep four wheels at same cutting height.

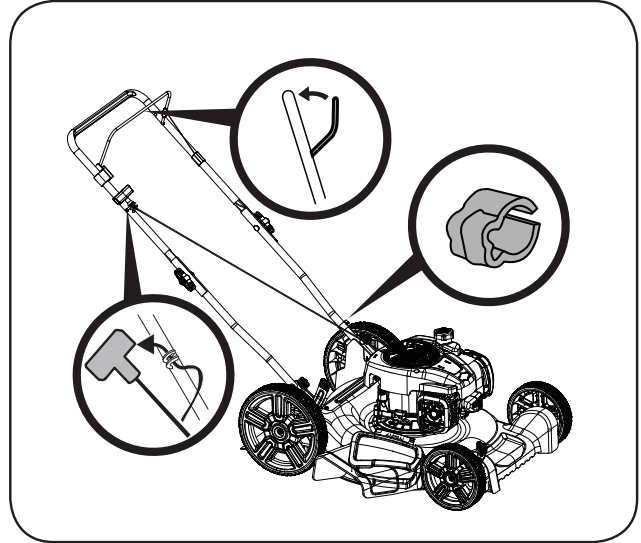


Figure 5

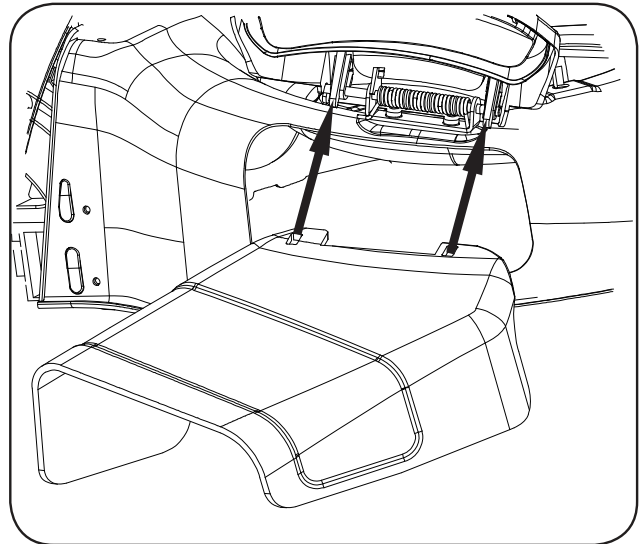


Figure 6

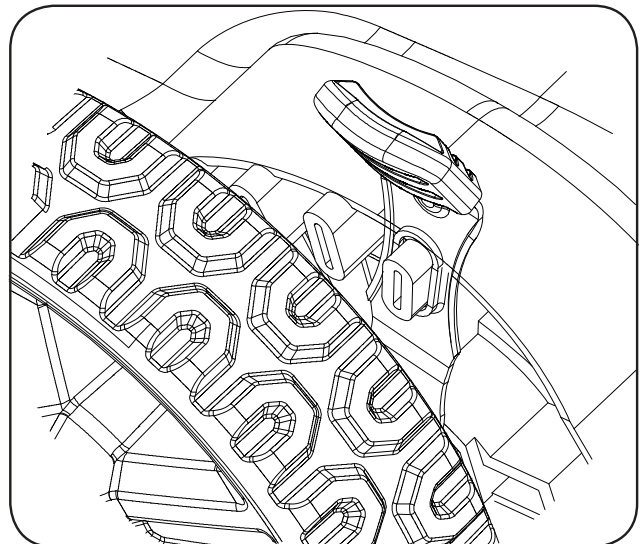
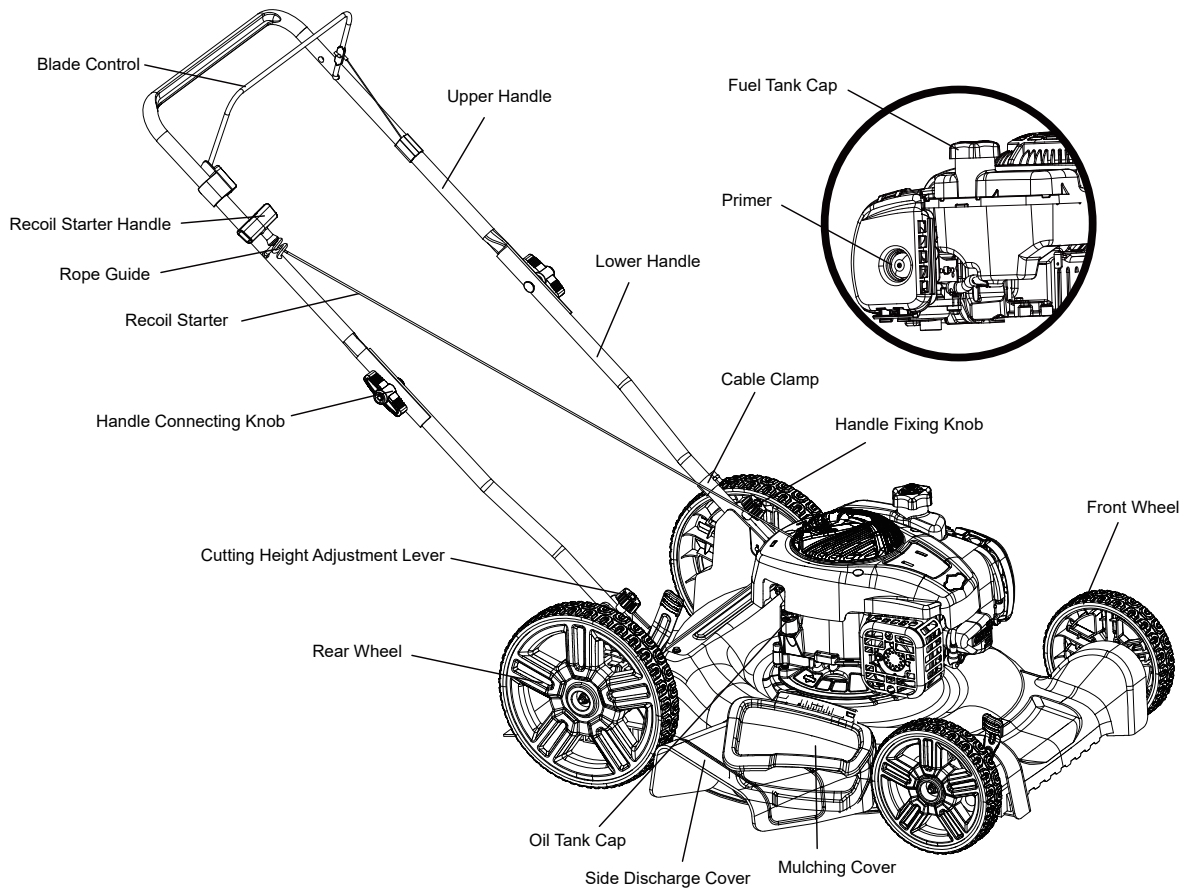


Figure 7

OPERATION



BLADE CONTROL

The blade control is attached to the upper handle of the mower. Depress and hold against the upper handle to operate. Release it to stop the engine and blade.

⚠ WARNING

This blade control is a safety device. Never attempt to bypass its operation.

SIDE DISCHARGE COVER

Your mower is shipped as a mulcher. To discharge the grass clippings to the side instead, follow the instructions in the assembly section to attach the side discharge cover.

⚠ WARNING

Keep hands and feet away from the chute area on cutting deck. Refer to warning label on the unit.

MULCHING COVER

The mulching cover is used for mulching purposes. Instead of collecting the grass clippings in a grass catcher or using the side discharge chute, some mower models have the option of recirculating the clippings back to the lawn. This is called mulching. Close the mulching cover when mulching so that the clipped grass can not discharge from side.

CUTTING HEIGHT ADJUSTMENT LEVER

This product is designed with dual-lever height adjustment. The height of front wheel and rear wheel can be respectively adjusted by two cutting height adjustment levers which locate above the front wheel and rear wheel. 6 cutting heights (from 1.25inch to 3.75inch) are available. To adjust the cutting height, refer to the assembly section.

RECOIL STARTER

The recoil starter is attached to the right upper handle. Depress and hold the blade control handle, then pull the recoil starter rope to start the unit.

PRIMER

The primer is located on the left side of the engine. The primer is used to pump gas into the carburetor and aid in starting the engine.

OPERATION

⚠ WARNING

Make sure no one other than the operator is standing near the lawn mower while starting engine or operating mower. Never run engine indoors or in enclosed, poorly ventilated areas. Engine exhaust contains carbon monoxide, an odorless and deadly gas. Keep hands, feet, hair and loose clothing away from any moving parts on engine and lawn mower.

FUEL and OIL

See the engine Operator's Manual for fuel and oil instructions.

TO START ENGINE

1. Push the primer three times. Do not prime to restart a warm engine.
2. Standing behind the mower, pull the blade control handle back against the upper handle (Figure 8).
3. While holding the blade control against the upper handle, grasp the recoil starter handle and pull rope out with a rapid, continuous, full arm stroke. Keeping a firm grip on the starter handle, let the rope rewind slowly. Repeat until engine starts. Let the rope rewind each time slowly.

⚠ WARNING

If you push the primer too many times, excessive fuel will flood the engine and it will be difficult to start.

⚠ WARNING

Keep a firm grip on the starter cord handle to prevent rapid retraction of starter cord (kickback). Rapid retraction can pull hand and arm toward engine faster than you can let go, and result in broken bones, fractures, bruises or sprains.

TO STOP ENGINE

1. Release the blade control to stop the engine and blade.

⚠ WARNING

Wait for the blade to stop completely before performing any work on the mower.

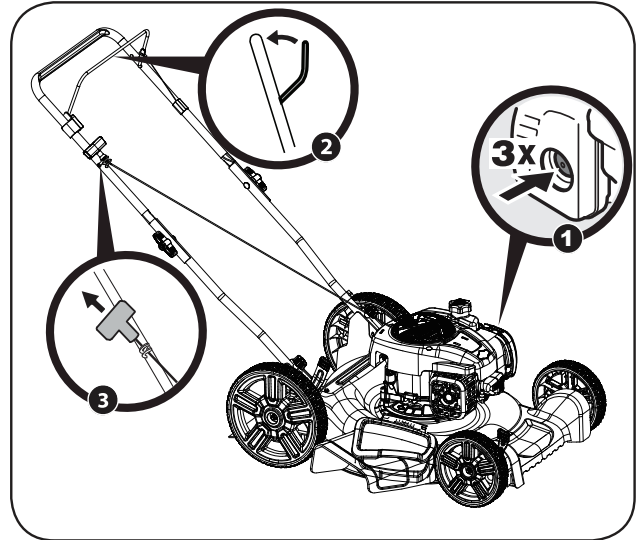


Figure 8

USING YOUR LAWN MOWER

Be sure lawn is clear of stones, sticks, wire, or other objects which could damage lawn mower or engine. Such objects could be accidentally thrown by the mower in any direction and cause serious personal injury to the operator and others.

For a healthy lawn, always cut off one-third or less of the total length of the grass.

When cutting heavy grass, reduce walking speed to allow for more effective cutting and a proper discharge of the clippings.

Do not cut wet grass. It will stick to underside of the deck and prevent proper mulching of grass clippings.

New or thick grass may require a narrower cut or a higher cutting height.

⚠ WARNING

The operation of any lawn mower can result in foreign objects being thrown into the eyes, which can damage your eyes severely. Always wear safety glasses while operating the mower, or while performing any adjustments or repairs on it.

⚠ WARNING

If you strike a foreign object, stop the engine. Disconnect the spark plug wire, thoroughly inspect mower for any damage, and repair damage before restarting and operating. Extensive vibration of mower during operation is an indication of damage. The unit should be promptly inspected and repaired. Refer to the Engine Manual.

SERVICE AND MAINTENANCE

WARNING

Before performing any type of maintenance/service, disengage all controls and stop the engine. Wait until all moving parts have come to a complete stop. Disconnect spark plug wire and ground it against the engine to prevent unintended starting.

Follow the maintenance schedule given below. This chart describes service guidelines only. Use the Service Log column to keep track of completed maintenance tasks. See the Engine Operator's Manual for fuel, oil, air filter and spark plug instructions.

Interval	Item	Service	Service Log
Each use	1. Engine oil level 2. Loose or missing hardware 3. Unit and engine	1. Check 2. Tighten or replace 3. Clean	
1st 5 hours	1. Engine oil	1. Change	
Annually or 25 hours	1. Spark Plug 2. Control linkages/pivots and wheels 3. Underside of mower deck ²	1. Check 2. Lube with light oil 3. Clean	
Annually or 50 hours	1. Air filter & Pre-Cleaner(If Equipped) ¹ 2. Engine Oil	1. Clean 2. Change	
Annually or 200 hours	1. Air filter & Pre-Cleaner ¹	1. Change	
Annually	1. Spark plug	1. Replace	
Before Storage	1. Fuel system	1. Run engine until it stops from lack of fuel, or add stabilizer to a full tank of fresh fuel prior to storage.	

¹ Clean more often under dusty conditions or when airborne debris is present.

² Check and clean more often if mower is typically used in the mulching configuration.

WARNING

Always stop engine, disconnect spark plug wire, and ground against engine before performing any type of maintenance on your machine.

CLEAN ENGINE

- Daily or before every use, clean grass, chaff or accumulated debris from engine. Keep linkage, spring, and controls clean. Keep area around and behind muffler free of any combustible debris.
- Keeping engine clean allows air movement around engine.
- Engine parts should be kept clean to reduce the risk of overheating and ignition of accumulated debris.

GENERAL RECOMMENDATIONS

- Always observe safety rules when performing any maintenance.
- The warranty on this lawn mower does not cover items that have been subjected to operator abuse or negligence. To receive full value from warranty, operator must maintain the equipment as instructed here.
- Changing of engine-governed speed will void engine warranty.
- All adjustments should be checked at least once each season.
- Periodically check all fasteners and make sure these are tight.

CAUTION

Do not use water to clean engine parts. Water could contaminate fuel system. Use a brush or dry cloth.

SERVICE AND MAINTENANCE

BLADE CARE

⚠ WARNING

When removing the cutting blade for replacement, protect your hands with a pair of heavy gloves or use a heavy rag to hold the blade. Do not repair or alter blade.

Periodically inspect the blade adapter for cracks, especially if you strike a foreign object. Replace when necessary. Follow the steps below for blade service (Figure 9).

1. Disconnect spark plug boot from spark plug. Turn mower on its side making sure that the air filter and the carburetor are facing up.
2. Remove the bolt and the blade bell support which hold the blade and the blade adapter to the engine crankshaft.
3. Remove blade and adapter from the crankshaft.
4. Remove blade from the adapter for testing balance. Balance the blade on a round shaft screwdriver to check. Remove metal from the heavy side until it balances evenly. When sharpening the blade, follow the original angle of grind. Grind each cutting edge equally to keep the blade balanced.
5. Lubricate the engine crankshaft and the inner surface of the blade adapter with light oil. Slide the blade adapter onto the engine crankshaft. Place the blade on the adapter such that the side of the blade marked "Bottom" (or with part number) faces the ground when the mower is in the operating position. Make sure that the blade is aligned and seated on the blade adapter flanges.
6. Place blade bell support on the blade. Align notches on the blade bell support with small holes in blade.
7. Replace hex bolt and tighten hex bolt to torque: 29.5-33.2 ft-lb (40-45 Nm) max.

⚠ WARNING

An unbalanced blade will cause excessive vibration when rotating at high speeds. It may cause damage to mower and could break causing personal injury.

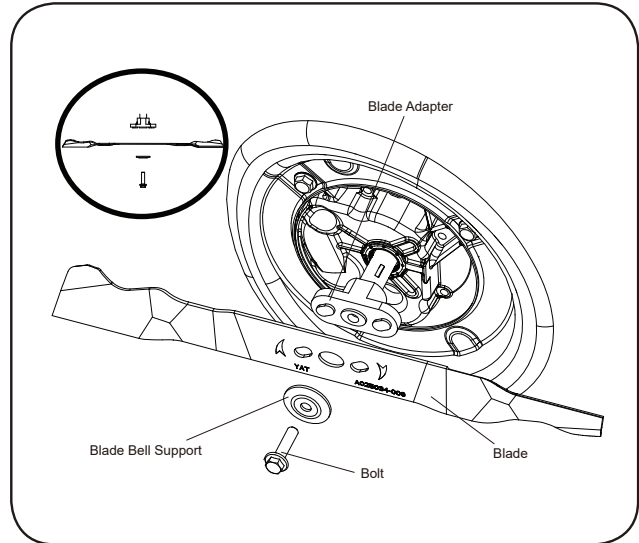


Figure 9

OFF-SEASON STORAGE

WARNING

Never store lawn mower with fuel in tank indoors or in poorly ventilated areas where fuel fumes may reach an open flame, spark, or pilot light as on a furnace, water heater, clothes dryer, or gas appliance.

PREPARING THE ENGINE

For engines stored over 30 days:

- To prevent gum from forming in fuel system or on carburetor parts, run engine until it stops from lack of fuel or use gasoline mixed with gas additive. If you use a gas additive, run the engine for several minutes to circulate the additive through the carburetor—after which the engine and fuel can be stored longer than 30 days.
- While engine is still warm, change the oil.
- Clean engine of surface debris.

PREPARING THE LAWN MOWER

- Clean and lubricate mower thoroughly as described in the lubrication instructions.
- Do not use a pressure washer or garden hose to clean your unit.
- Coat mower's cutting blade with chassis grease to prevent rusting.
- Refer to Preparing the Engine for correct engine storage instructions.
- Store mower in a dry, clean area. Do not store next to corrosive materials, such as fertilizer.
- When storing any type of power equipment in a poorly ventilated or metal storage shed, care should be taken to rust-proof the equipment. Using a light oil or silicone, coat the equipment, especially cables and all moving parts of your lawn mower before storage.

WARNING

Unscrew the lower handle fixing knob and fold the handle up for storage. Insert the knob into the hole to prevent it from being misplaced.

TROUBLESHOOTING

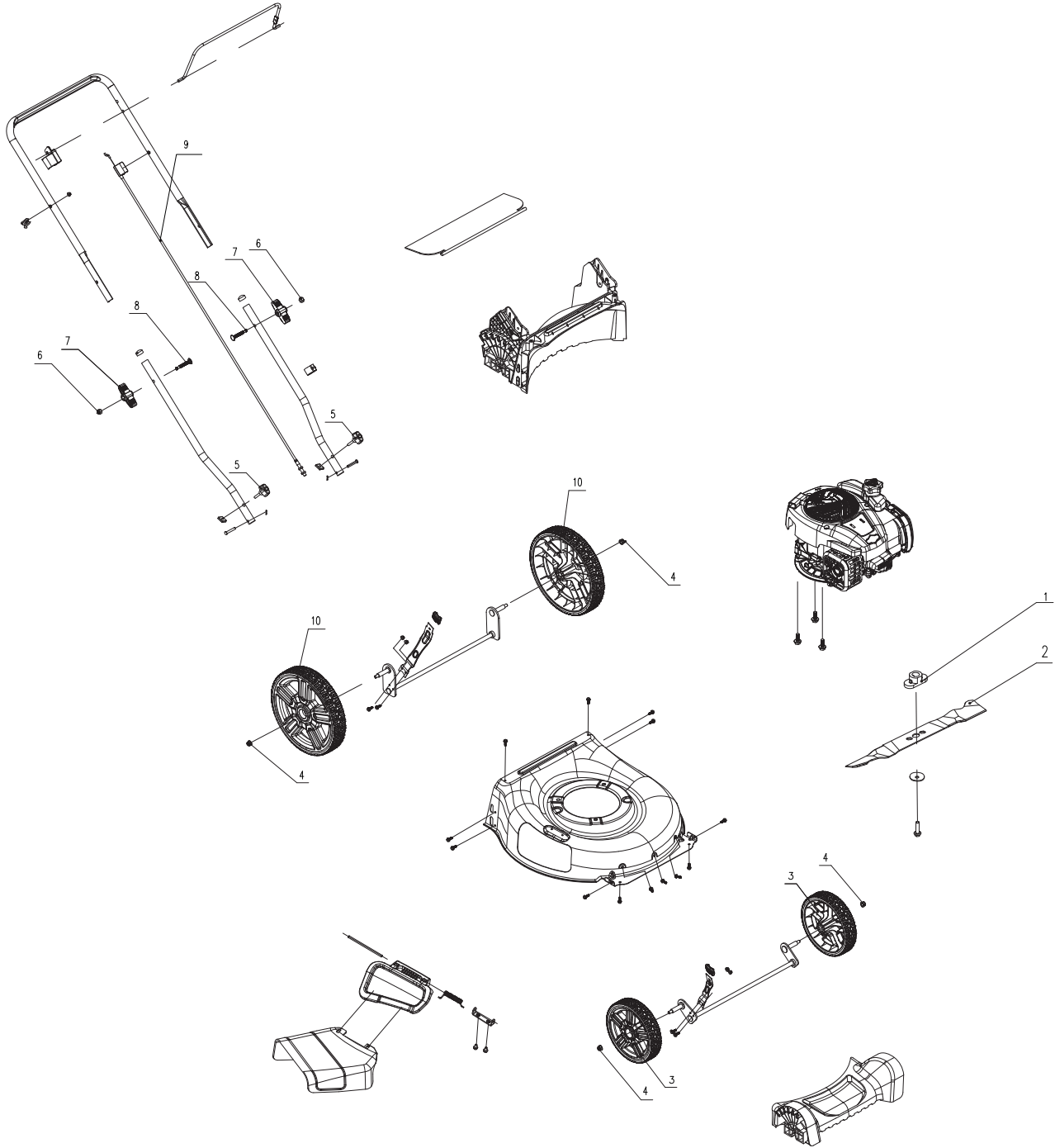
WARNING

Disconnect the spark plug wire and ground it against the engine to prevent unintended starting. Before performing any type of maintenance/service, disengage all controls and stop the engine. Wait until all moving parts have come to a complete stop. Always wear safety glasses during operation or while performing any adjustments or repairs.

This section addresses minor service issues. To refer to your engine manual to locate your nearest Briggs and Stratton service dealer.

Problem	Cause	Remedy
Engine Fails to start	<ol style="list-style-type: none"> 1. Blade control disengaged. 2. Spark plug boot disconnected. 3. Fuel tank empty or stale fuel. 4. Engine not primed (If equipped with primer). 5. Faulty spark plug. 6. Engine flooded. 7. Blocked fuel line. 	<ol style="list-style-type: none"> 1. Engage blade control. 2. Connect wire to spark boot. 3. Fill tank with clean, fresh gasoline. 4. Prime engine as instructed in the Operation section. 5. Clean, adjust gap, or replace. 6. Wait a few minutes to restart. 7. Contact your service dealer to clean the fuel line cleaned.
Engine runs erratic	<ol style="list-style-type: none"> 1. Spark plug boot loose. 2. Stale fuel. 3. Vent in gas cap plugged. 4. Water or dirt in fuel system. 5. Dirty air cleaner. 6. Blocked fuel line. 	<ol style="list-style-type: none"> 1. Connect and tighten spark plug boot. 2. Fill tank with clean, fresh gasoline. 3. Clear vent. 4. Run engine until it stops from lack of fuel. Refill with fresh fuel. 5. Refer to Air Cleaner in Engine Maintenance section. 6. Contact your service dealer to clean the fuel line cleaned.
Engine overheats	<ol style="list-style-type: none"> 1. Engine oil level low. 2. Air flow restricted. 	<ol style="list-style-type: none"> 1. Fill crankcase with proper oil. 2. Clean area around and on top of engine.
Occasional skips (hesitates)	<ol style="list-style-type: none"> 1. Spark plug gap too close. 	<ol style="list-style-type: none"> 1. Adjust gap by a qualified specialist.
Idles poorly	<ol style="list-style-type: none"> 1. Spark plug fouled, faulty, or gap too wide. 2. Dirty air cleaner. 	<ol style="list-style-type: none"> 1. Reset gap or replace spark plug. 2. Refer to Air Cleaner in Engine Maintenance section.
Excessive vibration	<ol style="list-style-type: none"> 1. Cutting blade loose or unbalanced. 2. Bent cutting blade. 	<ol style="list-style-type: none"> 1. Tighten blade and adapter. Balance blade. 2. Replace blade.

PARTS



No.	Part #	Description	Qty.
1	A025036-006-00	Blade Adapter	1
2	A025034-009-00	Blade	1
3	A025034-003-00	Front Wheel	2
4	8NE-08D01	Nut	4
5	A025034-011-00	Handle Fixing Knob	2
6	8NA-08D	Nut	2
7	A025036-010-00	Handle Connecting Knob	2
8	A025036-004-00	Bolt	2
9	A025036-011-00	Cable Assembly	1
10	A025034-004-00	Rear Wheel	2

WARRANTY

LIMITED TWO-YEAR WARRANTY

2-year limited warranty on all Senix B&S series gasoline powered equipment.

FOR TWO YEARS from the original date of retail purchase this Senix product is warranted against defects in materials or workmanship. Defective product will receive free repair.*

This warranty does not cover normal wear of parts and components such as cutting chain, line or blades nor does this warranty cover product transportation cost for warranty or service.

Warranty is subject to the following conditions:

- For engine parts issue, please refer to your engine manual to locate the nearest authorized service dealer for any warranty related issues
- Warranty applies to the original purchaser at retail and is not transferrable*
- Warranty Registration at www.senixtools.com
- Only genuine Senix accessories have been used with or on this product
- The tool has been subjected to normal wear and tear
- The tool has not been used for trade or professional purposes
- The tool has not been used for rental purposes
- This warranty only covers defects arising under normal usage and does not cover any malfunction, failure or defect resulting from misuse, abuse (including overloading the product, exposure to water or rain) accidents, neglect or lack of proper installation and improper maintenance or storage.

To locate your nearest Senix service provider call toll free at 1-800-261-3981 or email us at senix.service@yat.com.

Additional Limitations

Limited to two years from the date of purchase on power equipment. The manufacturer is not responsible for direct, indirect, incidental or consequential damages. Some states and provinces do not allow limitations on how long an implied warranty lasts and/or do not allow the exclusion or limitation of incidental damages, so the above limitations and exclusions may not apply to you.

SENIX TOOLS declines any responsibility in regard to civil liability arising from abusive use or not in conformity with proper use and maintenance of the machine as described in the operator's manual.

SENIX TOOLS is not responsible for direct, indirect, incidental or consequential damages.

After the purchase, the manufacturer recommends proper maintenance of the machine and to read the operator's manual before using the machine.

*Original purchase receipt may be required for proof of purchase

For customer support please call 1-800-261-3981 or email us at senix.service@yat.com

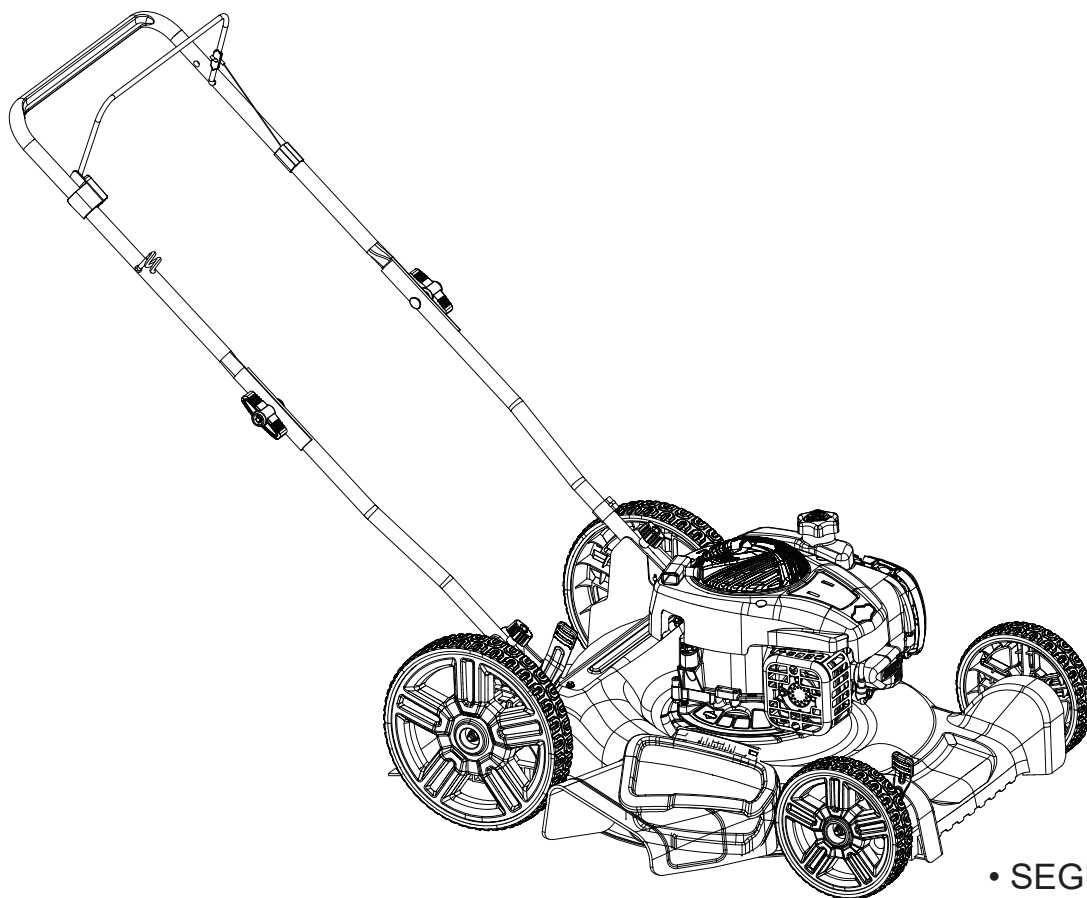
Manual del operador



CORTADORA DE CÉSPED DE 53 CM

N.º de modelo LSPG-M4 (125CC)

LSPG-M6 (140CC)



PRECAUCIÓN: Antes de usar esta herramienta, lea este manual y siga todas las medidas de seguridad e instrucciones de operación.

- SEGURIDAD
- ENSAMBLAJE
- OPERACIÓN
- MANTENIMIENTO
- GARANTÍA

SENIX TOOLS 6441 Hendry Road, Suite A, Charlotte, NC 28269

Para asistencia al cliente, llame al 1-800-261-3981 o envíenos un correo electrónico a [senix.support@yat.com](mailto:support@yat.com)

www.senixtools.com

ÍNDICE

Declaración de garantía	Página 19	Servicio y mantenimiento.....	Páginas 29-30
Instrucciones de seguridad.....	Páginas 20-23	Almacenamiento fuera de temporada.....	Página 31
Guía de pendientes	Página 24	Solución de problemas.....	Página 32
Ensamblaje.....	Páginas 25-26	Part.....	Página 33
Operación.....	Páginas 27-28	Garantía.....	Página 34

DECLARACIÓN DE GARANTÍA

GARANTÍA LIMITADA DE SENIX

DURANTE DOS AÑOS a partir de la fecha de venta, este producto está garantizado contra defectos de materiales o mano de obra.

Esta garantía cubre ÚNICAMENTE defectos de material y mano de obra. La cobertura de la garantía NO incluye:

- Artículos desechables que pueden desgastarse por el uso normal dentro del período de garantía, como cuchillas de cortacésped, adaptadores de cuchillas, correas, filtros o bujías.
- Daño del producto resultante de los intentos del usuario de modificar o reparar el producto o causado por los accesorios del producto.
- Reparaciones necesarias debido a un accidente o por no operar o mantener el producto de acuerdo con todas las instrucciones provistas.
- Mantenimiento preventivo o reparaciones necesarias debido a una mezcla de combustible inadecuada, combustible contaminado o rancio.

Esta garantía es nula si este producto se utiliza alguna vez mientras se prestan servicios comerciales o si se alquila a otra persona.

Esta garantía le otorga derechos legales específicos, y usted también puede tener otros derechos que varían de un estado a otro.

SENIX TOOLS 6441 Hendry Rd. Charlotte, NC. 28269

www.senixtools.com

ESPECIFICACIONES DEL PRODUCTO

Aceite de motor: SAE 30
Combustible: Gasolina sin plomo
Motor: Briggs & Stratton

NÚMERO DE MODELO

Número de modelo: _____

Número de serie: _____

Fecha de compra: _____

Registre el número de modelo, el número de serie y la fecha de compra en la parte de arriba.

INSTRUCCIONES DE SEGURIDAD

ADVERTENCIA

Este símbolo señala importantes instrucciones de seguridad que, si no se siguen, podrían poner en peligro su seguridad personal y/o su propiedad y la de otros. Lea y siga todas las instrucciones de este manual antes de intentar operar esta máquina. El incumplimiento de estas instrucciones puede resultar en lesiones personales.

PELIGRO

Esta máquina fue construida para ser operada de acuerdo con las prácticas de operación segura de este manual. Como ocurre con cualquier tipo de equipo motorizado, el descuido o error por parte del operador puede resultar en lesiones graves. Esta máquina es capaz de amputar dedos, manos, dedos de los pies y pies, y arrojar escombros. El incumplimiento de las siguientes instrucciones de seguridad podría provocar lesiones graves o la muerte.

ADVERTENCIA

Su responsabilidad: restrinja el uso de esta máquina eléctrica a las personas que lean, comprendan y sigan las advertencias e instrucciones de este manual y de la máquina.

¡CONSERVE ESTAS INSTRUCCIONES!

OPERACIÓN GENERAL

Lea este manual del operador detenidamente en su totalidad antes de intentar ensamblar esta máquina. Lea, entienda y siga todas las instrucciones de la máquina y del(de los) manual(es) antes de la operación. Guarde este manual en un lugar seguro para consultarlo y solicitar piezas de repuesto.

- Familiarícese completamente con los controles y el uso adecuado de esta máquina antes de operarla.
- Esta máquina es un equipo motorizado de precisión, no un juguete. Por lo tanto, tenga mucho cuidado en todo momento. Esta máquina ha sido diseñada para realizar un trabajo: cortar césped. No la use para ningún otro propósito.
- Nunca permita que los niños operen esta máquina.
- Solo las personas responsables que estén familiarizadas con estas reglas de operación segura deben poder usar esta máquina.
- Inspeccione minuciosamente el área donde se utilizará el equipo. Quite todas las piedras, palos, alambres, huesos, juguetes y otros objetos extraños que puedan tropezarse o levantarse, o que la cuchilla pueda arrojar. Los objetos arrojados pueden provocar lesiones personales graves.
- Planifique su patrón de corte para evitar la descarga de material hacia caminos, aceras, transeúntes y similares. Además, evite descargar material contra una pared u obstrucción, lo que puede hacer que el material descargado rebote hacia el operador.
- Para ayudar a evitar el contacto con la cuchilla o una lesión por objeto arrojado, permanezca en la zona del operador detrás de las manijas y mantenga a los niños, transeúntes, ayudantes y mascotas al menos a 23 metros de distancia de la podadora mientras esté en funcionamiento. Detenga la máquina si alguien ingresa al área.
- Siempre use anteojos o gafas de seguridad durante la operación y mientras realiza un ajuste o reparación para proteger sus ojos. Los objetos arrojados que rebotan pueden provocar lesiones oculares graves.
- Use zapatos de trabajo resistentes, de suela áspera, pantalones holgados, camisas y protección auditiva. Se recomiendan camisas y pantalones que cubran los brazos y las piernas y zapatos con punta de acero. Nunca opere esta máquina descalzo, con sandalias, zapatos resbalosos o muy livianos (por ejemplo, de lona).
- No coloque las manos ni los pies cerca de las piezas giratorias o debajo de la plataforma de corte. El contacto con la hoja puede amputar los dedos, manos, dedos de los pies y pies. Manténgase alejado de la abertura de descarga en todo momento.
- Una cubierta de descarga faltante o dañada puede causar el contacto de la cuchilla o lesiones por objetos lanzados.
- Muchas lesiones ocurren como resultado de que la cortadora de césped se pase sobre el pie durante una caída causada por resbalones o tropezos. No se agarre a la podadora si se está cayendo: suelte el mango inmediatamente.
- Nunca jale la podadora hacia usted mientras camine. Si debe alejar la podadora de una pared u obstrucción, primero mire hacia abajo y hacia atrás para evitar tropezar y luego siga estos pasos:
 - Aléjese de la podadora para extender completamente los brazos hacia adelante.
 - Asegúrese de estar bien equilibrado con una base segura.
 - Jale la podadora hacia atrás lentamente, no más de la mitad de su camino hacia usted.
 - Repita estos pasos según sea necesario.
- No opere la podadora bajo la influencia de alcohol o drogas.
- No active el mecanismo autopropulsado en máquinas así equipadas mientras arranque el motor.
- El mango de control de la hoja es un dispositivo de seguridad. Nunca intente omitir su funcionamiento. Si lo hace, el dispositivo de seguridad quedará inoperante y podría provocar lesiones personales por contacto con la cuchilla giratoria. El mango de control de la cuchilla debe funcionar fácilmente en ambas direcciones y volver automáticamente a la posición desenganchada cuando se suelte.
- Nunca opere la máquina sobre hierba mojada. Siempre fíjese dónde pisa. Un resbalón y una caída pueden causar lesiones personales graves. Si siente que está perdiendo el equilibrio, suelte el mango de control de la cuchilla inmediatamente y la cuchilla dejará de girar en tres segundos.
- Opere sólo a la luz del día o con una buena luz artificial. Camine, nunca corra.
- Detenga la cuchilla al cruzar calles de grava, senderos o caminos.
- Si el equipo comienza a vibrar de forma anormal, detenga el motor y compruebe inmediatamente la causa. La vibración es generalmente un indicador de problemas.
- Apague el motor y espere hasta que la cuchilla se detenga por completo antes de retirar el recogedor de césped o desatascar el conducto. La hoja de corte continúa girando durante unos segundos después de que se suelta el control de la hoja.
- Nunca coloque ninguna parte del cuerpo en el área de la cuchilla hasta que esté seguro de que la cuchilla ha dejado de girar.
- Nunca opere la cortadora de césped sin el protector de seguimiento adecuado, la cubierta de descarga, el recogedor de césped, el mango de control de la cuchilla u otros dispositivos de protección de seguridad en su lugar y funcionando. Nunca opere la podadora con dispositivos de seguridad dañados. Si lo hace, se pueden producir lesiones personales. Verifique con frecuencia signos de desgaste o deterioro y reemplace según sea necesario.
- El silenciador y el motor se calientan y pueden causar quemaduras. No tocar.
- Nunca intente hacer un ajuste de la altura de corte o de una rueda con el motor en marcha.

INSTRUCCIONES DE SEGURIDAD

- Utilice únicamente piezas y accesorios fabricados para esta máquina por el fabricante que se mencionan en las páginas de piezas de este Manual del operador. Si lo hace, se pueden producir lesiones personales.
- Al arrancar el motor, tire del cable lentamente hasta sentir resistencia, luego tire rápidamente. La retracción rápida del cable de arranque (contragolpe) empujará la mano y el brazo hacia el motor más rápido de lo que usted lo pueda soltar. Podrían producirse huesos rotos, fracturas, contusiones o esguinces.
- Si ocurren situaciones que no están cubiertas en este manual, tenga cuidado y use su buen juicio.

OPERACIÓN EN PENDIENTES

Las pendientes son un factor importante relacionado con los accidentes por resbalones y caídas, que pueden provocar lesiones graves. La operación en pendientes requiere precaución adicional. Si se siente incómodo en una pendiente, no la corte. Para su seguridad, utilice la guía de pendientes incluida como parte de este manual para medir pendientes antes de operar esta máquina en un área inclinada o montañosa. Si la pendiente es superior a 15 grados, no la corte.

Lo que se debe hacer:

- Trabaje en pendientes de forma lateral, nunca hacia arriba o hacia abajo. Tenga mucho cuidado al cambiar de dirección en las pendientes.
- Esté atento a los agujeros, los surcos, las rocas, los objetos ocultos o los baches que puedan hacer que se resbale o tropiece. El césped alto puede ocultar obstáculos. Un terreno irregular podría volcar la máquina o hacer que el operador pierda el equilibrio o se caiga.
- Siempre fíjese dónde pisa. Un resbalón y una caída pueden causar lesiones personales graves. Si siente que está perdiendo el equilibrio, suelte el mango de control de la cuchilla inmediatamente y la cuchilla dejará de girar en tres (3) segundos.
- Tenga especial cuidado al operar la máquina con un recogedor de césped u otros accesorios. Pueden afectar la estabilidad de la máquina.

Lo que no se debe hacer:

- No arranque ni se detenga en las pendientes. Evite hacer cambios repentinos de velocidad o dirección. Haga giros lenta y gradualmente.
- No corte el césped cerca de desniveles, zanjas o terraplenes, ya que podría perder el equilibrio o caerse..
- No corte el césped en pendientes superiores a 15 grados como se muestra en la guía de pendientes.
- No corte sobre la hierba mojada. Una base inestable podría provocar resbalones.

TRANSPORTACIÓN

Utilice rampas de ancho completo para cargar y descargar una máquina para su transporte.

NIÑOS

Pueden ocurrir accidentes trágicos si el operador no es consciente de la presencia de niños. Los niños a menudo se sienten atraídos por la podadora y la actividad de podar. No comprenden los peligros. Nunca asuma que los niños se quedarán en el mismo lugar en que las vio por última vez.

- Mantenga a los niños fuera del área de corte y bajo el cuidado de un adulto responsable que no sea el operador.
- Esté alerta y apague la podadora si un niño ingresa al área.
- Antes y durante el movimiento de retroceso, mire hacia atrás y hacia abajo para

detectar la presencia de niños.

- Tenga mucho cuidado al acercarse a esquinas ciegas, puertas, arbustos, árboles u otros objetos que puedan ocultar de su vista a un niño que pueda acceder al camino de la cortadora de césped.
- Mantenga a los niños alejados de los motores calientes o en marcha. Pueden sufrir quemaduras por un silenciador caliente.
- Nunca permita que niños menores de 14 años operen esta máquina. Los niños mayores de 14 años deben leer y comprender las instrucciones y las prácticas de operación segura de este manual y de la máquina, y deben ser entrenados y supervisados por un adulto.

SERVICIO

Manejo seguro de la gasolina

Para evitar lesiones personales o daños a la propiedad, tenga mucho cuidado al manipular la gasolina. La gasolina es extremadamente inflamable y los vapores son explosivos. Se pueden producir lesiones personales graves cuando se derrama gasolina sobre usted o su ropa, lo que puede incendiarse. Lávese la piel y cámbiese de ropa inmediatamente.

- Utilice únicamente un recipiente de gasolina aprobado.
- Nunca llene contenedores dentro de un vehículo o en un camión o caja de remolque con un revestimiento de plástico. Siempre coloque los contenedores en el suelo lejos de su vehículo antes de llenarlos.
- Retire el equipo a gasolina del camión o remolque y reabastezca de gasolina en el suelo. Si esto no es posible, reabastezca dicho equipo en un remolque con un contenedor portátil, en lugar de hacerlo con una boquilla dispensadora de gasolina.
- Mantenga la boquilla en contacto con el borde del tanque de combustible o la abertura del recipiente en todo momento hasta que se complete el reabastecimiento. No utilice un dispositivo de bloqueo de boquilla para abrir.
- Apague todos los cigarrillos, puros, pipas y otras fuentes de ignición.
- Nunca suministre combustible a la máquina en interiores porque se acumularán vapores inflamables en el área.
- Nunca quite la tapa de la gasolina ni agregue combustible mientras el motor esté caliente o en funcionamiento. Deje que el motor se enfríe por lo menos dos minutos antes de reabastecer.
- Nunca llene excesivamente el depósito de combustible. Para permitir la expansión del combustible, no llene por encima de la parte inferior del cuello del tanque de combustible.
- Vuelva a colocar la tapa de la gasolina y ajústela firmemente.
- Si se derrama gasolina, límpiela del motor y del equipo. Mueva la máquina a otra área. Espere 5 minutos antes de arrancar el motor.
- Nunca almacene la máquina o el recipiente de combustible cerca de una llama abierta, chispa o luz piloto como en un calentador de agua, calentador de espacio, horno, secadora de ropa u otros aparatos de gas.
- Para reducir el peligro de incendio, mantenga la máquina libre de la acumulación de hierbas, hojas u otros escombros. Limpie los derrames de aceite o combustible y elimine cualquier residuo empapado de combustible.
- Deje que la máquina se enfríe por lo menos 5 minutos antes de guardarla.

INSTRUCCIONES DE SEGURIDAD

SERVICIO GENERAL

Nunca encienda un motor en interiores o en un área mal ventilada. El escape del motor contiene monóxido de carbono, un gas inodoro y mortal.

- Antes de limpiar, reparar o inspeccionar la herramienta, asegúrese de que la cuchilla y todas las piezas móviles se hayan detenido. Desconecte el cable de la bujía y colóquelo a tierra contra el motor para evitar un arranque involuntario.
- Revise los pernos de montaje de la cuchilla y del motor a intervalos frecuentes para ver si están bien apretados. Además, inspeccione visualmente la hoja en busca de daños (p. ej., doblada, agrietada, gastada).
- Reemplace la hoja únicamente con la hoja del fabricante del equipo original (OEM), que se menciona en las páginas de Piezas de este manual. ¡El uso de piezas que no cumplan con las especificaciones del equipo original puede provocar un rendimiento inadecuado y comprometer la seguridad!
- Las cuchillas de la podadora son afiladas y pueden cortar. Envuelva la cuchilla o use guantes y tenga especial cuidado al repararlos.
- Mantenga todas las tuercas, pernos y tornillos ajustados para asegurarse de que el equipo esté en condiciones seguras de funcionamiento.
- Nunca altere los dispositivos de seguridad. Compruebe regularmente el funcionamiento adecuado.
- Después de golpear un objeto extraño, detenga el motor, desconecte el cable de la bujía y ponga a tierra contra el motor. Inspeccione minuciosamente la podadora para detectar cualquier daño. Repare el daño antes de arrancar y operar la podadora.
- Nunca intente hacer un ajuste de la altura de corte o de una rueda con el motor en marcha.
- La cubierta de descarga y el protector de seguimiento están sujetos a desgaste y daños que podrían exponer las partes móviles o permitir que se arrojen objetos. Para protección de seguridad, revise con frecuencia los componentes y reemplácelos inmediatamente con piezas del fabricante del equipo original (OEM) solamente, que se mencionan en las páginas de Piezas de este manual. ¡El uso de piezas que no cumplan con las especificaciones del equipo original puede provocar un rendimiento inadecuado y comprometer la seguridad!
- No cambie la configuración del regulador del motor ni haga funcionar el motor a una velocidad excesiva. El regulador controla la velocidad máxima de funcionamiento segura del motor.
- Revise la línea de combustible, el tanque, la tapa y los accesorios con frecuencia en busca de grietas o fugas. Reemplácelos si es necesario.
- No arranque el motor sin la bujía.
- Mantenga o reemplace las etiquetas de seguridad e instrucciones, según sea necesario.
- Observe las leyes y regulaciones de eliminación adecuadas. La eliminación inadecuada de líquidos y materiales puede dañar el medio ambiente.
- Según la Comisión de Seguridad de Productos de Consumo (CPSC) y la Agencia de Protección Ambiental (EPA) de los EE. UU., este producto tiene una vida útil promedio de siete (7) años o 140 horas de operación. Al final de la vida útil promedio, inspeccione la máquina anualmente para asegurarse de que todos los sistemas mecánicos y de seguridad funcionen correctamente y no estén excesivamente desgastados. No hacerlo puede provocar accidentes, lesiones o la muerte.












NO MODIFIQUE EL MOTOR

Para evitar lesiones graves o la muerte, no modifique el motor de ninguna manera. La manipulación indebida de la configuración del regulador puede provocar un motor fuera de control y hacer que funcione a velocidades peligrosas. Nunca manipule la configuración de fábrica del regulador del motor.

INSTRUCCIONES DE SEGURIDAD

SÍMBOLOS DE SEGURIDAD

Esta página muestra y describe los símbolos de seguridad que pueden aparecer en este producto. Lea, entienda y siga todas las instrucciones de la máquina antes de intentar ensamblarla y operarla.

Symbol	Description
	LEA EL(LOS) MANUAL(ES) DEL OPERADOR Lea, comprenda y siga todas las instrucciones del (los) manual(es) del usuario antes de intentar ensamblar y operar
	PELIGRO: CUCHILLAS GIRATORIAS. Para reducir el riesgo de lesiones, mantenga las manos y los pies alejados. No lo utilice a menos que la cubierta de descarga o el recogedor de césped estén en su lugar adecuado. Si está dañado, reemplácelo inmediatamente.
	PELIGRO: TRANSEÚNTES No corte el césped cuando haya niños u otras personas alrededor.
	PELIGRO: CORTE DE MANO / PIE Mantenga las manos y los pies alejados de las partes móviles.
	PELIGRO: ESCOMBROS LANZADOS Retire los objetos que puedan ser arrojados por la hoja en cualquier dirección. Use anteojos de seguridad.
	PELIGRO: PENDIENTES Tenga especial cuidado en las pendientes. No corte el césped en pendientes superiores a 15°.
	ADVERTENCIA: LA GASOLINA ES INFLAMABLE Deje que el motor se enfríe por lo menos dos minutos antes de reabastecerse.
	ADVERTENCIA: MONÓXIDO DE CARBONO Nunca encienda un motor en interiores o en un área mal ventilada. El escape del motor contiene monóxido de carbono, un gas inodoro y mortal.
	ADVERTENCIA: SUPERFICIE CALIENTE Las piezas del motor, especialmente el silenciador, se calientan mucho durante el funcionamiento. Deje que el motor y el silenciador se enfríen antes de tocarlos.
	ADVERTENCIA: MIRE HACIA ATRÁS MIENTRAS RETROCEDE.
	ADVERTENCIA: NO ABRA NI RETIRE LOS PROTECTORES DE SEGURIDAD MIENTRAS EL MOTOR ESTÉ EN FUNCIONAMIENTO.



ADVERTENCIA: Su responsabilidad: restrinja el uso de esta máquina eléctrica a las personas que lean, comprendan y sigan las advertencias e instrucciones de este manual y de la máquina.

¡CONSERVE ESTAS INSTRUCCIONES!

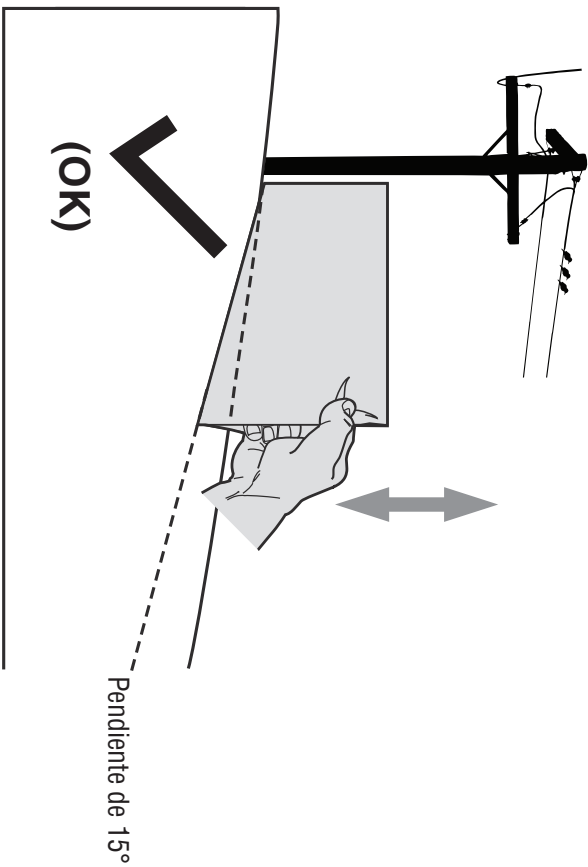


Figura 1

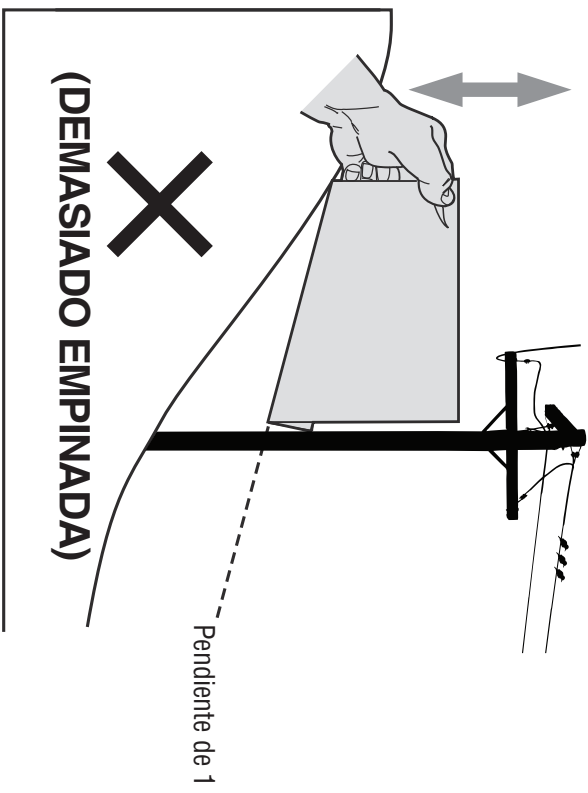


Figura 2

¡USE ESTE MEDIDOR DE PENDIENTES PARA DETERMINAR

SI UNA PENDIENTE ES DEMASIADO EMPINADA PARA UNA OPERACIÓN SEGURA!

Para comprobar la pendiente, proceda de la siguiente manera:

1. Retire esta página y dóblela por la línea discontinua.
2. Ubique un objeto vertical en o detrás de la pendiente (por ejemplo, un poste, edificio, cerca, árbol, etc.)
3. Alinee cualquier lado del indicador de pendiente con el objeto (consulte la Figura 1 y la Figura 2).
4. Ajuste el medidor hacia arriba o hacia abajo hasta que la esquina izquierda toque la pendiente (consulte la Figura 1 y la Figura 2).
5. Si hay un espacio debajo del indicador, la pendiente es demasiado empinada para una operación segura (consulte la Figura 2 arriba).

Línea discontinua de 15°

⚠ ADVERTENCIA

Las pendientes son un factor importante relacionado con los accidentes de vuelco y ruedo que pueden provocar lesiones graves o la muerte. No opere la máquina en pendientes de más de 15 grados. Todas las pendientes requieren precaución adicional. Trabaje en pendientes de forma lateral, nunca corte hacia arriba o hacia abajo.

ENSAMBLAJE

IMPORTANT: Esta unidad se envía sin gasolina o aceite en el motor. Asegúrese de dar servicio al motor con gasolina y aceite como se indica en el Manual del motor antes de arrancar o hacer funcionar la máquina.

NOTE: La referencia al lado derecho e izquierdo de la cortadora de césped se observa desde la posición de funcionamiento.

PARA ABRIR LA CAJA

1. Corte cada esquina de la caja verticalmente de arriba a abajo.
2. Retire todas las piezas sueltas.
3. Retire el material de embalaje suelto.

PARA SACAR LA UNIDAD DE LA CAJA

1. Levante la unidad desde la parte posterior para separarla del material de cartón subyacente y retire la unidad de la caja.
2. Revise la caja a fondo para ver si hay otras piezas sueltas.

Piezas de montaje en la caja

- Perilla de fijación del mango (Cant. 2)
- Cubierta de descarga lateral
- Botella de aceite
- Manual de usuario / Manual del motor

ENSAMBLAJE

Fije el mango

IMPORTANT: No doble los cables al ensamblar el mango.

1. Al principio, tire del conjunto del mango doblado hacia arriba hasta la posición de trabajo (Figura 2).
2. Atornille dos perillas de fijación del mango para montar el mango inferior en el soporte del mango de la cortadora (Figura 3).
3. Refuerce la conexión entre el mango superior con el mango inferior, apretando dos perillas de conexión del mango (Figura 4).

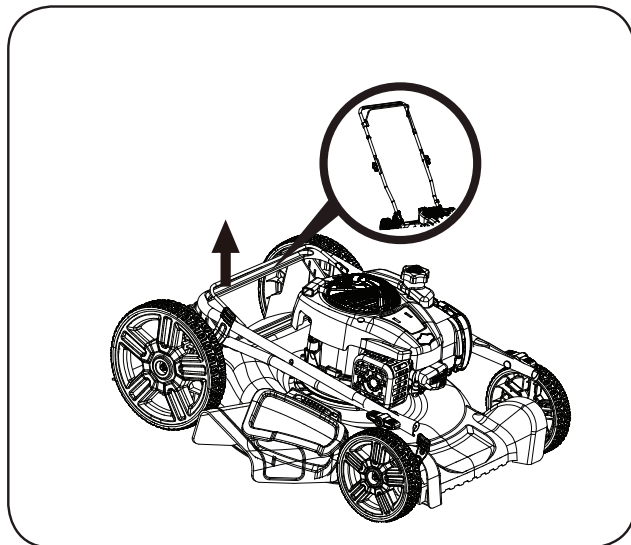


Figure 2

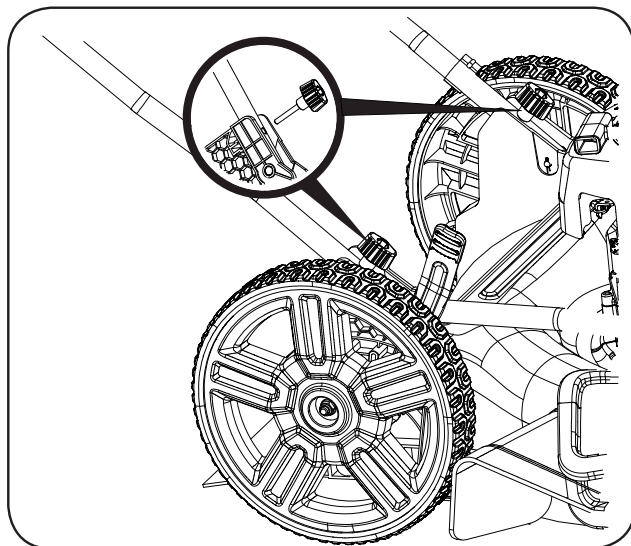


Figure 3

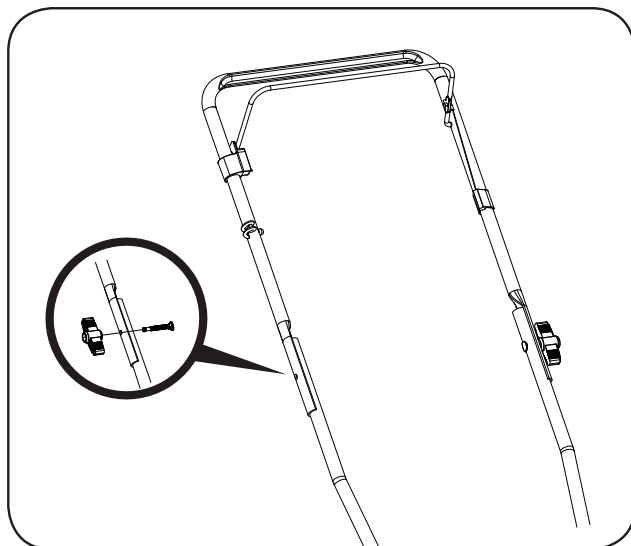


Figure 4

ENSAMBLAJE

Coloque la cuerda y el cable de arranque

1. Sostenga el mango de control de la hoja contra el mango superior (Figura 5).
2. Tire lentamente del mango de la cuerda de arranque del motor y deslice la cuerda de arranque en la guía de la cuerda (Figura 5).
3. Utilice la abrazadera del cable para asegurar el cable de control al mango (Figura 5).

IMPORTANT: Para reducir el desgaste y permitir un funcionamiento adecuado, asegúrese de dejar algo de holgura en la parte superior del cable.

Fije la cubierta de descarga lateral

1. Levante la cubierta del lecho del césped.
2. Deslice dos ganchos de la cubierta de descarga lateral debajo del pasador de la bisagra en el conjunto de la cubierta de procesamiento del lecho (Figura 6).
3. Cubierta inferior de procesamiento del lecho. No retire la cubierta de abono lateral en ningún momento, incluso cuando no esté procesando el lecho.

AJUSTES

Altura de corte

Este producto está diseñado con ajuste de altura de doble palanca (Figura 7).

Hay disponibles 6 alturas de corte (de 3.2 a 9.5 cm).

1. Tire de la palanca de ajuste de altura hacia afuera, hacia la rueda.
2. Mueva la palanca a una posición de la altura de corte deseada.
3. Suelte la palanca hacia la plataforma.

IMPORTANT: Para evitar el desequilibrio, mantenga siempre las cuatro ruedas a la misma altura de corte.

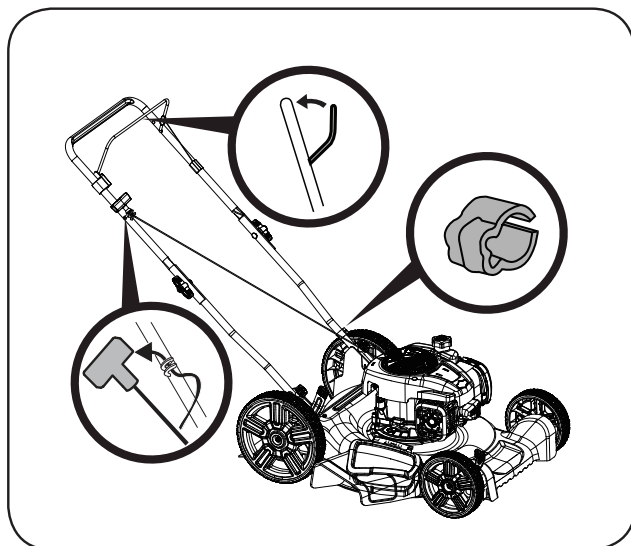


Figure 5

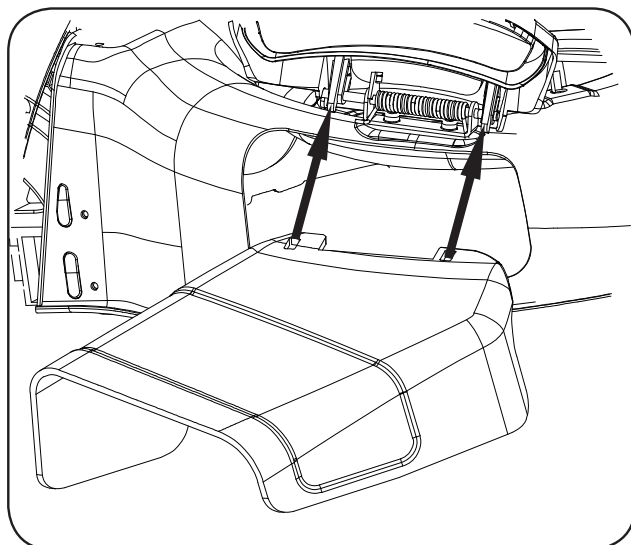


Figure 6

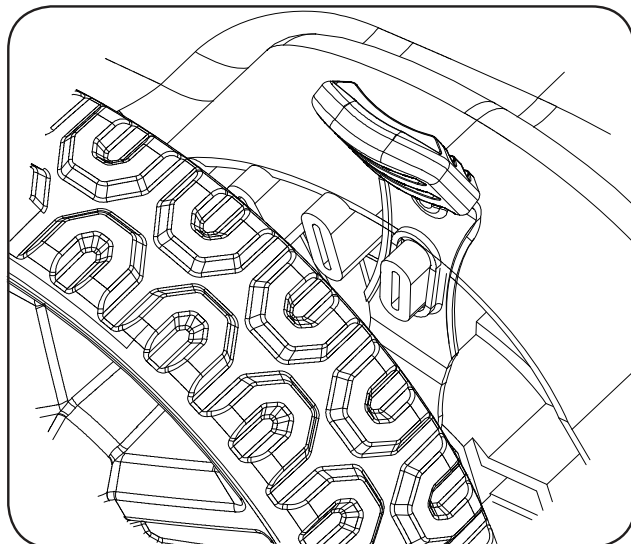
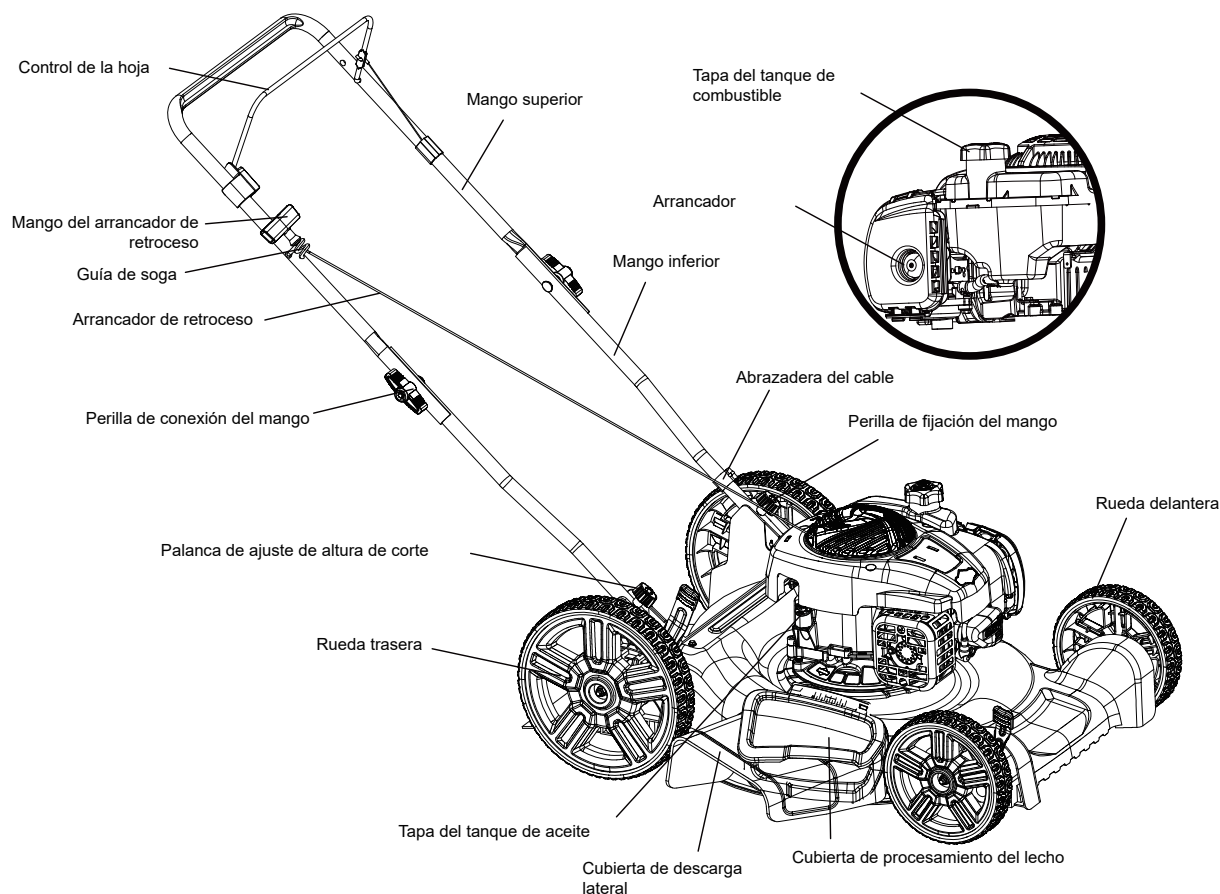


Figure 7

OPERACIÓN



CONTROL DE LA CUCHILLA

El control de la cuchilla está unido al mango superior de la cortadora. Presione y sostenga contra la manija superior para operar. Suéltelo para detener el motor y la cuchilla.

⚠ ADVERTENCIA

Este control de la cuchilla es un dispositivo de seguridad. Nunca intente omitir su funcionamiento.

CUBIERTA DE DESCARGA LATERAL

Su cortadora de césped se envía como una procesadora de lecho. Para descargar los recortes de césped a un lado, siga las instrucciones en la sección de ensamblaje para colocar la cubierta de descarga lateral.

⚠ ADVERTENCIA

Mantenga las manos y los pies alejados del área del conducto en la plataforma de corte. Consulte la etiqueta de advertencia de la unidad.

CUBIERTA DE PROCESAMIENTO DEL LECHO

La cubierta de procesamiento del lecho se utiliza para procesar el lecho del césped. En lugar de recoger los recortes de césped en un recogedor de césped o utilizar el conducto de descarga lateral, algunos modelos de cortadoras tienen la opción de recircular los recortes de césped al césped. A esto se le llama procesamiento del lecho. Cierre la cubierta de procesamiento del lecho cuando lo procese para que la hierba cortada no pueda descargarse por los lados.

PALANCA DE AJUSTE DE ALTURA DE CORTE

Este producto está diseñado con ajuste de altura de doble palanca. La altura de la rueda delantera y la rueda trasera se puede ajustar respectivamente mediante dos palancas de ajuste de la altura de corte que se ubican sobre la rueda delantera y la rueda trasera. Hay disponibles 6 alturas de corte (de 3.2 a 9.5 cm). Para ajustar la altura de corte, consulte la sección de montaje.

ARRANCADOR DE RETROCESO

El arrancador de retroceso está unido al mango superior derecho. Presione y sostenga el mango de control de la cuchilla, luego tire de la cuerda del arrancador de retroceso para encender la unidad.

ARRANCADOR

El arrancador se encuentra en el lado izquierdo del motor. El arrancador se usa para bombear gasolina al carburador y ayudar a arrancar el motor.

OPERACIÓN

⚠ ADVERTENCIA

Asegúrese de que nadie más que el operador esté parado cerca de la cortadora de césped mientras arranca el motor o la opera. Nunca haga funcionar el motor en interiores o en áreas cerradas y mal ventiladas. El escape del motor contiene monóxido de carbono, un gas inodoro y mortal. Siempre mantenga las manos, los pies, el cabello y la ropa suelta alejados de las piezas móviles del motor y de la máquina.

COMBUSTIBLE y ACEITE

Consulte el Manual del operador del motor para obtener instrucciones sobre el combustible y el aceite.

PARA ARRANCAR EL MOTOR

1. Empuje el arrancador tres veces. No arranque para reiniciar un motor caliente.
2. Parado detrás de la cortadora, jale el mango de control de la cuchilla hacia atrás contra el mango superior (Figura 8).
3. Mientras sostiene el control de la hoja contra el mango superior, sujete el mango del motor de arranque y tire de la cuerda hacia afuera con un movimiento rápido, continuo y completo del brazo. Manteniendo un agarre firme en la manija de arranque, deje que la cuerda se rebobine lentamente. Repita hasta que arranque el motor. Deje que la cuerda se rebobine lentamente cada vez.

⚠ ADVERTENCIA

Si presiona el arrancador demasiadas veces, el exceso de combustible inundará el motor y será difícil arrancar.

⚠ ADVERTENCIA

Mantenga un agarre firme en el mango del cable de arranque para evitar una retracción rápida del cable de arranque (contragolpe). La retracción rápida puede empujar la mano y el brazo hacia el motor más rápido de lo que puede soltarlo y provocar fracturas óseas, hematomas o esguinces.

PARA DETENER EL MOTOR

1. Suelte el control de la cuchilla para detener el motor y la cuchilla.

⚠ ADVERTENCIA

Espere a que la cuchilla se detenga por completo antes de realizar cualquier trabajo en la cortadora.

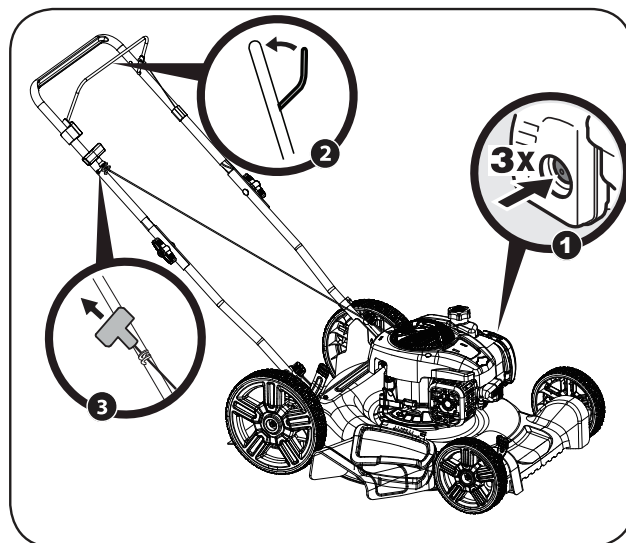


Figure 8

USO DE SU CORTADORA DE CÉSPED

Asegúrese de que el césped esté libre de piedras, palos, alambres u otros objetos que puedan dañar la cortadora de césped o el motor. Dichos objetos podrían ser arrojados accidentalmente por la cortadora de césped en cualquier dirección y causar lesiones personales graves al operador y a otras personas.

Para un césped sano, corte siempre un tercio o menos de la longitud total del césped.

Cuando corte césped pesado, reduzca la velocidad de marcha para permitir un corte más eficaz y una descarga adecuada de los recortes.

No corte la hierba mojada. Se adherirá a la parte inferior de la plataforma y evitará el cortar correctamente el lecho del césped.

El césped nuevo o grueso puede requerir un corte más estrecho o una altura de corte más alta.

⚠ ADVERTENCIA

El funcionamiento de cualquier cortadora de césped puede provocar que se le arrojen objetos extraños a los ojos, lo que puede dañarlos gravemente. Siempre use anteojos de seguridad mientras opera la cortadora, o mientras realiza ajustes o reparaciones en ella.

⚠ ADVERTENCIA

Si golpea un objeto extraño, detenga el motor. Desconecte el cable de la bujía, inspeccione minuciosamente la cortadora en busca de daños y repare los daños antes de reiniciar y operar. La vibración intensa de la cortadora de césped durante el funcionamiento es una indicación de daño. La unidad debe inspeccionarse y repararse de inmediato. Consulte el manual del motor.

SERVICIO Y MANTENIMIENTO

⚠ ADVERTENCIA

Antes de realizar cualquier tipo de mantenimiento/servicio, desactive todos los controles y detenga el motor. Asegúrese de que todas las piezas móviles se hayan detenido por completo. Desconecte el cable de la bujía y póngalo a tierra contra el motor para evitar un arranque involuntario.

Siga el programa de mantenimiento que se indica a continuación. Este cuadro describe únicamente las pautas de servicio. Utilice la columna Registro de servicio para realizar un seguimiento de las tareas de mantenimiento completadas. Consulte el Manual del operador del motor para obtener instrucciones sobre el combustible, el aceite, el filtro de aire y las bujías.

Intervalo	Ítem	Servicio	Registro de servicio
Cada uso	1. Nivel de aceite del motor 2. Hardware suelto o faltante 3. Unidad y motor	1. Verificar 2. Ajustar o reemplazar 3. Limpiar	
Las primeras 5 horas	1. Aceite del motor	1. Cambiar	
Anualmente o 25 horas	1. Bujía 2. Control de conexiones/pivotes y ruedas 3. Parte inferior de la plataforma de corte ²	1. Verificar 2. Lubricar con aceite ligero 3. Limpiar	
Anualmente o 50 horas	1. Filtro de aire y prefiltro (si está equipado) ¹ 2. Aceite de motor	1. Limpiar 2. Cambiar	
Anualmente o 200 horas	1. Filtro de aire y prefiltro ¹	1. Cambiar	
Anualmente	1. Bujía	1. Reemplazar	
Antes del almacenamiento	1. Sistema de combustible	1. Haga funcionar el motor hasta que se detenga por falta de combustible o agregue estabilizador a un tanque lleno de combustible nuevo antes de almacenarlo.	

¹ Limpie con más frecuencia en condiciones de mucho polvo o cuando haya residuos en el aire.

² Verifique y limpie con más frecuencia si la cortadora de césped se usa típicamente en la configuración de lecho del césped.

⚠ ADVERTENCIA

Siempre detenga el motor, desconecte el cable de la bujía y ponga a tierra contra el motor antes de realizar cualquier tipo de mantenimiento en su máquina.

RECOMENDACIONES GENERALES

- Observe siempre las reglas de seguridad al realizar cualquier mantenimiento.
- La garantía de esta unidad no cubre artículos que hayan quedado sujetos al abuso o negligencia del operador. Para recibir el valor total de la garantía, el operador debe mantener el equipo como se indica aquí.
- El cambio de la velocidad regulada por el motor anulará la garantía del motor.
- Todos los ajustes deben verificarse al menos una vez por temporada.
- Revise periódicamente todos los sujetadores y asegúrese de que estén ajustados.

LIMPIE EL MOTOR

- Diariamente o antes de cada uso, limpie el césped, la paja o la suciedad acumulada del motor. Mantenga limpios el las conexiones, los resortes y los controles. Mantenga el área alrededor y detrás del silenciador libre de residuos combustibles.
- Mantener el motor limpio permite el movimiento del aire alrededor del motor.
- Las piezas del motor deben mantenerse limpias para reducir el riesgo de sobrecalentamiento y la ignición de los desechos acumulados.

⚠ PRECAUCIÓN

No utilice agua para limpiar las piezas del motor. El agua podría contaminar el sistema de combustible. Utilice un cepillo o un paño seco.

CUIDADOS DE LA CUCHILLA

⚠ ADVERTENCIA

Cuando retire la hoja de corte para reemplazarla, protéjase las manos con un par de guantes gruesos o use un trapo grueso para sujetar la hoja. No repare ni altere la hoja.

Inspeccione periódicamente el adaptador de la cuchilla en busca de grietas, especialmente si golpea un objeto extraño. Reemplazar cuando sea necesario. Siga los pasos a continuación para el servicio de la hoja (Figura 9).

1. Desconecte la funda de la bujía de la bujía. Gire la cortadora de lado asegurándose de que el filtro de aire y el carburador estén mirando hacia arriba.
2. Quite el perno y el soporte de campana de la hoja que sujetan la hoja y el adaptador de la hoja al cigüeñal del motor.
3. Retire la cuchilla y el adaptador del cigüeñal.
4. Retire la hoja del adaptador para probar el equilibrio. Equilibre la hoja en un destornillador de eje redondo para comprobar. Retire el metal del lado pesado hasta que se equilibre uniformemente. Al afilar la hoja, siga el ángulo de afilado original. Muela cada borde de corte por igual para mantener la hoja equilibrada.
5. Lubrique el cigüeñal del motor y la superficie interior del adaptador de la cuchilla con aceite ligero. Deslice el adaptador de la cuchilla en el cigüeñal del motor. Coloque la cuchilla en el adaptador de manera que el lado de la cuchilla marcado como "Abajo" (o con el número de pieza) mire hacia el suelo cuando la cortadora esté en la posición de funcionamiento. Asegúrese que la hoja esté alineada y asentada en las bridas del adaptador de la hoja.
6. Coloque el soporte de la campana de la hoja sobre la hoja. Alinee las muescas del soporte de la campana de la hoja con los pequeños orificios de la hoja.
7. Reemplace el perno hexagonal y ajuste el perno hexagonal al par: 29.5-33.2 pie-libra (40-45 Nm) máx.

⚠ ADVERTENCIA

Una hoja desequilibrada provocará una vibración excesiva al girar a altas velocidades. Puede causar daños a la cortadora y podría romperse y causar lesiones personales.

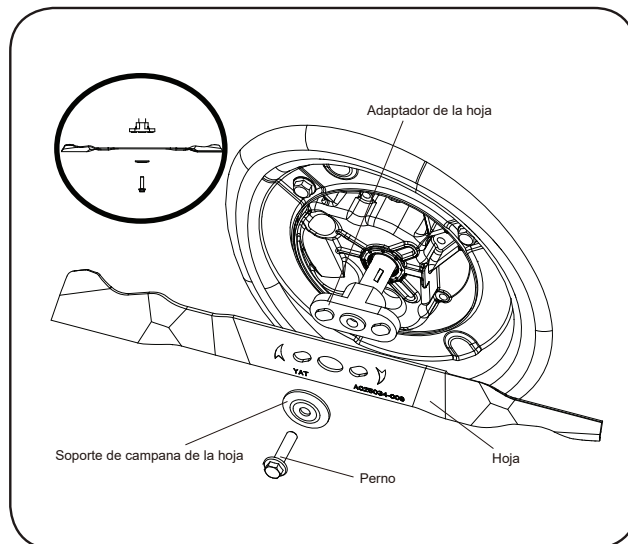


Figure 9

ALMACENAMIENTO FUERA DE TEMPORADA

ADVERTENCIA

Nunca almacene la podadora de césped con combustible en el tanque en interiores o en áreas mal ventiladas donde los vapores del combustible pueden alcanzar una llama abierta, chispa o luz piloto como en un horno, calentador de agua, secadora de ropa o aparato de gas.

PREPARACIÓN DEL MOTOR

Para motores almacenados durante 30 días:

- Para evitar que se forme goma en el sistema de combustible o en las piezas del carburador, haga funcionar el motor hasta que se detenga por falta de combustible o use gasolina mezclada con aditivo de gas. Si usa un aditivo de gas, haga funcionar el motor durante varios minutos para hacer circular el aditivo a través del carburador, después de lo cual el motor y el combustible se pueden almacenar por más de 30 días.
- Mientras el motor aún está caliente, cambie el aceite.
- Limpie el motor de los residuos de la superficie.

PREPARACIÓN DE LA CORTADORA DE CÉSPED

- Limpie y lubrique la cortadora a fondo como se describe en las instrucciones de lubricación.
- No use una lavadora a presión o una manguera de jardín para limpiar su unidad.
- Recubra la cuchilla de corte de la cortadora con grasa para chasis para evitar que se oxide.
- Consulte Preparación del motor para obtener las instrucciones correctas acerca de cómo almacenar el motor.
- Guarde la cortadora en un área limpia y seca. No almacenar cerca de materiales corrosivos, como fertilizantes.
- Al almacenar cualquier tipo de equipo eléctrico en un cobertizo de almacenamiento metálico o mal ventilado, se debe tener cuidado de proteger el equipo contra la oxidación. Con un aceite ligero o silicona, cubra el equipo, especialmente los cables y todas las partes móviles de su cortadora de césped antes de guardarla.

ADVERTENCIA

Desatornille la perilla de fijación del mango inferior y doble el mango hacia arriba para guardarlo. Inserte la perilla en el orificio para evitar que se coloque en otro lugar.

SOLUCIÓN DE PROBLEMAS

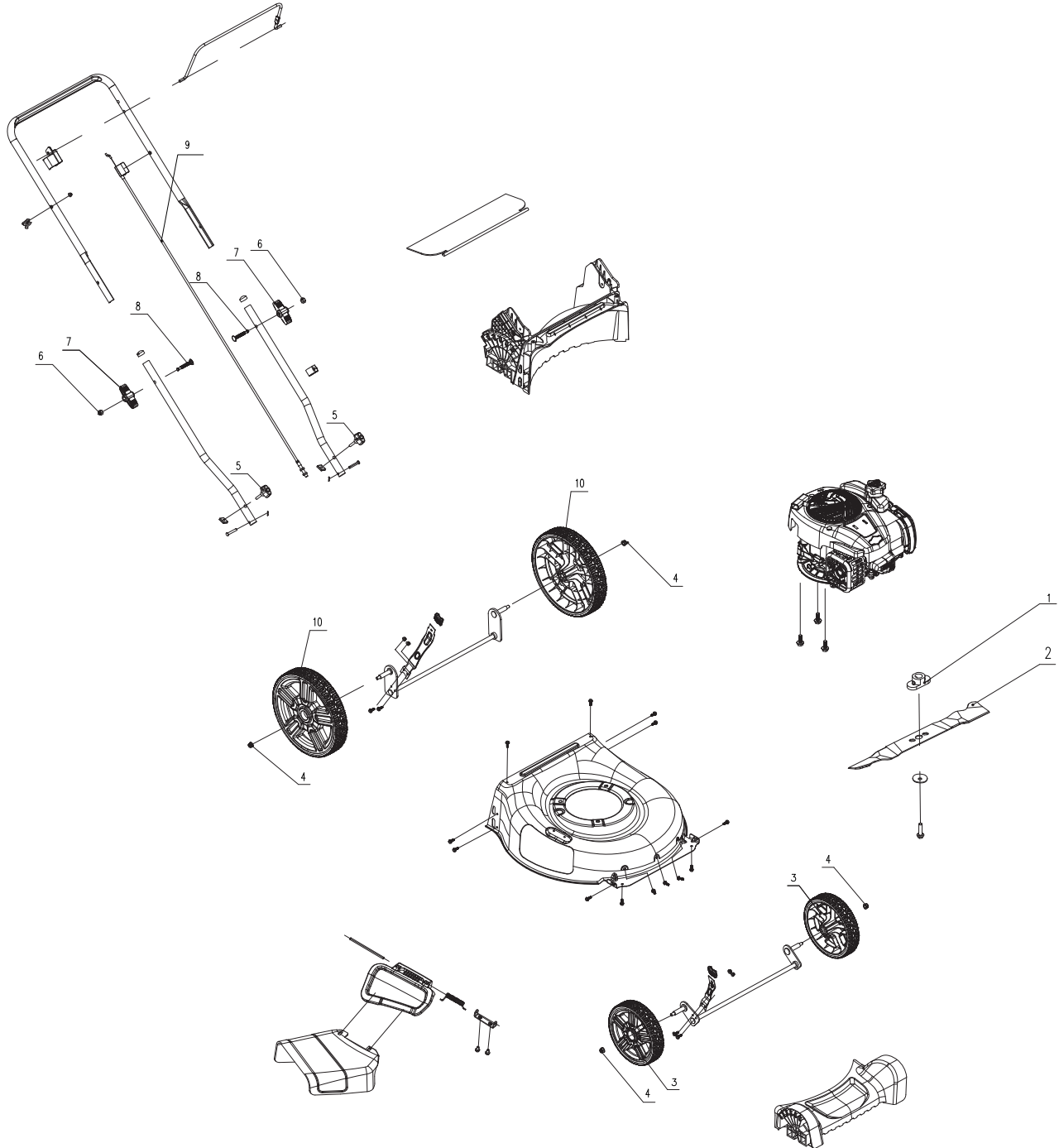
ADVERTENCIA

Desconecte el cable de la bujía y conéctelo a tierra contra el motor para evitar un arranque involuntario. Antes de realizar cualquier tipo de mantenimiento/servicio, desactive todos los controles y detenga el motor. Asegúrese de que todas las piezas móviles se hayan detenido por completo. Utilice siempre gafas de seguridad durante el funcionamiento o mientras realice ajustes o reparaciones.

Esta sección aborda problemas menores de mantenimiento. Consulte el manual de su motor para localizar al distribuidor de servicio Briggs and Stratton más cercano.

Problema	Causa	Solución
El motor no arranca.	<ol style="list-style-type: none"> Control de la cuchilla desactivado. Funda de la bujía desconectada. Depósito de combustible vacío o combustible rancio. Motor no arranca (si está equipado con arrancador). Bujía defectuosa. Motor ahogado. Línea de combustible bloqueada. 	<ol style="list-style-type: none"> Active el control de la hoja. Conecte el cable a la funda de la bujía. Llene el tanque con gasolina nueva y limpia. Arranque el motor como se indica en la sección Operación. Limpiar, ajustar el espacio o reemplazar. Espere unos minutos para reiniciar. Comuníquese con su distribuidor de servicio para limpiar la línea de combustible.
El motor funciona de forma errática	<ol style="list-style-type: none"> La funda de la bujía está suelta. Combustible rancio. Conducto en la tapa de la gasolina obstruido. Agua o suciedad en el sistema de combustible. Filtro de aire sucio. Línea de combustible bloqueada. 	<ol style="list-style-type: none"> Conecte y ajuste la funda de la bujía. Llene el tanque con gasolina nueva y limpia. Limpie el conducto. Haga funcionar el motor hasta que se detenga por falta de combustible. Vuelva a llenar con combustible nuevo. Consulte Filtro de aire en la sección Mantenimiento del motor. Comuníquese con su distribuidor de servicio para limpiar la línea de combustible.
El motor se sobrecalienta	<ol style="list-style-type: none"> Nivel de aceite del motor bajo. Flujo de aire restringido. 	<ol style="list-style-type: none"> Llene el cárter con el aceite adecuado. Limpie el área alrededor y encima del motor.
Saltos ocasionales (vacila)	<ol style="list-style-type: none"> El espacio de la bujía es demasiado pequeño. 	<ol style="list-style-type: none"> Ajuste la brecha con un especialista calificado.
No entra en inactividad correctamente	<ol style="list-style-type: none"> Bujía sucia, defectuosa o la brecha es demasiado amplia. Filtro de aire sucio. 	<ol style="list-style-type: none"> Acorte la brecha o reemplace la bujía. Consulte Filtro de aire en la sección Mantenimiento del motor.
Vibración excesiva	<ol style="list-style-type: none"> Cuchilla de corte suelta o desequilibrada. Cuchilla de corte doblada. 	<ol style="list-style-type: none"> Ajuste la cuchilla y el adaptador. Equilibre la hoja. Reemplace la cadena.

PART



No.	Part #	Description	Qty.
1	A025036-006-00	Adaptador de hoja	1
2	A025034-009-00	Espada	1
3	A025034-003-00	Rueda delantera	2
4	8NE-08D01	Tuerca	4
5	A025034-011-00	Perilla de fijación del mango	2
6	8NA-08D	Tuerca	2
7	A025036-010-00	Perilla de conexión del mango	2
8	A025036-004-00	Tornillo	2
9	A025036-011-00	Montaje de cable	1
10	A025034-004-00	Rueda trasera	2

GARANTÍA

GARANTÍA LIMITADA DE DOS AÑOS

Garantía limitada de 2 años en toda la serie Senix B&S de equipos de gasolina.

Este producto Senix se garantiza DURANTE DOS AÑOS, a partir de la fecha original de compra en un comercio minorista, contra defectos de materiales o mano de obra. El producto defectuoso se reparará gratuitamente.*

La presente garantía no cubre el desgaste normal de las partes y los componentes, como la cadena de corte, la línea o las cuchillas ni tampoco cubre esta garantía el costo de transporte del producto para garantía o servicio.

La garantía está sujeta a las siguientes condiciones:

- Para problemas con las piezas del motor, consulte el manual del motor para localizar al distribuidor de servicio autorizado más cercano para cualquier problema relacionado con la garantía
- La garantía se aplica al comprador original en comercio minorista y no es transferible*
- Registro de garantía en www.senixtools.com
- Solo se han utilizado accesorios originales de Senix con o en este producto
- La herramienta presenta un desgaste normal
- La herramienta no se ha utilizado con fines comerciales o profesionales
- La herramienta no se ha utilizado con fines de alquiler
- Esta garantía solo cubre defectos que ocurran bajo el uso normal y no cubre casos de mal funcionamiento, fallo o defecto que emanen de un uso incorrecto, abuso (incluyendo sobrecarga del producto, exposición al agua o la lluvia), accidentes, negligencia e instalación, mantenimiento o almacenamiento inadecuados.

Para localizar a su proveedor de servicios de Senix más cercano, llame gratis al 1-800-261-3981 o envíenos un correo electrónico a senix.service@yat.com.

Limitaciones adicionales

Limitado a dos años a partir de la fecha de compra del equipo eléctrico. El fabricante no asume ninguna responsabilidad por daños directos, indirectos, incidentales o consecuentes. Algunos estados y provincias no permiten limitaciones en cuanto a la duración de una garantía implícita o no permiten la exclusión o limitación de daños incidentales, por lo que es posible que las limitaciones y exclusiones anteriores no se apliquen a usted.

SENIX TOOLS no asume ninguna responsabilidad con respecto a la responsabilidad civil que emane de un uso abusivo o no conforme al uso y mantenimiento adecuados de la máquina, descritos en el manual del operador.

SENIX TOOLS no asume ninguna responsabilidad por daños directos, indirectos, incidentales o consecuentes.

Después de la compra, el fabricante recomienda el mantenimiento adecuado de la máquina y leer el manual del operador antes de utilizar la máquina.

*Se puede exigir un recibo de compra original como justificante de compra

Para soporte al cliente, llame al 1-800-261-3981 o envíenos un correo electrónico a senix.service@yat.com

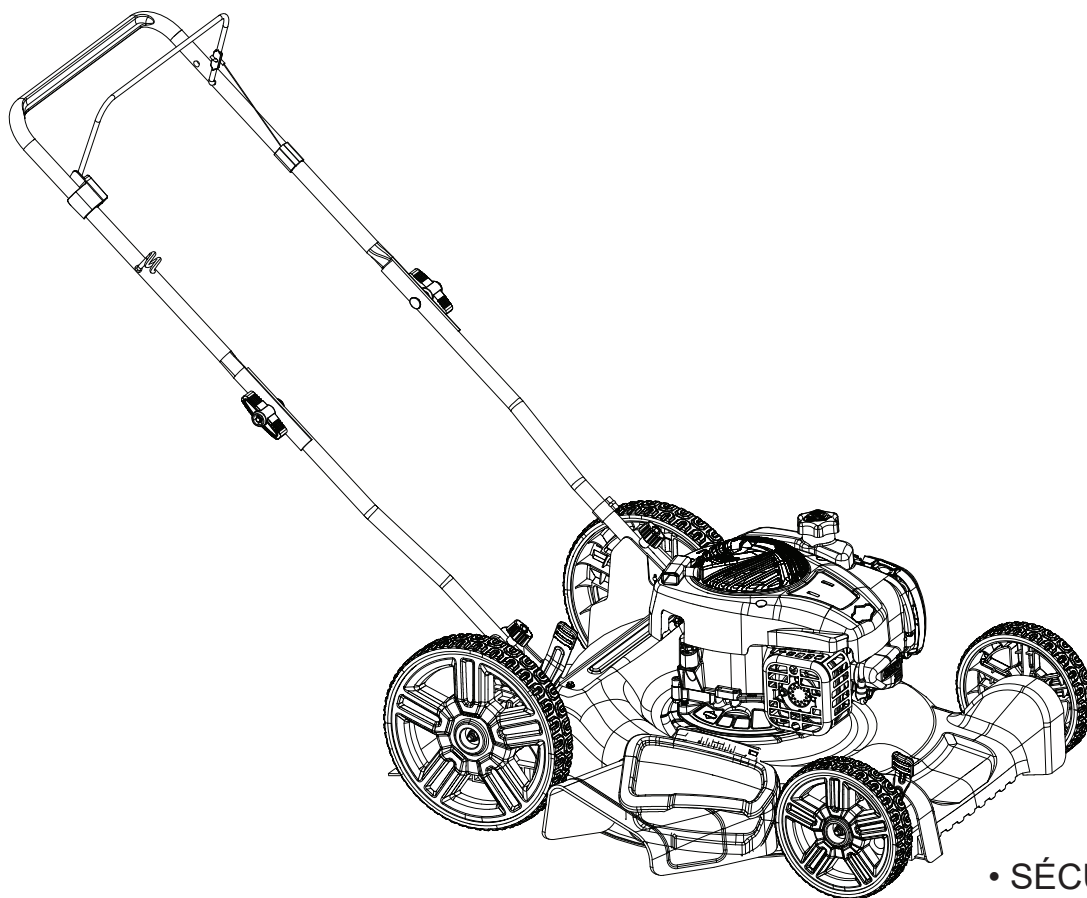
Manuel d'instructions



TONDEUSE À GAZON 21"

Numéro de modèle LSPG-M4 (125 CC)

LSPG-M6 (140CC)



ATTENTION : Avant d'utiliser ce produit, lisez ce manuel et suivez toutes les règles de sécurité et les instructions d'utilisation.

- SÉCURITÉ
- ASSEMBLAGE
- FONCTIONNEMENT
- ENTRETIEN
- GARANTIE

SENIX TOOLS 6441 Hendry Road, Suite A, Charlotte, NC 28269

Pour obtenir une assistance à la clientèle, veuillez composer le 1-800-261-3981 ou envoyez-nous un courriel à senix.support@yat.com

www.senixtools.com

TABLE DES MATIÈRES

Déclaration de garantie	Page 36	Réparation et entretien.....	Pages 46-47
Instructions de sécurité.....	Pages 37-39	Entreposage hors saison.....	Page 48
Guide des pentes	Page 41	Guide de dépannage.....	Page 49
Assemblage.....	Pages 42-43	Part.....	Page 50
Fonctionnement	Pages 44-45	Garantie.....	Page 51

DÉCLARATION DE GARANTIE

GARANTIE LIMITÉE SENIX

PENDANT DEUX ANS à compter de la date de vente, ce produit est garanti contre tout défaut de matériel ou de fabrication.

Cette garantie couvre UNIQUEMENT les défauts de matériaux et de fabrication. La couverture de la garantie ne comprend PAS :

- Les articles consommables qui peuvent s'user dans le cadre d'une utilisation normale pendant la période de garantie, tels que les lames de tondeuse, les adaptateurs de lame, les courroies, les filtres ou les bougies d'allumage.
- Les dommages au produit résultant de tentatives de modification ou de réparation du produit par l'utilisateur ou causés par des accessoires du produit.
- Les réparations nécessaires en raison d'un accident ou d'un manquement à l'utilisation ou à l'entretien du produit conformément aux instructions fournies.
- L'entretien préventif ou les réparations nécessaires en raison d'un mélange de carburant inapproprié, d'un carburant contaminé ou éventé.

Cette garantie est nulle si ce produit est utilisé dans le cadre de services commerciaux ou s'il est loué à une autre personne.

Cette garantie vous donne des droits légaux spécifiques, et vous pouvez également avoir d'autres droits qui varient d'un état à l'autre.

SENIX TOOLS 6441 Hendry Rd. Charlotte, NC. 28269

www.senixtools.com

SPÉCIFICATIONS DU PRODUIT

Huile : SAE 30
moteur :
Carburant : Essence sans plomb
Moteur : Briggs & Stratton

NUMÉRO DE MODÈLE

Numéro de modèle : _____
Numéro de série : _____
Date d'achat : _____
Inscrivez le numéro de modèle, le numéro de série et la date d'achat ci-dessus.

INSTRUCTIONS DE SÉCURITÉ

AVERTISSEMENT

Ce symbole signale des consignes de sécurité importantes qui, si elles ne sont pas respectées, peuvent mettre en danger votre sécurité personnelle et/ou vos biens et ceux des autres. Lisez et suivez toutes les instructions de ce manuel avant d'essayer d'utiliser cette machine. Le non-respect de ces instructions peut entraîner des blessures corporelles.

DANGER

Cette machine a été conçue pour être utilisée conformément aux pratiques d'utilisation sécuritaires contenues dans ce manuel. Comme avec tout type d'équipement motorisé, une négligence ou une erreur de la part de l'opérateur peut entraîner des blessures graves. Cette machine est capable d'amputer des doigts, mains, orteils et pieds et de projeter des débris. Le non-respect des consignes de sécurité suivantes peut entraîner des blessures graves, voire mortelles.

AVERTISSEMENT

Votre responsabilité - Limitez l'utilisation de cette machine électrique aux personnes qui ont lu, compris et respecté les avertissements et les instructions figurant dans ce manuel et sur la machine.

CONSERVEZ CES INSTRUCTIONS

FONCTIONNEMENT GÉNÉRAL

Lisez attentivement ce manuel d'utilisation dans son intégralité avant de tenter d'assembler cette machine. Lisez, comprenez et suivez toutes les instructions sur la machine et dans les manuels avant l'utilisation. Conservez ce manuel dans un endroit sûr pour pouvoir vous y référer et commander des pièces de rechange.

- Familiarisez-vous complètement avec les commandes et l'utilisation correcte de cette machine avant de l'utiliser.
- Cette machine est un équipement motorisé de précision, et non un jeu. Par conséquent, faites preuve d'une extrême prudence à tout moment. Cette machine a été conçue pour accomplir une seule tâche : tondre le gazon. Ne l'utilisez pas à d'autres fins.
- Ne permettez jamais aux enfants d'utiliser cet appareil.
- Seules des personnes responsables et familiarisées avec ces règles de sécurité doivent être autorisées à utiliser cette machine.
- Inspectez minutieusement la zone où l'équipement doit être utilisé. Retirez tous les cailloux, bâtons, fils de fer, os, jouets et autres objets étrangers sur lesquels vous pourriez trébucher ou qui pourraient être ramassés et projetés par la lame. Les objets projetés peuvent provoquer des blessures graves.
- Planifiez la tonte de la pelouse de manière à éviter que le produit ne soit projeté vers les routes, les trottoirs, les passants et autres. Évitez également de déverser le produit contre un mur ou un obstacle, car il pourrait ricocher vers l'utilisateur.
- Pour éviter tout contact avec la lame ou toute blessure causée par un objet projeté, restez dans la zone de l'opérateur derrière les poignées et gardez les enfants, les spectateurs, les aides et les animaux domestiques à au moins 75 pieds de la tondeuse lorsqu'elle est en marche. Arrêtez la machine si quelqu'un pénètre dans la zone.
- Portez toujours des lunettes de sécurité ou des lunettes à coques pendant le fonctionnement et lors d'un réglage ou d'une réparation pour protéger vos yeux. Les objets projetés qui ricochent peuvent causer des blessures graves aux yeux.
- Portez des chaussures de travail robustes à semelles rugueuses, des pantalons amples, des chemises et des protections auditives. Il est recommandé de porter des chemises et des pantalons qui couvrent les bras et les jambes et des chaussures à embout d'acier. N'utilisez jamais cette machine pieds nus, avec des sandales, des chaussures glissantes ou légères (par exemple, en toile).
- Ne mettez pas les mains ou les pieds près des pièces en rotation ou sous le plateau de coupe. Le contact avec la lame peut amputer les doigts, les mains, les orteils et les pieds. Restez à l'écart de l'ouverture de décharge à tout moment.
- Un couvercle de décharge manquant ou endommagé peut provoquer des blessures par contact avec la lame ou par projection d'objets.
- De nombreuses blessures sont dues au fait que la tondeuse est tirée sur le pied lors d'une chute causée par un glissement ou un trébuchement. Ne vous accrochez pas à la tondeuse si vous tombez : lâchez immédiatement la poignée.
- Ne tirez jamais la tondeuse vers vous pendant que vous marchez. Si vous devez reculer la tondeuse pour vous éloigner d'un mur ou d'un obstacle, regardez d'abord en bas et derrière vous pour éviter de trébucher, puis suivez les étapes suivantes :
 - a. Reculez de la tondeuse pour étendre complètement vos bras vers l'avant.
 - b. Assurez-vous que vous êtes bien équilibré et que vous avez le pied sûr.
 - c. Tirez lentement la tondeuse vers l'arrière, pas plus de la moitié du chemin vers vous.
 - d. Répétez ces étapes si nécessaire.
- N'utilisez pas la tondeuse sous l'influence de l'alcool ou de drogues.
- N'engagez pas le mécanisme autopropulsé des machines ainsi équipées pendant le démarrage du moteur.
- La poignée de commande de la lame est un dispositif de sécurité. N'essayez jamais de contourner son fonctionnement. Cela rendrait le dispositif de sécurité inopérant et pourrait entraîner des blessures par contact avec la lame en rotation. La poignée de commande de la lame doit pouvoir être actionnée facilement dans les deux sens et revenir automatiquement à la position désengagée lorsqu'elle est relâchée.
- N'utilisez jamais la tondeuse dans de l'herbe mouillée. Soyez toujours sûr de votre équilibre. Un glissement et une chute peuvent entraîner des blessures graves. Si vous sentez que vous perdez pied, relâchez immédiatement la poignée de commande de la lame et la lame s'arrêtera de tourner dans les trois secondes.
- Ne tondez qu'à la lumière du jour ou sous une bonne lumière artificielle. Marchez, ne courez jamais.
- Arrêtez la lame lorsque vous traversez une allée, un chemin ou une route en gravier.
- Si l'équipement commence à vibrer anormalement, arrêtez le moteur et recherchez immédiatement la cause. Les vibrations sont généralement le signe d'un problème.
- Arrêtez le moteur et attendez l'arrêt complet de la lame avant de retirer le bac à herbe ou de déboucher la goulotte. La lame de coupe continue à tourner pendant quelques secondes après le relâchement de la commande de la lame.
- Ne placez jamais une partie de votre corps dans la zone de la lame avant d'être sûr que la lame s'est arrêtée de tourner.
- N'utilisez jamais la tondeuse si le carter de protection, le couvercle de décharge, le bac à herbe, la poignée de commande de la lame ou tout autre dispositif de sécurité n'est pas en place et ne fonctionne pas. N'utilisez jamais une tondeuse dont les dispositifs de sécurité sont endommagés. Le non-respect de cette consigne peut entraîner des blessures corporelles. Vérifiez fréquemment les signes d'usure ou de détérioration et remplacez-les si nécessaire.
- Le silencieux et le moteur deviennent chauds et peuvent provoquer des brûlures. Ne les touchez pas.
- N'essayez jamais d'effectuer un réglage de la roue ou de la hauteur de coupe lorsque le moteur est en marche.

INSTRUCTIONS DE SÉCURITÉ

- N'utilisez que des pièces et des accessoires fabriqués pour cette machine par le fabricant, comme indiqué dans les pages de pièces de ce manuel d'utilisation. Le non-respect de cette consigne peut entraîner des blessures corporelles.
- Lors du démarrage du moteur, tirez lentement sur le cordon jusqu'à ce que vous sentiez une résistance, puis tirez rapidement. Une rétraction rapide du cordon du démarreur (recul) tirera la main et le bras vers le moteur plus vite que vous ne pouvez les relâcher. Des os cassés, des fractures, des contusions ou des entorses peuvent en résulter.
- Si des situations non couvertes par ce manuel se présentent, faites preuve de prudence et de bon sens

LORS DE L'UTILISATION DE LA MACHINE SUR UNE PENTE.

Les pentes sont un facteur important d'accidents par glissement et chute, qui peuvent entraîner des blessures graves. L'utilisation de la machine sur des pentes exige une prudence accrue. Si vous ne vous sentez pas à l'aise sur une pente, ne la tondez pas. Pour votre sécurité, utilisez le guide des pentes inclus dans ce manuel pour mesurer les pentes avant d'utiliser cette machine sur une zone en pente ou vallonnée. Si la pente est supérieure à 15 degrés, ne la tondez pas.

Conseils à suivre :

- Tondez en travers de la face des pentes ; jamais de haut en bas. Faites preuve d'une extrême prudence lorsque vous changez de direction sur les pentes.
- Faites attention aux trous, aux ornières, aux pierres, aux objets cachés ou aux bosses qui peuvent vous faire glisser ou trébucher. Les herbes hautes peuvent cacher des obstacles. Un terrain irrégulier peut faire basculer la machine ou faire perdre l'équilibre ou le pied à l'opérateur.
- Soyez toujours sûr de votre équilibre. Un glissement et une chute peuvent entraîner des blessures graves. Si vous sentez que vous perdez l'équilibre, relâchez immédiatement la poignée de commande de la lame qui s'arrêtera de tourner dans les trois (3) secondes.
- Faites très attention lorsque vous utilisez la machine avec un bac à herbe ou d'autres accessoires. Ils peuvent affecter la stabilité de la machine.

Ne procédez pas comme suit :

- Ne démarrez pas et ne vous arrêtez pas sur les pentes. Évitez les changements brusques de vitesse ou de direction. Effectuez les virages lentement et progressivement.
- Ne tondez pas à proximité de dénivelés, de fossés ou de talus, car vous pourriez perdre pied ou l'équilibre.
- Ne tondez pas de pentes supérieures à 15 degrés, comme indiqué sur le guide des pentes.
- Ne tondez pas sur de l'herbe mouillée. Une assise instable pourrait vous faire glisser.

TRANSPORT

Utilisez des rampes de pleine largeur pour charger et décharger une machine pour le transport.

ENFANTS

Des accidents tragiques peuvent se produire si l'opérateur n'est pas attentif à la présence d'enfants. Les enfants sont souvent attirés par la tondeuse et l'activité de tonte. Ils ne comprennent pas les dangers. Ne supposez jamais que les enfants resteront là où vous les avez vus pour la dernière fois.

- Gardez les enfants hors de la zone de tonte et sous la surveillance d'un adulte responsable autre que l'opérateur.
- Soyez vigilant(e) et arrêtez la tondeuse si un enfant pénètre dans la zone.

- Avant de reculer et pendant que vous reculez, regardez derrière vous et vers le bas à la recherche de petits enfants.
- Soyez très prudent(e) lorsque vous approchez d'un angle mort, d'une porte, d'un arbuste, d'un arbre ou de tout autre objet susceptible de vous empêcher de voir un enfant qui pourrait heurter la tondeuse.
- Tenez les enfants éloignés des moteurs chauds ou en marche. Ils peuvent être brûlés par un silencieux chaud.
- Ne laissez jamais des enfants de moins de 14 ans utiliser cette machine. Les enfants de 14 ans et plus devraient lire et comprendre les instructions et les pratiques d'utilisation sécuritaires contenues dans ce manuel et sur la machine et être formés et supervisés par un adulte.

RÉPARATIONS

Manipulation sécuritaire de l'essence

Pour éviter toute blessure ou tout dommage matériel, faites très attention lors de la manipulation de l'essence. L'essence est extrêmement inflammable et les vapeurs sont explosives. Des blessures graves peuvent se produire si de l'essence est renversée sur vous-même ou sur vos vêtements et peut s'enflammer. Lavez votre peau et changez de vêtements immédiatement.

- N'utilisez qu'un récipient à essence homologué.
- Ne remplissez jamais de récipients à l'intérieur d'un véhicule ou sur le plateau d'un camion ou d'une remorque avec une doublure en plastique. Placez toujours les récipients sur le sol, loin de votre véhicule, avant de les remplir.
- Retirez l'équipement à essence du camion ou de la remorque et faites le plein sur le sol. Si cela n'est pas possible, faites le plein de cet équipement sur une remorque à l'aide d'un récipient portable, plutôt qu'à partir d'un pistolet distributeur d'essence.
- Maintenez le pistolet en contact avec le bord du réservoir ou de l'ouverture du récipient en tout temps jusqu'à ce que le ravitaillement soit terminé. N'utilisez pas de dispositif de verrouillage du pistolet.
- Éteignez toutes les cigarettes, cigares, pipes et autres sources d'inflammation.
- Ne faites jamais le plein de la machine à l'intérieur car les vapeurs inflammables s'y accumulent.
- Ne retirez jamais le bouchon du réservoir et n'ajoutez jamais de carburant lorsque le moteur est chaud ou en marche. Laissez le moteur refroidir au moins deux minutes avant de faire le plein.
- Ne remplissez jamais excessivement le réservoir de carburant. Pour permettre l'expansion du carburant, ne remplissez pas le réservoir au-delà du fond du col du réservoir.
- Remettez le bouchon du réservoir d'essence en place et serrez-le fermement.
- Si de l'essence est renversée, essuyez-la sur le moteur et l'équipement. Déplacez la machine vers une autre zone. Attendez 5 minutes avant de démarrer le moteur.
- Ne rangez jamais la machine ou le réservoir de carburant à proximité d'une flamme nue, d'une étincelle ou d'une veilleuse comme celle d'un chauffe-eau, d'un chauffage d'appoint, d'un four, d'un sèche-linge ou d'autres appareils à gaz.
- Pour réduire les risques d'incendie, ne laissez pas d'herbe, de feuilles ou d'autres débris s'accumuler sur la machine. Nettoyez les déversements d'huile ou de carburant et enlevez les débris imbibés de carburant.
- Laissez la machine refroidir au moins 5 minutes avant de la ranger.

INSTRUCTIONS DE SÉCURITÉ

ENTRETIEN GÉNÉRAL

Ne faites jamais tourner un moteur à l'intérieur ou dans un endroit mal ventilé. Les gaz d'échappement du moteur contiennent du monoxyde de carbone, un gaz inodore et mortel.

- Avant de nettoyer, réparer ou inspecter, assurez-vous que la lame et toutes les pièces mobiles sont arrêtées. Débranchez le fil de la bougie et mettez-le à la masse contre le moteur pour éviter tout démarrage intempestif.
- Vérifiez à intervalles réguliers que les boulons de fixation de la lame et du moteur sont bien serrés. Vérifiez également visuellement que la lame n'est pas endommagée (par exemple, pliée, fissurée, usée).
- Remplacez la lame uniquement par une lame de fabrication originale (O.E.M.), répertoriée dans les pages Pièces de ce manuel. L'utilisation de pièces qui ne sont pas conformes aux spécifications de l'équipement d'origine peut entraîner une mauvaise performance et compromettre la sécurité !
- Les lames de la tondeuse sont tranchantes et peuvent couper. Enveloppez la lame ou portez des gants, et soyez très prudent lorsque vous les entretenez.
- Maintenez tous les écrous, boulons et vis serrés pour vous assurer que l'équipement est en bon état de marche.
- Ne modifiez jamais les dispositifs de sécurité. Vérifiez régulièrement leur bon fonctionnement.
- Après avoir heurté un objet étranger, arrêtez le moteur, débranchez le fil de la bougie et mettez-le à la terre contre le moteur. Inspectez minutieusement la tondeuse pour détecter tout dommage éventuel. Réparez les dommages avant de démarrer et d'utiliser la tondeuse.
- N'essayez jamais d'effectuer un réglage de la roue ou de la hauteur de coupe lorsque le moteur est en marche.
- Le couvercle de décharge et le carter de protection sont sujets à l'usure et aux dommages qui pourraient exposer les pièces mobiles ou permettre la projection d'objets. Pour des raisons de sécurité, vérifiez fréquemment les composants et remplacez-les immédiatement par des pièces d'origine du fabricant (O.E.M.) uniquement, répertoriées dans les « pièces » de ce manuel. L'utilisation de pièces qui ne sont pas conformes aux spécifications de l'équipement d'origine peut entraîner une mauvaise performance et compromettre la sécurité !
- Ne modifiez pas les réglages du régulateur du moteur et ne faites pas fonctionner le moteur au-delà de la vitesse maximale. Le régulateur contrôle la vitesse maximale de fonctionnement du moteur en toute sécurité.
- Vérifiez fréquemment l'absence de fissures ou de fuites dans la conduite de carburant, le réservoir, le bouchon et les raccords. Remplacez-les si nécessaire.
- Ne faites pas tourner le moteur si la bougie est enlevée.
- Maintenez ou remplacez les étiquettes de sécurité et d'instructions, si nécessaire.
- Respectez les lois et règlements relatifs à l'élimination des déchets. L'élimination incorrecte des fluides et des matériaux peut nuire à l'environnement.
- Selon la Commission de sécurité des produits de consommation (CPSC) et l'Agence américaine de protection de l'environnement (EPA), ce produit a une durée de vie utile moyenne de sept (7) ans, soit 140 heures de fonctionnement. À la fin de la durée de vie utile moyenne, faites inspecter la machine chaque année pour vous assurer que tous les systèmes mécaniques et de sécurité fonctionnent correctement et ne sont pas usés de manière excessive. Le non-respect de cette consigne peut entraîner des accidents, des blessures ou la mort.












NE MODIFIEZ PAS LE MOTEUR

Pour éviter toute blessure grave ou mortelle, ne modifiez pas le moteur de quelque façon que ce soit. Toute modification du réglage du régulateur peut entraîner l'emballlement du moteur et le faire fonctionner à des vitesses dangereuses. Ne modifiez jamais le réglage d'usine du régulateur du moteur.

INSTRUCTIONS DE SÉCURITÉ

SYMBOLES DE SÉCURITÉ

Cette page illustre et décrit les symboles de sécurité qui peuvent apparaître sur ce produit. Lisez, comprenez et suivez toutes les instructions sur la machine avant de tenter de l'assembler et de l'utiliser.

Symbol	Description
	LISEZ LE(S) MANUEL(S) D'UTILISATION Lisez, comprenez et suivez toutes les instructions du ou des manuels d'utilisation avant d'essayer d'assembler et d'utiliser l'appareil.
	DANGER - LAMES EN ROTATION Pour réduire le risque de blessure, gardez les mains et les pieds éloignés. N'utilisez pas la tondeuse si le couvercle de décharge ou le bac à herbe n'est pas à sa place. S'il est endommagé, remplacez-le immédiatement.
	DANGER — SPECTATEURS Ne tondez pas en présence d'enfants ou d'autres personnes.
	DANGER - COUPURE DES MAINS ET DES PIEDS Gardez les mains et les pieds éloignés des pièces mobiles.
	DANGER - DÉBRIS PROJÉTÉS Retirez les objets qui peuvent être projetés par la lame dans n'importe quelle direction. Portez des lunettes de sécurité.
	DANGER — PENTES Redoublez de prudence sur les pentes. Ne tondez pas des pentes supérieures à 15°.
	AVERTISSEMENT - L'ESSENCE EST INFLAMMABLE Laissez le moteur refroidir au moins deux minutes avant de faire le plein.
	AVERTISSEMENT — MONOXYDE DE CARBONE Ne faites jamais tourner un moteur à l'intérieur ou dans un endroit mal ventilé. Les gaz d'échappement du moteur contiennent du monoxyde de carbone, un gaz inodore et mortel.
	AVERTISSEMENT - SURFACE CHAUDE Les pièces du moteur, en particulier le silencieux, deviennent extrêmement chaudes pendant le fonctionnement. Laissez le moteur et le silencieux refroidir avant de les toucher.
	AVERTISSEMENT - REGARDEZ DERRIÈRE VOUS EN RECULANT.
	AVERTISSEMENT — N'OUVREZ PAS ET NE RETIREZ PAS LES CARTERS DE SÉCURITÉ LORSQUE LE MOTEUR TOURNE.



AVERTISSEMENT : Votre responsabilité - Limitez l'utilisation de cette machine électrique aux personnes qui ont lu, compris et respecté les avertissements et les instructions figurant dans ce manuel et sur la machine.

CONSERVEZ CES INSTRUCTIONS!

JAUGE D'INCLINAISON

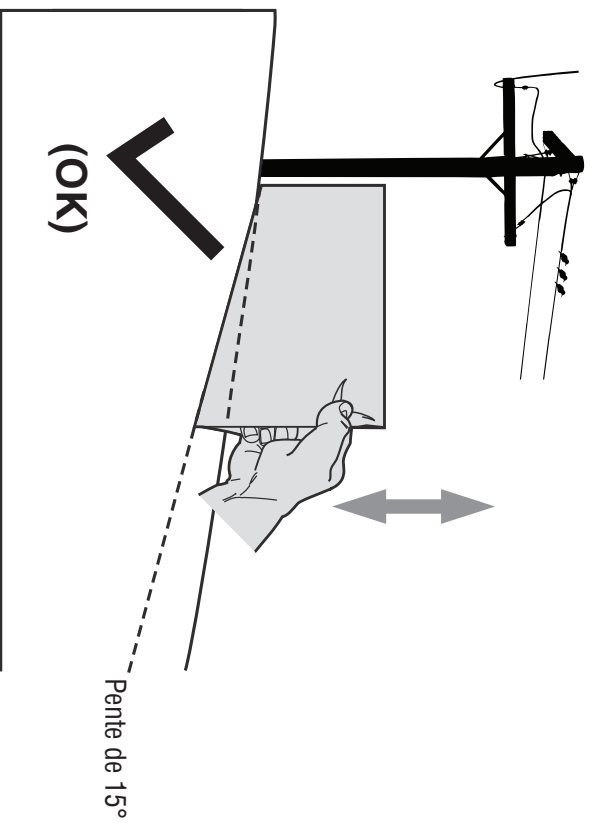


Schéma 1

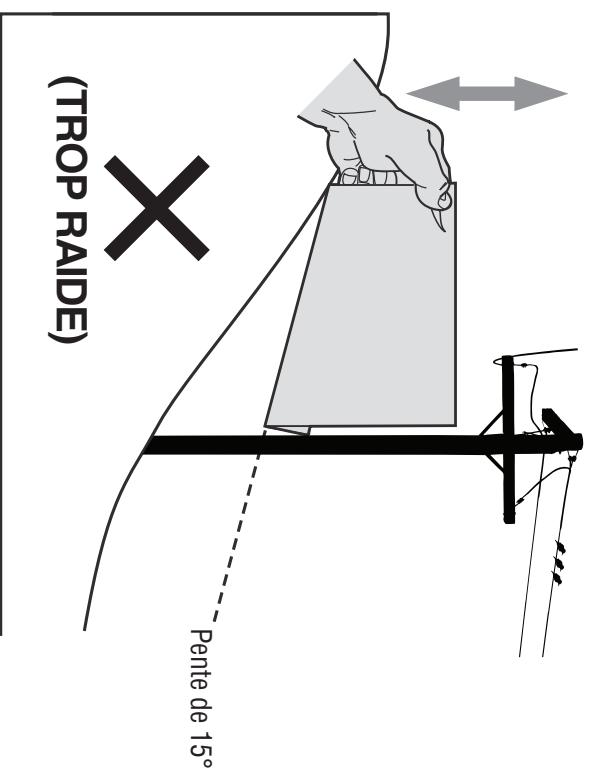


Schéma 2

UTILISEZ CETTE JAUGE DE PENTE POUR DÉTERMINER SI UNE PENTE EST TROP RAIDE POUR UN FONCTIONNEMENT SÛR !

Pour vérifier la pente, procédez comme suit :

1. Retirez cette page et pliez-la le long de la ligne pointillée.
2. Localisez un objet vertical sur ou derrière la pente (par exemple un poteau, un bâtiment, une clôture, un arbre, etc.)
3. Alignez chaque côté de la jauge de pente avec l'objet (voir les schémas 1 et 2).
4. Ajustez la jauge vers le haut ou vers le bas jusqu'à ce que le coin gauche touche la pente (voir les schémas 1 et 2).
5. S'il y a un espace sous la jauge, la pente est trop raide pour une utilisation sûre (voir le schéma 2 ci-dessus).

15° ligne pointillée

⚠ AVERTISSEMENT

Les pentes sont un facteur majeur lié aux accidents de renversement et de retournement qui peuvent entraîner des blessures graves ou la mort. N'utilisez pas la machine sur des pentes de plus de 15 degrés. Toutes les pentes exigent une prudence accrue. Tondez toujours en travers des pentes, ne tondez jamais de haut en bas des pentes.

ASSEMBLAGE

IMPORTANT: Cet appareil est expédié sans essence ni huile dans le moteur.

Assurez-vous de faire l'entretien du moteur avec de l'essence et de l'huile comme indiqué dans le manuel du moteur avant de démarrer ou de faire fonctionner la machine.

NOTE: La référence aux côtés droit et gauche de la tondeuse à gazon est observée depuis la position de fonctionnement.

OUVERTURE DU CARTON

1. Coupez chaque coin du carton verticalement de haut en bas.
2. Retirez toutes les pièces desserrées.
3. Retirez les matériaux d'emballage en vrac.

RETRAIT DE L'APPAREIL DU CARTON

1. Soulevez l'appareil par l'arrière pour le détacher de l'emballage sous-jacent et faites rouler l'appareil hors du carton.
2. Vérifiez soigneusement que le carton ne contient pas d'autres pièces détachées.

Pièces d'assemblage dans le carton

- Bouton de fixation de la poignée (Qté 2)
- Couvercle de décharge latérale
- Bouteille d'huile
- Manuel de l'utilisateur / manuel du moteur

ASSEMBLAGE

Fixation de la poignée

IMPORTANT: Ne serrez pas les câbles lors de l'assemblage de la poignée.

1. Tirez d'abord l'ensemble de la poignée pliée jusqu'à la position de travail (schéma 2).
2. Vissez les deux boutons de fixation de la poignée pour monter la poignée inférieure sur le support de la poignée de la tondeuse (schéma 3).
3. Renforcez la connexion entre la poignée supérieure et la poignée inférieure en serrant les deux boutons de connexion de la poignée (schéma 4).

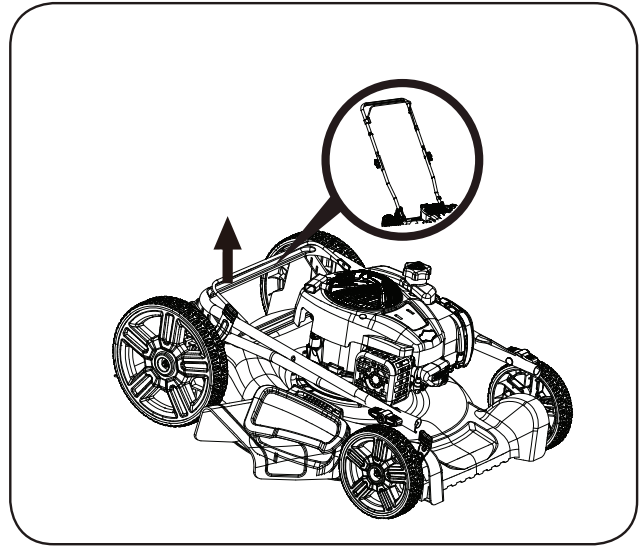


Figure 2

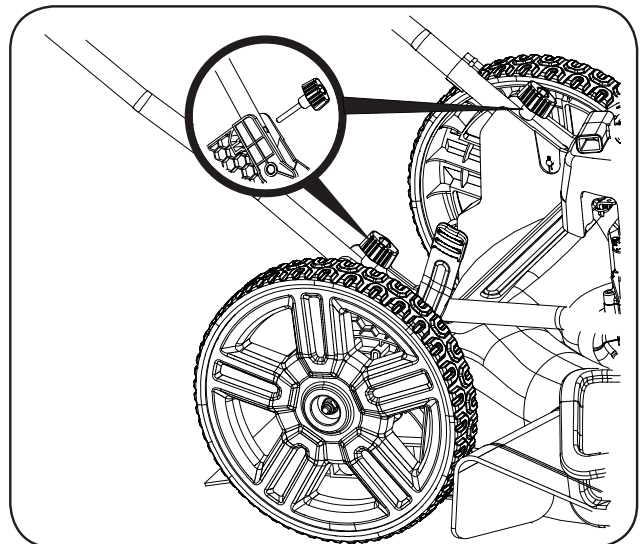


Figure 3

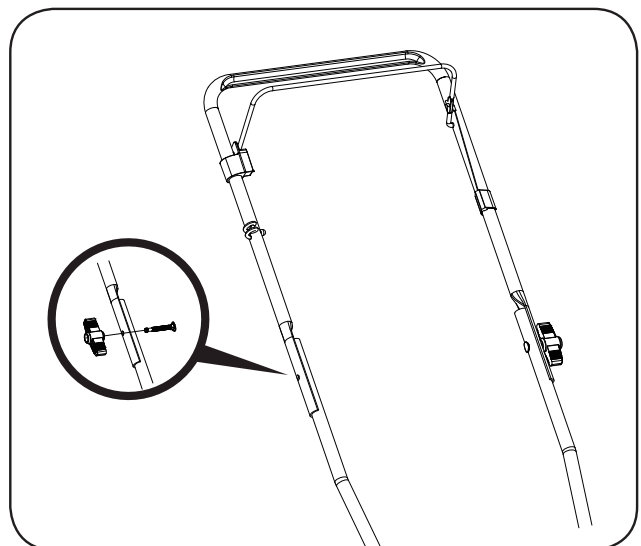


Figure 4

ASSEMBLAGE

Positionnez la corde et le câble du démarreur

1. Tenez la poignée de commande de la lame contre la poignée supérieure (schéma 5).
2. Tirez lentement la poignée du câble de démarrage du moteur et glissez le câble de démarrage dans le guide-câble (schéma 5).
3. Utilisez le serre-câble pour fixer le câble de commande à la poignée (schéma 5).

IMPORTANT: Pour réduire l'usure et permettre un bon fonctionnement, assurez-vous de laisser un peu de mou dans la partie supérieure du câble.

Fixez le couvercle de décharge latérale

1. Soulevez la couverture du broyeur.
2. Faites glisser deux crochets du couvercle de décharge latérale sous l'axe de charnière sur l'assemblage du couvercle de déchetage (schéma 6).
3. Abaissez le couvercle du broyeur. Ne retirez jamais le couvercle latéral du broyeur, même lorsque vous ne faites pas de paillage.

RÉGLAGES

Hauteur de coupe

Ce produit est conçu avec un réglage en hauteur à double levier (schéma 7).
6 hauteurs de coupe (de 1,25 pouce à 3,75 pouces) sont disponibles.

1. Tirez le levier de réglage de la hauteur vers l'extérieur en direction de la roue.
2. Déplacez le levier jusqu'à la position de la hauteur de coupe souhaitée.
3. Relâchez le levier vers le plateau de coupe.

IMPORTANT: Pour éviter tout déséquilibre, gardez toujours les quatre roues à la même hauteur de coupe.

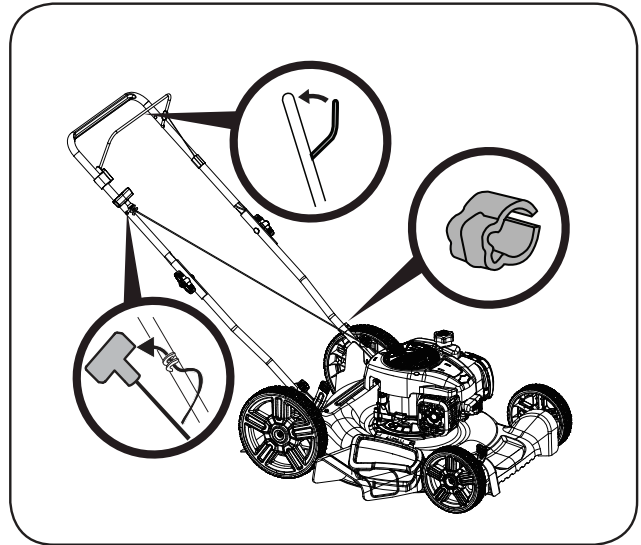


Figure 5

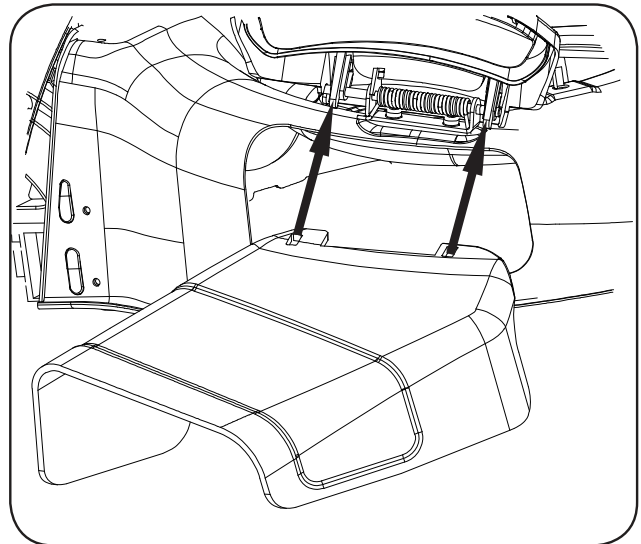


Figure 6

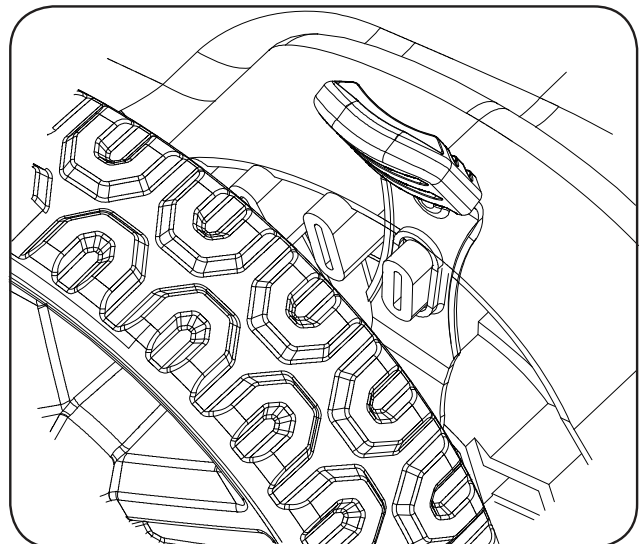
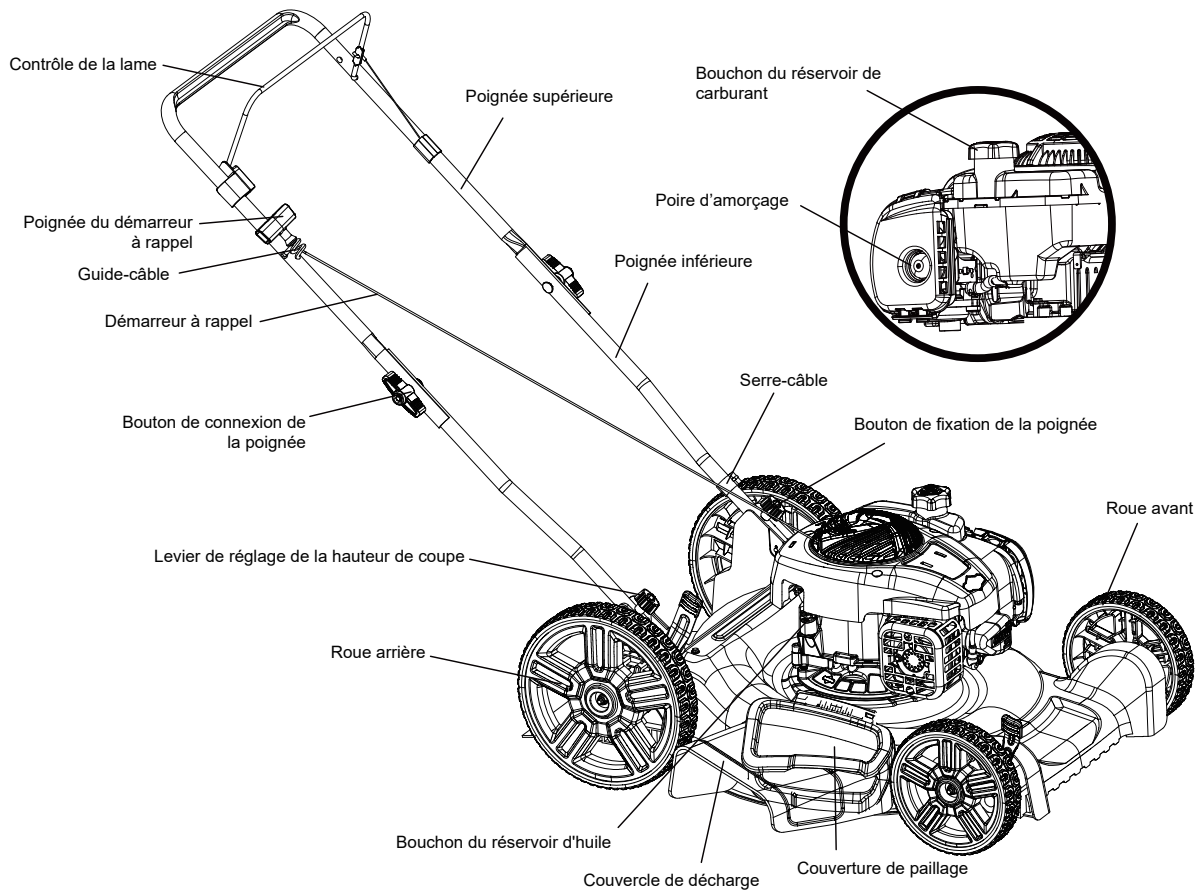


Figure 7

FONCTIONNEMENT



CONTRÔLE DE LA LAME

Le contrôle de lame est fixé à la poignée supérieure de la tondeuse. Appuyez et maintenez-la contre la poignée supérieure pour la faire fonctionner. Relâchez-la pour arrêter le moteur et la lame.

⚠ AVERTISSEMENT

Cette commande de lame est un dispositif de sécurité. N'essayez jamais de contourner son fonctionnement.

COUVERCLE DE DÉCHARGE LATÉRALE

Votre tondeuse est livrée avec un broyeur. Pour éjecter plutôt l'herbe coupée sur le côté, suivez les instructions de la section d'assemblage pour fixer le couvercle de décharge latérale.

⚠ AVERTISSEMENT

N'approchez pas les mains et les pieds de la zone de la goulotte du plateau de coupe. Consultez l'étiquette d'avertissement sur l'appareil.

COUVERCLE DE PAILLAGE

La couverture de paillage est utilisée pour le broyage. Au lieu de recueillir les coupures de gazon dans un bac à herbe ou d'utiliser la goulotte d'évacuation latérale, certains modèles de tondeuses ont la possibilité de refaire circuler les coupures vers la pelouse. C'est ce qu'on appelle le paillage. Fermez le couvercle du broyeur lors du paillage afin que l'herbe coupée ne puisse pas être évacuée par le côté.

LEVIER DE RÉGLAGE DE LA HAUTEUR DE COUPE

Ce produit est conçu avec un réglage en hauteur à double levier. La hauteur de la roue avant et de la roue arrière peut être réglée respectivement au moyen de deux leviers de réglage de la hauteur de coupe situés au-dessus de la roue avant et de la roue arrière. 6 hauteurs de coupe (de 1,25 pouce à 3,75 pouces) sont disponibles. Pour régler la hauteur de coupe, reportez-vous à la section de l'assemblage.

DÉMARREUR À RAPPEL

Le démarreur à rappel est fixé à la poignée supérieure droite. Enfoncez et maintenez la poignée de commande de la lame, puis tirez sur la corde du démarreur à rappel pour démarrer l'appareil.

POIRE D'AMORÇAGE

L'amorce est située sur le côté gauche du moteur. L'amorce est utilisée pour pomper le gaz dans le carburateur et aider au démarrage du moteur.

FUNCTIONNEMENT

⚠ AVERTISSEMENT

Assurez-vous que personne d'autre que l'opérateur ne se trouve à proximité de la tondeuse à gazon pendant le démarrage du moteur ou l'utilisation de la tondeuse. Ne faites jamais tourner le moteur à l'intérieur ou dans des endroits fermés et mal ventilés. Les gaz d'échappement du moteur contiennent du monoxyde de carbone, un gaz inodore et mortel. N'approchez pas les mains, les pieds, les cheveux et les vêtements amples des pièces mobiles du moteur et de la tondeuse.

CARBURANT et HUILE

Voir le manuel d'utilisation du moteur pour les instructions concernant le carburant et l'huile.

POUR DÉMARRER LE MOTEUR

1. Appuyez trois fois sur l'amorce. N'appuyez pas sur l'amorce pour redémarrer un moteur chaud.
2. Debout derrière la tondeuse, tirez la poignée de commande de la lame contre la poignée supérieure (schéma 8).
3. Tout en maintenant le contrôle de lame contre la poignée supérieure, saisissez la poignée du démarreur de recul et tirez la corde d'un coup de bras rapide, continu et complet. En gardant une bonne prise sur la poignée du démarreur, laissez la corde rembobiner lentement. Répétez l'opération jusqu'à ce que le moteur démarre. Laissez la corde se rembobiner à chaque fois lentement.

⚠ AVERTISSEMENT

Si vous appuyez trop souvent sur l'amorce, une quantité excessive de carburant inondera le moteur et il sera difficile de le démarrer.

⚠ AVERTISSEMENT

Gardez une prise ferme sur la poignée du cordon de démarreur pour éviter la rétraction rapide du cordon de démarreur (recul). Une rétraction rapide peut tirer la main et le bras vers le moteur plus vite que vous ne pouvez les lâcher et entraîner des fractures, des contusions ou des entorses.

POUR ARRÊTER LE MOTEUR

1. Relâchez le contrôle de la lame pour arrêter le moteur et la lame.

⚠ AVERTISSEMENT

Attendez que la lame s'arrête complètement avant d'effectuer tout travail sur la tondeuse.

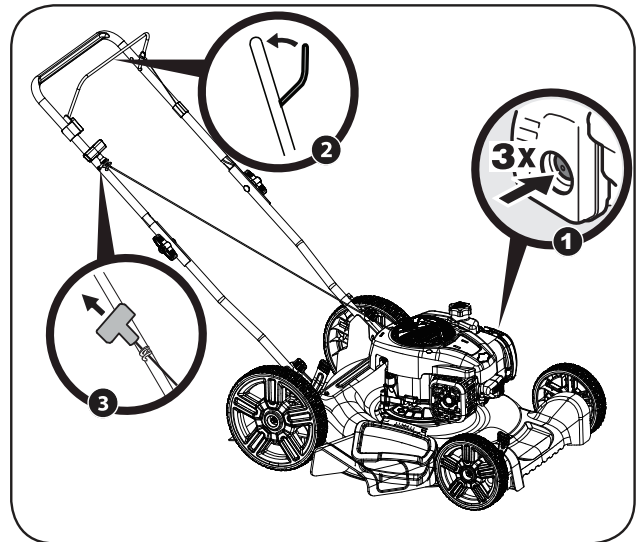


Figure 8

UTILISATION DE LA TONDEUSE À GAZON

Assurez-vous que la pelouse est exempte de pierres, de bâtons, de fils ou d'autres objets qui pourraient endommager la tondeuse à gazon ou le moteur. Ces objets peuvent être projetés accidentellement par la tondeuse dans n'importe quelle direction et causer des blessures graves à l'utilisateur et à d'autres personnes.

Pour une pelouse saine, coupez toujours un tiers ou moins de la longueur totale de l'herbe.

Lorsque vous coupez de l'herbe lourde, réduisez la vitesse de marche pour permettre une coupe plus efficace et une évacuation correcte des déchets de coupe.

Ne coupez pas d'herbe mouillée. Elle collerait au dessous du plateau de coupe et empêcherait le broyage correct des déchets d'herbe.

L'herbe nouvelle ou épaisse peut nécessiter une coupe plus étroite ou une hauteur de coupe plus élevée.

⚠ AVERTISSEMENT

L'utilisation de toute tondeuse à gazon peut entraîner la projection de corps étrangers dans les yeux, ce qui peut gravement endommager les yeux. Portez toujours des lunettes de sécurité lorsque vous utilisez la tondeuse ou lorsque vous effectuez des réglages ou des réparations sur celle-ci.

⚠ AVERTISSEMENT

Si vous heurtez un objet étranger, arrêtez le moteur. Débranchez le fil de la bougie, inspectez soigneusement la tondeuse et réparez les dommages avant de la redémarrer et de la faire fonctionner. Des vibrations importantes sont une indication de dommages. L'appareil doit être inspecté et réparé rapidement. Reportez-vous au manuel du moteur.

RÉPARATION ET ENTRETIEN

AVERTISSEMENT

Avant d'effectuer tout type d'entretien ou de maintenance, débrayez toutes les commandes et arrêtez le moteur. Attendez l'arrêt complet de toutes les pièces mobiles. Débranchez le fil de la bougie et mettez-le à la masse contre le moteur pour éviter tout démarrage intempestif.

Suivez le calendrier d'entretien indiqué ci-dessous. Ce tableau décrit uniquement les directives d'entretien. Utilisez la colonne Journal d'entretien pour garder une trace des tâches d'entretien effectuées. Voir le manuel de l'opérateur du moteur pour les instructions concernant le carburant, l'huile, le filtre à air et les bougies.

Intervalle	Élément	Réparations	Journal d'entretien
Chaque utilisation	1. Niveau d'huile moteur 2. Matériel lâche ou manquant 3. Unité et moteur	1. Vérifier 2. Serrer ou remplacer 3. Propre	
5 premières heures	1. Huile moteur	1. Changement	
Annuellement ou 25 heures	1. Bougie d'allumage 2. Liaisons de commande, pivots et roues 3. Dessous du carter de la tondeuse ²	1. Vérifier 2. Lubrifier avec de l'huile légère 3. Propre	
Annuellement ou 50 heures	1. Filtre à air et pré-nettoyeur (si équipé) ¹ 2. Huile moteur	1. Propre 2. Changement	
Annuellement ou 200 heures	1. Filtre à air et pré-nettoyeur ¹	1. Changement	
Annuellement	1. Bougie d'allumage	1. Remplacer	
Avant le stockage	1. Système de carburant	1. Faites tourner le moteur jusqu'à ce qu'il s'arrête par manque de carburant, ou ajoutez un stabilisateur à un réservoir plein de carburant frais avant le remisage.	

¹ Nettoyez plus souvent dans des conditions poussiéreuses ou en présence de débris en suspension dans l'air.

² Vérifiez et nettoyez plus souvent si la faucheuse est habituellement utilisée dans la configuration de paillage.

AVERTISSEMENT

Arrêtez toujours le moteur, débranchez le fil de la bougie et mettez-le à la masse contre le moteur avant d'effectuer tout type d'entretien sur votre machine.

RECOMMANDATIONS GÉNÉRALES

- Respectez toujours les règles de sécurité lorsque vous effectuez un entretien quelconque.
- La garantie de cette tondeuse à gazon ne couvre pas les éléments qui ont fait l'objet d'un abus ou d'une négligence de la part de l'opérateur. Pour bénéficier pleinement de la garantie, l'utilisateur doit entretenir l'équipement conformément aux instructions données ici.
- Toute modification de la vitesse contrôlée par le moteur annule la garantie du moteur.
- Tous les réglages doivent être vérifiés au moins une fois par saison.
- Vérifiez périodiquement toutes les fixations et assurez-vous qu'elles sont bien serrées.

NETTOYAGE DU MOTEUR

- Tous les jours ou avant chaque utilisation, nettoyez l'herbe, les paillettes ou les débris accumulés sur le moteur. Gardez la liaison, le ressort et les commandes propres. Maintenez la zone autour et derrière le silencieux libre de tout débris combustible.
- Le fait de garder le moteur propre permet à l'air de circuler autour du moteur.
- Les pièces du moteur doivent être maintenues propres pour réduire le risque de surchauffe et d'inflammation des débris accumulés.

ATTENTION

N'utilisez pas d'eau pour nettoyer les pièces du moteur. L'eau pourrait contaminer le circuit d'alimentation en carburant. Utilisez une brosse ou un chiffon sec.

ENTRETIEN DE LA LAME

AVERTISSEMENT

Lorsque vous retirez la lame de coupe pour la remplacer, protégez vos mains avec une paire de gants épais ou utilisez un chiffon épais pour tenir la lame. Ne réparez pas et ne modifiez pas la lame.

Inspectez périodiquement l'adaptateur de la lame pour vérifier qu'il n'y a pas de fissures, surtout si vous heurtez un objet étranger. Remplacez-le si nécessaire. Suivez les étapes ci-dessous pour l'entretien de la lame (schéma 9).

1. Débranchez le capuchon de la bougie d'allumage. Tournez la tondeuse sur le côté en veillant à ce que le filtre à air et le carburateur soient orientés vers le haut.
2. Retirez le boulon et le support de cloche de lame qui maintiennent la lame et l'adaptateur de lame sur le vilebrequin du moteur.
3. Retirez la lame et l'adaptateur du vilebrequin.
4. Retirez la lame de l'adaptateur pour tester l'équilibre. Vérifiez l'équilibre de la lame sur un tournevis à tige ronde. Retirez le métal du côté lourd jusqu'à ce que l'équilibre soit parfait. Lorsque vous affûtez la lame, respectez l'angle d'affûtage d'origine. Affûtez chaque bord de coupe de manière égale pour que la lame reste équilibrée.
5. Lubrifiez le vilebrequin du moteur et la surface intérieure de l'adaptateur de lame avec une huile légère. Faites glisser l'adaptateur de lame sur le vilebrequin du moteur. Placez la lame sur l'adaptateur de façon à ce que le côté de la lame marqué "Bottom" (ou avec la référence) soit tourné vers le sol lorsque la tondeuse est en position de fonctionnement. Assurez-vous que la lame est alignée et qu'elle repose sur les brides de l'adaptateur de lame.
6. Placez le support de la cloche de la lame sur la lame. Aligned les encoches du support de la cloche de la lame avec les petits trous de la lame.
7. Remplacez le boulon hexagonal et serrez-le au couple : 29,5 à 33,2 pi-livre (40-45 Nm) max.

AVERTISSEMENT

Une lame déséquilibrée provoque des vibrations excessives lorsqu'elle tourne à grande vitesse. Elle risque d'endommager la tondeuse et de se briser et de provoquer des blessures.

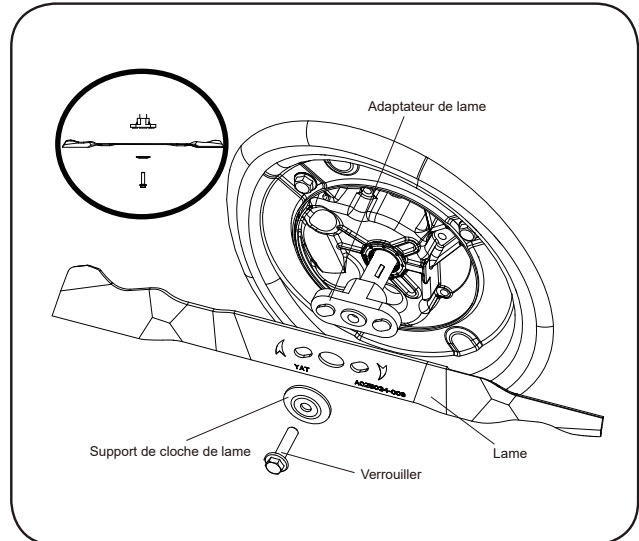


Figure 9

ENTREPOSAGE HORS SAISON

AVERTISSEMENT

Ne remisez jamais une tondeuse à gazon avec du carburant dans le réservoir, à l'intérieur ou dans des endroits mal ventilés où les vapeurs de carburant peuvent atteindre une flamme nue, une étincelle ou une veilleuse comme sur une chaudière, un chauffe-eau, un sèche-linge ou un appareil à gaz.

PRÉPARATION DU MOTEUR

Pour les moteurs stockés depuis plus de 30 jours :

- Pour éviter la formation de gomme dans le circuit de carburant ou sur les pièces du carburateur, faites tourner le moteur jusqu'à ce qu'il s'arrête par manque de carburant ou utilisez de l'essence mélangée à un additif pour gaz. Si vous utilisez un additif pour gaz, faites tourner le moteur pendant plusieurs minutes pour faire circuler l'additif dans le carburateur, après quoi le moteur et le carburant peuvent être stockés plus de 30 jours.
- Pendant que le moteur est encore chaud, changez l'huile.
- Nettoyez le moteur des débris de surface.

PRÉPARATION DE LA TONDEUSE À GAZON

- Nettoyez et lubrifiez soigneusement la tondeuse comme indiqué dans les instructions de lubrification.
- N'utilisez pas de nettoyeur haute pression ou de tuyau d'arrosage pour nettoyer votre appareil.
- Enduisez la lame de coupe de la tondeuse de graisse pour châssis afin d'éviter la rouille.
- Reportez-vous à la section Préparation du moteur pour connaître les instructions de rangement correctes du moteur.
- Rangez la tondeuse dans un endroit sec et propre. Ne la rangez pas à côté de matériaux corrosifs, tels que des engrais.
- Lorsque vous entreposez un équipement motorisé, quel qu'il soit, dans un hangar de stockage métallique ou mal ventilé, veillez à le protéger contre la rouille. Enduisez l'équipement d'une huile légère ou de silicone, en particulier les câbles et toutes les pièces mobiles de votre tondeuse à gazon, avant de le ranger.

AVERTISSEMENT

Dévissez le bouton de fixation de la poignée inférieure et repliez la poignée pour la ranger. Insérez le bouton dans le trou pour éviter qu'il ne soit mal placé.

GUIDE DE DÉPANNAGE

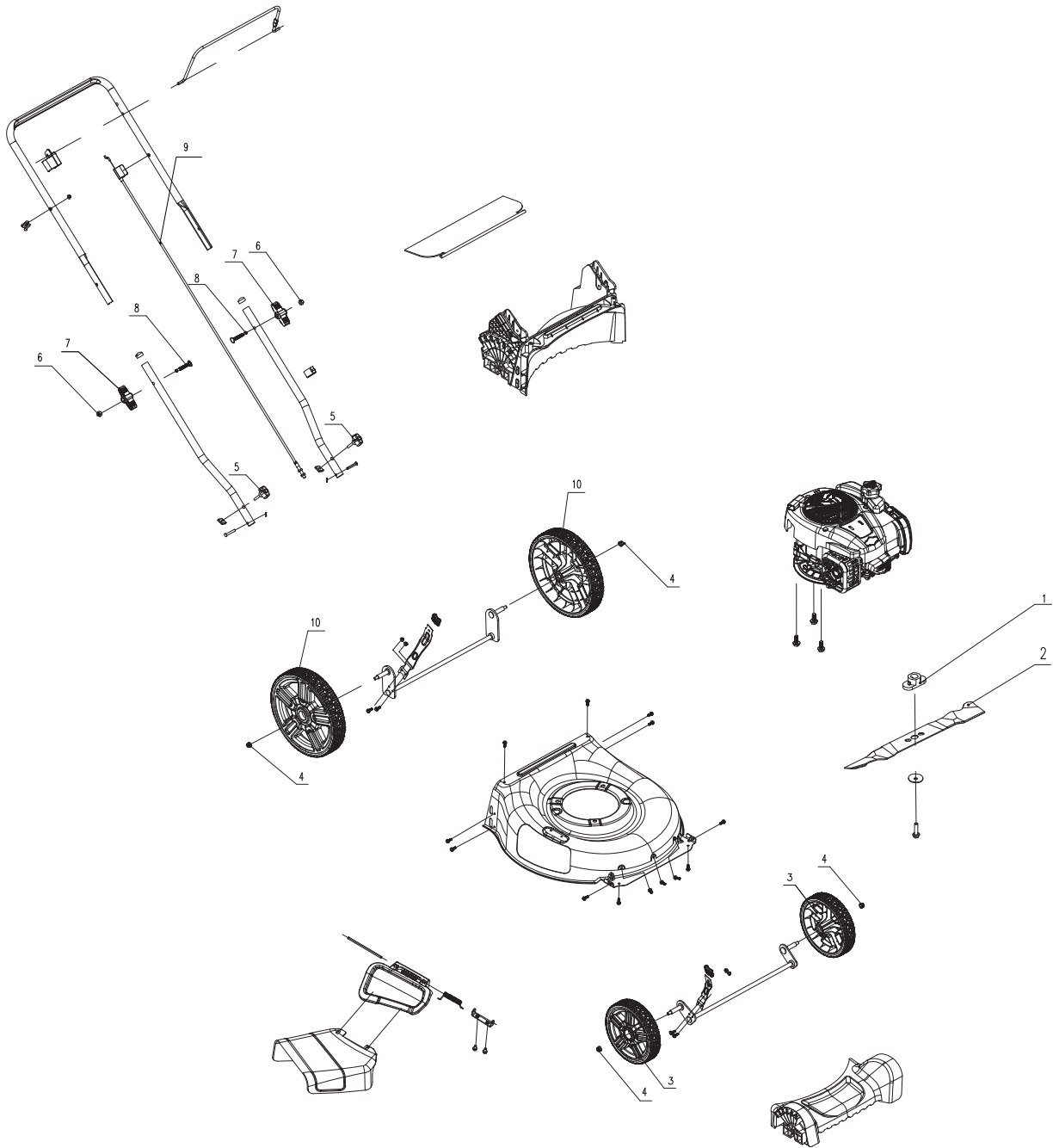
AVERTISSEMENT

Débranchez le fil de la bougie et mettez-le à la masse contre le moteur pour éviter tout démarrage intempestif. Avant d'effectuer tout type d'entretien ou de maintenance, débrayez toutes les commandes et arrêtez le moteur. Attendez l'arrêt complet de toutes les pièces mobiles. Portez toujours des lunettes de sécurité pendant le fonctionnement ou lors de tout réglage ou réparation.

Cette section traite des problèmes d'entretien mineurs. Consultez le manuel du moteur pour localiser le concessionnaire d'entretien Briggs and Stratton le plus proche.

Problème	Cause	Remède
Le moteur ne démarre pas	<ol style="list-style-type: none"> 1. La commande de la lame est désengagée. 2. Le capuchon de la bougie d'allumage est débranché. 3. Réservoir de carburant vide ou carburant éventé. 4. Moteur non amorcé (s'il est équipé d'une amorce). 5. Bougie d'allumage défectueuse. 6. Moteur noyé. 7. Conduite de carburant bouchée. 	<ol style="list-style-type: none"> 1. Engagez le contrôle des lames. 2. Connectez le fil à la botte d'allumage. 3. Remplissez le réservoir avec de l'essence propre et fraîche. 4. Amorcez le moteur comme indiqué dans la section Fonctionnement. 5. Nettoyez, réglez l'écartement ou remplacez-le. 6. Attendez quelques minutes avant de redémarrer. 7. Contactez votre revendeur pour nettoyer la conduite de carburant.
Le moteur tourne de façon irrégulière	<ol style="list-style-type: none"> 1. Le culot de la bougie d'allumage est desserré. 2. Carburant éventé. 3. L'évent du bouchon de gaz est bouché. 4. Eau ou saleté dans le système de carburant. 5. Filtre à air encrassé. 6. Conduite de carburant bouchée. 	<ol style="list-style-type: none"> 1. Connectez et serrez le culot de la bougie. 2. Remplissez le réservoir avec de l'essence propre et fraîche. 3. Dégagez l'évent. 4. Faites tourner le moteur jusqu'à ce qu'il s'arrête par manque de carburant. Remplissez le réservoir avec de l'essence fraîche. 5. Reportez-vous au filtre à air dans la section Entretien du moteur. 6. Contactez votre revendeur pour nettoyer la conduite de carburant.
Le moteur surchauffe	<ol style="list-style-type: none"> 1. Niveau d'huile moteur bas. 2. Débit d'air restreint. 	<ol style="list-style-type: none"> 1. Remplissez le carter avec de l'huile appropriée. 2. Nettoyez la zone autour et sur le dessus du moteur.
Sauts occasionnels (hésitations)	<ol style="list-style-type: none"> 1. L'écartement des bougies d'allumage est trop faible. 	<ol style="list-style-type: none"> 1. Faites régler l'écartement par un spécialiste qualifié.
Mauvais ralenti	<ol style="list-style-type: none"> 1. Bougie d'allumage encrassée, défectueuse ou écartement trop important. 2. Filtre à air encrassé. 	<ol style="list-style-type: none"> 1. Réglez l'écartement ou remplacez la bougie. 2. Reportez-vous au filtre à air dans la section Entretien du moteur.
Vibrations excessives	<ol style="list-style-type: none"> 1. Lame de coupe desserrée ou déséquilibrée. 2. Lame de coupe inclinée. 	<ol style="list-style-type: none"> 1. Serrez la lame et l'adaptateur. Équilibrez la lame. 2. Remplacez la lame.

PART



No.	Part #	Description	Qty.
1	A025036-006-00	Adaptateur de lame	1
2	A025034-009-00	Lame	1
3	A025034-003-00	Roue avant	2
4	8NE-08D01	Noix	4
5	A025034-011-00	Bouton de fixation de la poignée	2
6	8NA-08D	Noix	2
7	A025036-010-00	Bouton de connexion de la poignée	2
8	A025036-004-00	Verrouiller	2
9	A025036-011-00	Assemblage de câbles	1
10	A025034-004-00	Roue arrière	2

GARANTIE

GARANTIE LIMITÉE DE DEUX ANS

Garantie limitée de deux ans sur tous les appareils à essence de la série B&S de Senix.

Ce produit Senix est garanti **PENDANT DEUX ANS** à compter de la date d'achat d'origine, contre les défauts de matériaux ou de fabrication. Le produit défectueux sera réparé gratuitement.*

Cette garantie ne couvre pas l'usure normale des pièces et des composants tels que la chaîne de coupe, la ligne ou les lames, et cette garantie ne couvre pas les frais de transport du produit pour la garantie ou l'entretien.

La garantie est sujette aux deux conditions suivantes :

- En ce qui concerne les pièces du moteur, veuillez vous référer au manuel du moteur pour trouver le concessionnaire agréé le plus proche pour tout problème lié à la garantie.
- La garantie s'applique à l'acheteur original au détail et n'est pas transférable *
- Enregistrement de la garantie sur www.senixtools.com
- Seuls les accessoires Senix authentiques ont été utilisés avec ou sur ce produit.
- L'outil a été soumis à une usure normale.
- L'outil n'a pas été utilisé à des fins commerciales ou professionnelles
- L'outil n'a pas été utilisé à des fins locatives.
- Cette garantie ne couvre que les défauts résultant d'une utilisation normale et ne couvre pas les dysfonctionnements, défaillances ou défauts résultant d'une utilisation incorrecte, d'un abus (surcharge du produit, exposition à l'eau ou à la pluie), d'une négligence ou d'un défaut d'installation, d'entretien ou de stockage. .

Pour trouver le fournisseur de services Senix le plus proche, appelez le numéro gratuit 1-800-261-3981 ou envoyez-nous un courriel à senix.service@yat.com.

Limitations supplémentaires

Limitée à deux ans à compter de la date d'achat sur les équipements électriques. Le fabricant n'est pas responsable des dommages directs, indirects, accessoires ou consécutifs. Certains états et provinces n'autorisent pas les limitations sur la durée d'une garantie implicite et / ou n'autorisent pas l'exclusion ou la limitation des dommages accessoires, et dans ce cas, les restrictions décrites précédemment ne s'appliquent pas.

SENIX TOOLS décline toute responsabilité en matière de responsabilité civile découlant d'une utilisation abusive ou non conforme à l'utilisation et à l'entretien adéquats de la machine tels que décrits dans le manuel de l'utilisateur.

SENIX TOOLS n'est pas responsable des dommages directs, indirects, accidentels ou consécutifs.

Après l'achat, le fabricant recommande un entretien approprié de la machine et de lire le manuel de l'utilisateur avant d'utiliser la machine.

* Un reçu d'achat original peut être exigé comme preuve d'achat.

Pour obtenir un soutien à la clientèle, veuillez appeler le 1-800-261-3981 ou nous envoyer un courriel à senix.service@yat.com.

